



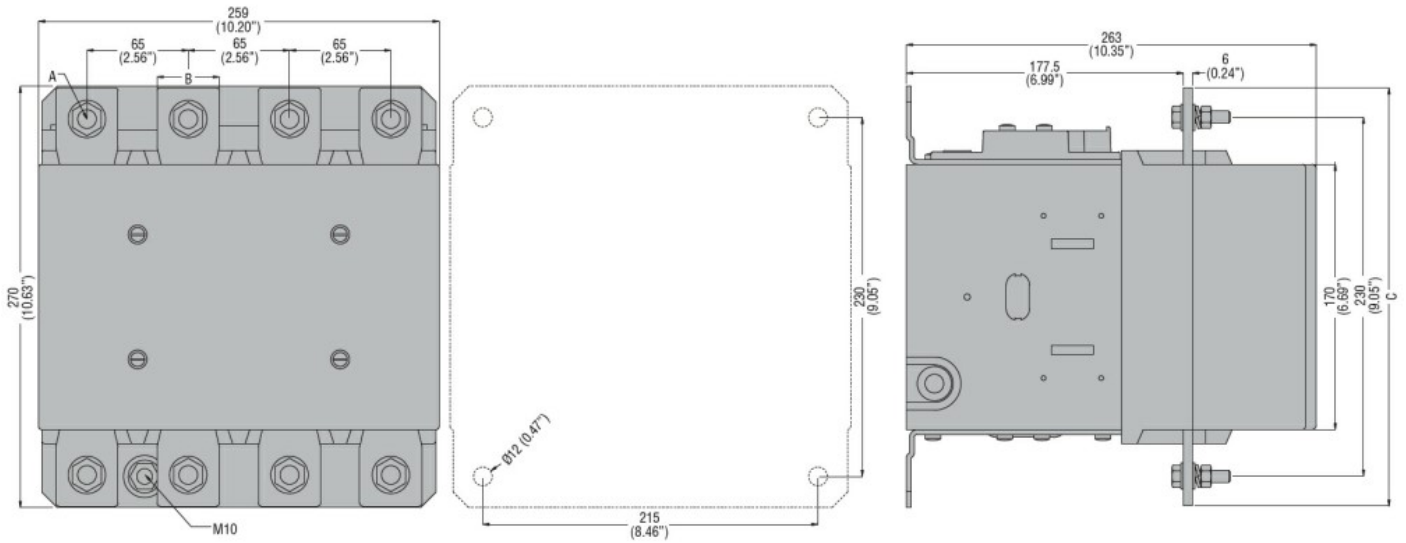
Contact characteristics

Number of poles	Nr.	4
Rated insulation voltage U_i IEC/EN	V	1000
Rated impulse withstand voltage U_{imp}	kV	8
Operational frequency	min	Hz 25
	max	Hz 400
IEC Conventional free air thermal current $I_{th} \leq 40^\circ\text{C}$	A	700
Operational current I_e	AC-1 ($\leq 40^\circ\text{C}$)	A 700
	AC-1 ($\leq 55^\circ\text{C}$)	A 550
	AC-1 ($\leq 70^\circ\text{C}$)	A 500
	AC-3 ($\leq 440\text{V} \leq 55^\circ\text{C}$)	A 520
	AC-4 (400V)	A 240
Rated operational power AC-1 ($T \leq 40^\circ\text{C}$)	230V	kW 252
	400V	kW 438
	500V	kW 575
	690V	kW 755
IEC max current I_e in DC1 with $L/R \leq 1\text{ms}$ with 1 poles in series	75V	A 650
	110V	A 320
	220V	A --
	330V	A --
	460V	A --
IEC max current I_e in DC1 with $L/R \leq 1\text{ms}$ with 2 poles in series	75V	A 650
	110V	A 550
	220V	A 450
	330V	A --
	460V	A --
IEC max current I_e in DC1 with $L/R \leq 1\text{ms}$ with 3 poles in series	75V	A 650
	110V	A 600
	220V	A 600
	330V	A 450
	460V	A --
IEC max current I_e in DC1 with $L/R \leq 1\text{ms}$ with 4 poles in series	75V	A 650
	110V	A 600
	220V	A 600
	330V	A 600
	460V	A 450
IEC max current I_e in DC3-DC5 with $L/R \leq 15\text{ms}$ with 1 poles in series	75V	A 550

	110V	A	320
	220V	A	--
	330V	A	--
	460V	A	--
IEC max current I _e in DC3-DC5 with L/R ≤ 15ms with 2 poles in series			
	75V	A	550
	110V	A	550
	220V	A	450
	330V	A	--
	460V	A	--
IEC max current I _e in DC3-DC5 with L/R ≤ 15ms with 3 poles in series			
	75V	A	550
	110V	A	550
	220V	A	550
	330V	A	450
	460V	A	--
IEC max current I _e in DC3-DC5 with L/R ≤ 15ms with 4 poles in series			
	75V	A	550
	110V	A	550
	220V	A	550
	330V	A	450
	460V	A	450
Short-time allowable current for 10s (IEC/EN60947-1)		A	4050
Protection fuse			
	gG (IEC)	A	800
	aM (IEC)	A	500
Making capacity (RMS value)		A	5000
Breaking capacity at voltage			
	440V	A	5000
	500V	A	4500
	690V	A	4000
Resistance per pole (average value)		mΩ	0.14
Power dissipation per pole (average value)			
	I _{th}	W	68.6
	AC-3	W	35
Tightening torque for terminals			
	min	Nm	35
	max	Nm	35
	min	I _{bin}	25.8
	max	I _{bin}	25.8
Tightening torque for coil terminal			
	min	Nm	1
	max	Nm	1
	min	I _{bin}	0.74
	max	I _{bin}	0.74
Max number of wires simultaneously connectable		Nr.	2
Conductor section			
	AWG/Kcmil		
	max	2x 500 kcmil	
Power terminal protection according to IEC/EN 60529		IP00	
Mechanical features			
Operating position			
	normal		Vertical plan

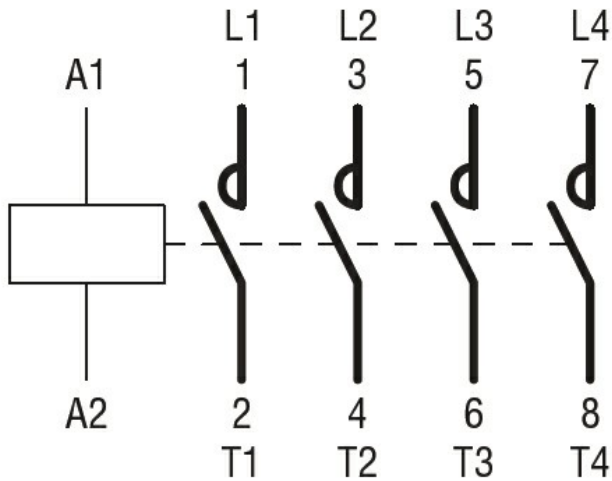
	allowable		±30°
Fixing			Screw
Weight		g	2163
Operations			
Mechanical life		cycles	5000000
Electrical life		cycles	700000
Safety related data			
Performance level B10d according to EN/ISO 13489-1			
	rated load	cycles	700000
	mechanical load	cycles	5000000
Mirror contacts according to IEC/EN 60947-4-1 annex F			Yes
EMC compatibility			yes
AC coil operating			
Rated AC voltage at 50/60Hz, 60Hz			
	min	V	440
	max	V	415
AC operating voltage			
of 50/60Hz coil powered at 50Hz			
pick-up			
	min	%Us	80
	max	%Us	110
drop-out			
	min	%Us	20
	max	%Us	60
of 50/60Hz coil powered at 60Hz			
pick-up			
	min	%Us	80
	max	%Us	110
drop-out			
	min	%Us	20
	max	%Us	60
of 60Hz coil powered at 60Hz			
pick-up			
	min	%Us	80
	max	%Us	110
drop-out			
	min	%Us	20
	max	%Us	60
AC average coil consumption at 20°C			
of 50/60Hz coil powered at 50Hz			
	in-rush	VA	400
	holding	VA	18
of 50/60Hz coil powered at 60Hz			
	in-rush	VA	400
	holding	VA	18
Dissipation at holding ≤20°C 50Hz			
		W	18
DC coil operating			
DC rated control voltage			
	min	V	440
	max	V	415
max		V	415
DC operating voltage			
pick-up			
	min	%Us	80

			max	%Us	110
drop-out			min	%Us	20
			max	%Us	60
Average coil consumption $\leq 20^{\circ}\text{C}$					
		in-rush	W		400
		holding	W		18
Max cycles frequency					
Mechanical operation				cycles/h	1200
Operating times					
Average time for Us control					
	in AC				
		Closing NO	min	ms	110
			max	ms	180
		Opening NO	min	ms	60
			max	ms	100
	in DC				
		Closing NO	min	ms	110
			max	ms	180
		Opening NO	min	ms	60
			max	ms	100
UL technical data					
Rated operational voltage AC (UL)				V	600
General USE					
	Contactor		AC current	A	700
Short-circuit protection fuse, 600V					
	Standard fault	Short circuit current	kA		18
		Fuse rating	A		1200
		Fuse class			L
Ambient conditions					
Temperature					
	Operating temperature		min	$^{\circ}\text{C}$	-50
			max	$^{\circ}\text{C}$	70
	Storage temperature		min	$^{\circ}\text{C}$	-60
			max	$^{\circ}\text{C}$	80
Max altitude				m	3000
Resistance & Protection					
Pollution degree					3
Dimensions					



CONTACTOR TYPE	A	B	C
B500	M10	35 (1.38")	265 (10.43")
B630	M12	40 (1.57")	270 (10.63")

Wiring diagrams



Certifications and compliance

Compliance

CSA C22.2 n° 60947-1
CSA C22.2 n° 60947-4-1
IEC/EN 60947-1
IEC/EN 60947-4-1
UL 60947-1
UL 60947-4-1

Certificates

CCC
cULus
EAC

ETIM classification

ETIM 8.0

EC000066 -
Power contactor,
AC switching