



Contact characteristics

Number of poles	Nr.	3
Rated insulation voltage U _i IEC/EN	V	1000 (power circuit)
Rated impulse withstand voltage U _{imp}	kV	8
Operational frequency	min	Hz 25
	max	Hz 400
IEC Conventional free air thermal current I _{th} ≤ 40°C	A	1600
Operational current I _e	AC-1 (≤40°C)	A 1600
	AC-1 (≤55°C)	A 1360
	AC-1 (≤70°C)	A 1120
Rated operational power AC-1 (T≤40°C)	230V	kW 550
	400V	kW 950
	500V	kW 1200
	690V	kW 1650
	1000V	kW 2600
Short-time allowable current for 10s (IEC/EN60947-1)	A	8300
Protection fuse	gG (IEC)	A 1600
		A 6300
Making capacity (RMS value)		A 6300
Breaking capacity at voltage	440V	A 6300
	500V	A 5600
	690V	A 5000
Resistance per pole (average value)	mΩ	7
Power dissipation per pole (average value)	I _{th}	W 180
Tightening torque for terminals	min	Nm 35
	max	Nm 35
	min	lbin 25.8
	max	lbin 25.8
Max number of wires simultaneously connectable	Nr.	2
Power terminal protection according to IEC/EN 60529		IP00

Mechanical features

Operating position	normal	Vertical plan
	allowable	±30°
Fixing		Screw
Weight	g	4915

Auxiliary contact characteristics

Thermal current I _{th}	A	16
---------------------------------	---	----

IEC/EN 60947-5-1 designation	A600 - P600		
Operating current AC15	230V	A	3
	400V	A	1.9
	500V	A	1.4
Operating current DC12	110V	A	5.7
Operating current DC13	24V	A	5.7
	48V	A	2.9
	60V	A	2.3
	125V	A	0.6
	220V	A	0.2
	600V	A	1.2

Operations

Mechanical life	cycles	5000000
Electrical life	cycles	700000

Safety related data

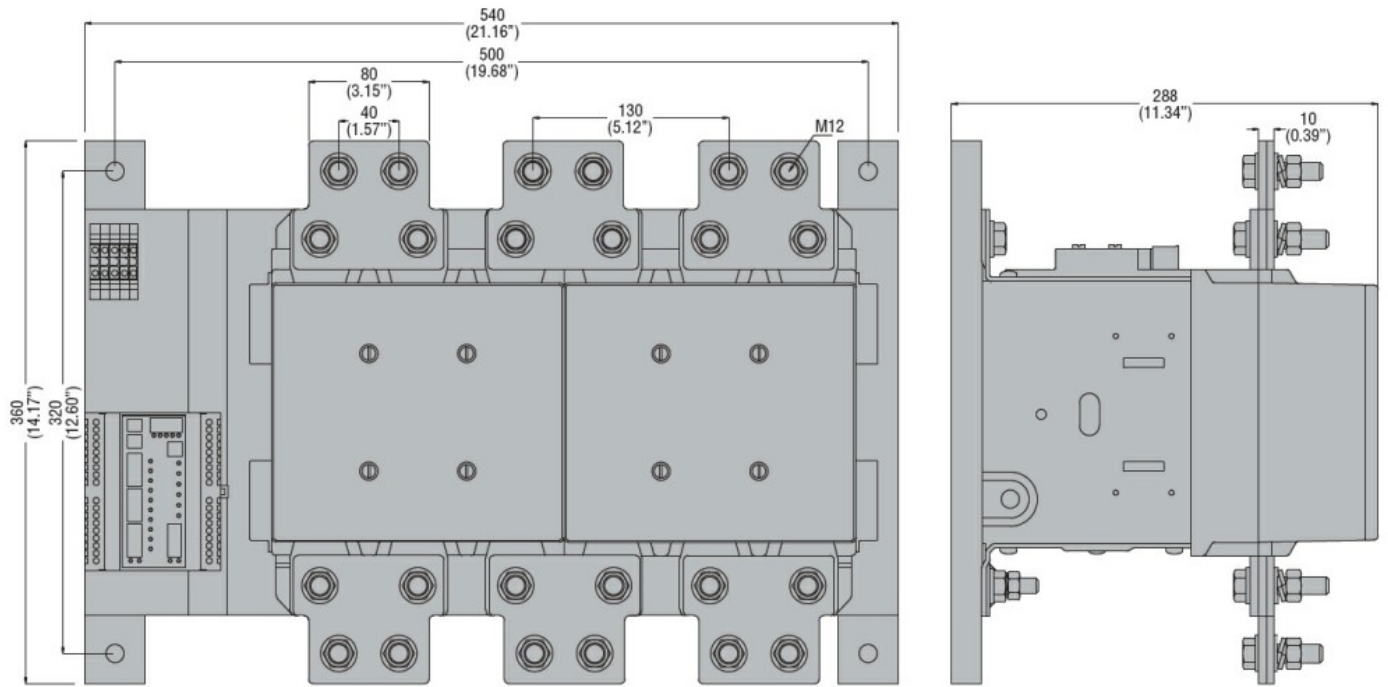
Performance level B10d according to EN/ISO 13489-1	rated load mechanical load	cycles cycles	700000 5000000
Mirror contacts according to IEC/EN 60947-4-1 annex F			Yes
EMC compatibility			yes

AC coil operating

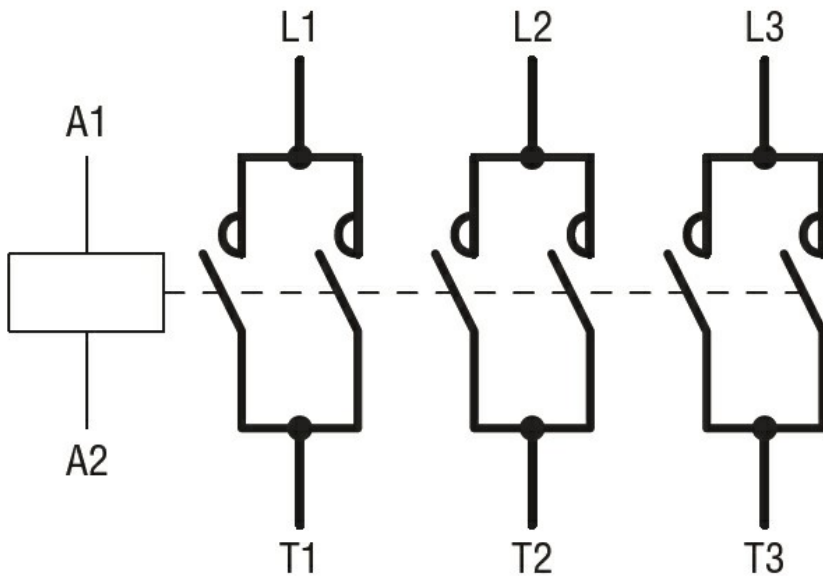
Rated AC voltage at 50/60Hz, 60Hz	min	V	220
	max	V	240
AC operating voltage			
of 50/60Hz coil powered at 50Hz			
pick-up	min	%Us	80
	max	%Us	110
drop-out	min	%Us	20
	max	%Us	60
of 50/60Hz coil powered at 60Hz			
pick-up	min	%Us	80
	max	%Us	110
drop-out	min	%Us	20
	max	%Us	60
of 60Hz coil powered at 60Hz			
pick-up	min	%Us	80
	max	%Us	110
drop-out	min	%Us	20
	max	%Us	60

AC average coil consumption at 20°C			
of 50/60Hz coil powered at 50Hz	in-rush	VA	800
	holding	VA	45
of 50/60Hz coil powered at 60Hz			

	in-rush	VA	800
	holding	VA	45
<hr/>			
Dissipation at holding ≤20°C 50Hz		W	40
DC coil operating			
DC rated control voltage			
	min	V	220
	max	V	240
<hr/>			
max			
DC operating voltage			
	pick-up		
	min	%Us	80
Max cycles frequency			
Mechanical operation		cycles/h	1200
Operating times			
Average time for Us control			
	in AC		
	Closing NO		
	min	ms	300
	max	ms	450
	Opening NO		
	min	ms	70
	max	ms	130
<hr/>			
	in DC		
	Closing NO		
	min	ms	300
	max	ms	450
	Opening NO		
	min	ms	70
	max	ms	130
UL technical data			
Rated operational voltage AC (UL)		V	600
Contact rating of auxiliary contacts according to UL		A600 - P600	
Ambient conditions			
Temperature			
	Operating temperature		
	min	°C	-50
	max	°C	60
<hr/>			
	Storage temperature		
	min	°C	-60
	max	°C	80
<hr/>			
Max altitude		m	3000
Resistance & Protection			
Pollution degree		3	
Dimensions			



Wiring diagrams



Certifications and compliance

Compliance

CSA C22.2 n° 60947-1

CSA C22.2 n° 60947-4-1

IEC/EN 60947-1

IEC/EN 60947-4-1

UL 60947-1

UL 60947-4-1

Certificates

/

ETIM classification

ETIM 8.0

EC000066 -
Power contactor,
AC switching