



Contact characteristics

Number of poles	Nr.	3
Rated insulation voltage U _i IEC/EN	V	1000 (power circuit)
Rated impulse withstand voltage U _{imp}	kV	8
Operational frequency	min	Hz 25
	max	Hz 400
IEC Conventional free air thermal current I _{th} ≤ 40°C	A	1250
Operational current I _e	AC-1 (≤40°C)	A 1250
	AC-1 (≤55°C)	A 1050
	AC-1 (≤70°C)	A 880
Rated operational power AC-1 (T≤40°C)	230V	kW 480
	400V	kW 830
	500V	kW 1100
	690V	kW 1450
	1000V	kW 2000
Short-time allowable current for 10s (IEC/EN60947-1)	A	6500
Protection fuse	gG (IEC)	A 1250
		A 6300
Making capacity (RMS value)	A	6300
Breaking capacity at voltage	440V	A 6300
	500V	A 5600
	690V	A 5000
Resistance per pole (average value)	mΩ	7
Power dissipation per pole (average value)	I _{th}	W 110
Tightening torque for terminals	min	Nm 35
	max	Nm 35
	min	lbin 25.8
	max	lbin 25.8
Max number of wires simultaneously connectable	Nr.	2
Conductor section	AWG/Kcmil	
	max	2x 1500kcmil
Power terminal protection according to IEC/EN 60529		IP00

Mechanical features

Operating position	normal	Vertical plan
	allowable	±30°
Fixing		Screw

Weight		g	4820
Auxiliary contact characteristics			
Thermal current Ith		A	16
IEC/EN 60947-5-1 designation			A600 - P600
Operating current AC15	230V	A	3
	400V	A	1.9
	500V	A	1.4
Operating current DC12	110V	A	5.7
Operating current DC13	24V	A	5.7
	48V	A	2.9
	60V	A	2.3
	125V	A	0.6
	220V	A	0.2
	600V	A	1.2
Operations			
Mechanical life		cycles	5000000
Electrical life		cycles	700000
Safety related data			
Performance level B10d according to EN/ISO 13489-1			
	rated load	cycles	700000
	mechanical load	cycles	5000000
Mirror contacts according to IEC/EN 60947-4-1 annex F			Yes
EMC compatibility			yes
AC coil operating			
Rated AC voltage at 50/60Hz, 60Hz	min	V	220
	max	V	240
AC operating voltage			
of 50/60Hz coil powered at 50Hz			
pick-up	min	%Us	80
	max	%Us	110
drop-out	min	%Us	20
	max	%Us	60
of 50/60Hz coil powered at 60Hz			
pick-up	min	%Us	80
	max	%Us	110
drop-out	min	%Us	20
	max	%Us	60
of 60Hz coil powered at 60Hz			
pick-up	min	%Us	80
	max	%Us	110
drop-out	min	%Us	20
	max	%Us	60
AC average coil consumption at 20°C			

of 50/60Hz coil powered at 50Hz

in-rush	VA	800
holding	VA	45

of 50/60Hz coil powered at 60Hz

in-rush	VA	800
holding	VA	45

Dissipation at holding ≤20°C 50Hz

W	40
---	----

DC coil operating

DC rated control voltage

min	V	220
max	V	240

max

V	240
---	-----

DC operating voltage

pick-up

min	%U _s	80
-----	-----------------	----

Max cycles frequency

Mechanical operation

cycles/h	1200
----------	------

Operating times

Average time for U_s control

in AC

Closing NO

min	ms	300
max	ms	450

Opening NO

min	ms	70
max	ms	130

in DC

Closing NO

min	ms	300
max	ms	450

Opening NO

min	ms	70
max	ms	130

UL technical data

Rated operational voltage AC (UL)

V	600
---	-----

Contact rating of auxiliary contacts according to UL

A600 - P600

Ambient conditions

Temperature

Operating temperature

min	°C	-50
max	°C	60

Storage temperature

min	°C	-60
max	°C	80

Max altitude

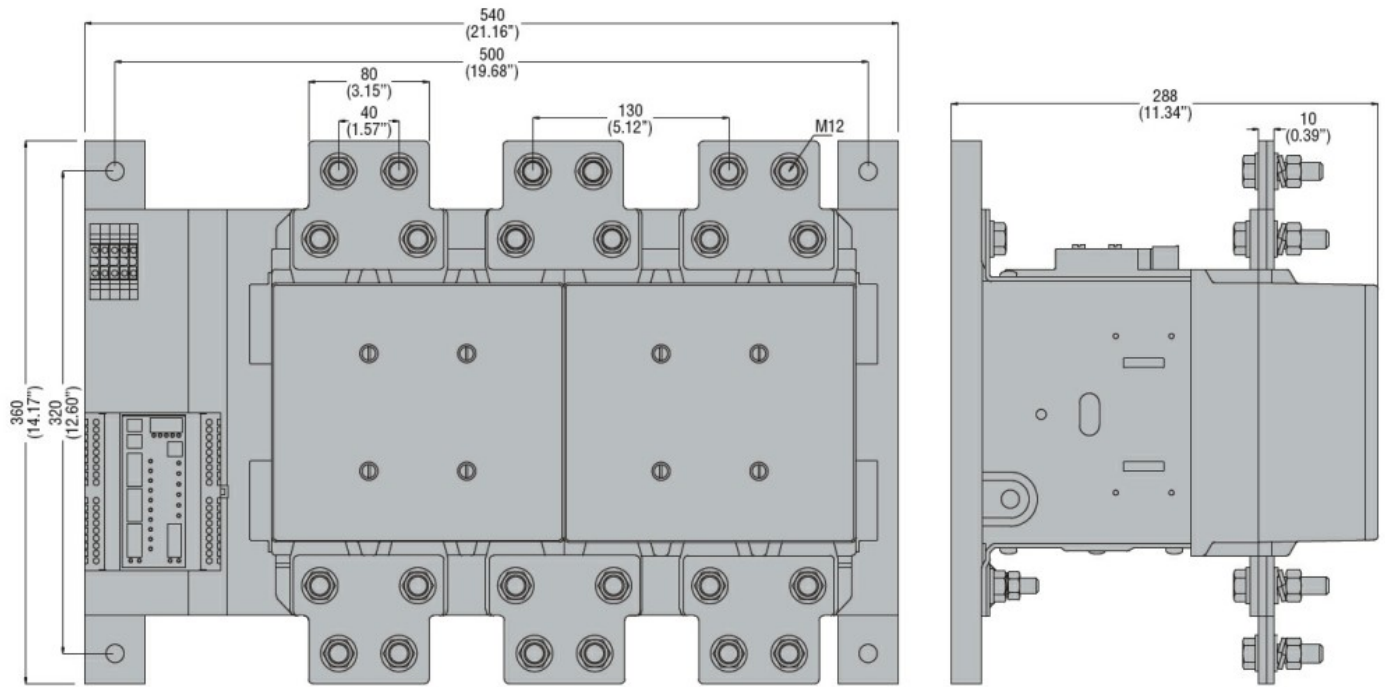
m	3000
---	------

Resistance & Protection

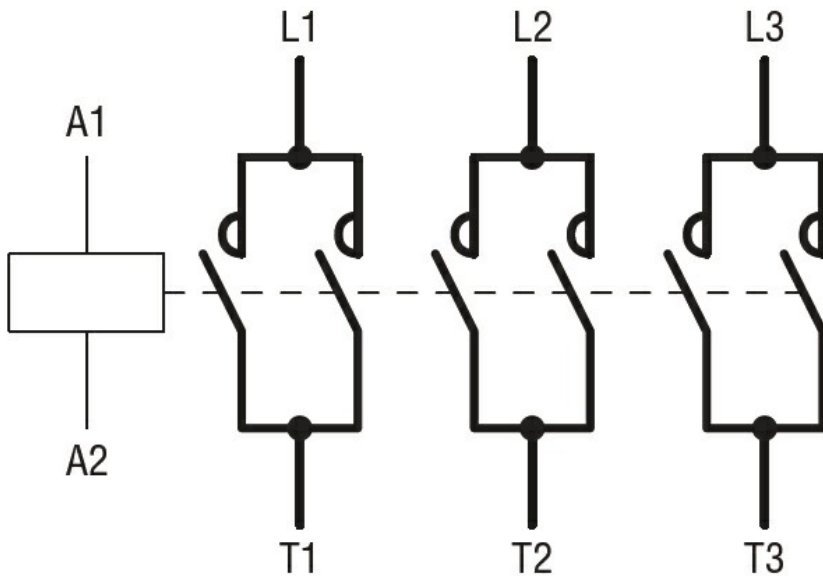
Pollution degree

3

Dimensions



Wiring diagrams



Certifications and compliance

Compliance

CSA C22.2 n° 60947-1

CSA C22.2 n° 60947-4-1

IEC/EN 60947-1

IEC/EN 60947-4-1

UL 60947-1

UL 60947-4-1

Certificates

/

ETIM classification

ETIM 8.0

EC000066 -
Power contactor,
AC switching