



Contact characteristics			
Number of poles		Nr.	3
Rated insulation voltage U _i IEC/EN		V	1000 (power circuit)
Rated impulse withstand voltage U _{imp}		kV	8
Operational frequency	min	Hz	25
	max	Hz	400
IEC Conventional free air thermal current I _{th} ≤ 40°C		A	1250
Operational current I _e	AC-1 (≤40°C)	A	1250
	AC-1 (≤55°C)	A	1050
	AC-1 (≤70°C)	A	880
Rated operational power AC-1 (T≤40°C)	230V	kW	480
	400V	kW	830
	500V	kW	1100
	690V	kW	1450
	1000V	kW	2000
Short-time allowable current for 10s (IEC/EN60947-1)		A	6500
Protection fuse		gG (IEC)	A
			A
Making capacity (RMS value)		A	6300
Breaking capacity at voltage	440V	A	6300
	500V	A	5600
	690V	A	5000
Resistance per pole (average value)		mΩ	7
Power dissipation per pole (average value)		I _{th}	W
			110
Tightening torque for terminals	min	Nm	35
	max	Nm	35
	min	lbin	25.8
	max	lbin	25.8
Max number of wires simultaneously connectable		Nr.	2
Conductor section	AWG/Kcmil		
	max		2x 1500kcmil
Power terminal protection according to IEC/EN 60529			IP00

Mechanical features			
Operating position	normal		Vertical plan
	allowable		±30°
Fixing			Screw

Weight		g	4790
Auxiliary contact characteristics			
Thermal current Ith		A	16
IEC/EN 60947-5-1 designation			A600 - P600
Operating current AC15	230V	A	3
	400V	A	1.9
	500V	A	1.4
	Operating current DC12		
	110V	A	5.7
Operating current DC13	24V	A	5.7
	48V	A	2.9
	60V	A	2.3
	125V	A	0.6
	220V	A	0.2
	600V	A	1.2
Operations			
Mechanical life		cycles	5000000
Electrical life		cycles	700000
Safety related data			
Performance level B10d according to EN/ISO 13489-1			
	rated load	cycles	700000
	mechanical load	cycles	5000000
Mirror contacts according to IEC/EN 60947-4-1 annex F			Yes
EMC compatibility			yes
AC coil operating			
Rated AC voltage at 50/60Hz, 60Hz	min	V	110
	max	V	125
AC operating voltage			
of 50/60Hz coil powered at 50Hz	pick-up	min	%Us 80
		max	%Us 110
	drop-out	min	%Us 20
		max	%Us 60
of 50/60Hz coil powered at 60Hz	pick-up	min	%Us 80
		max	%Us 110
	drop-out	min	%Us 20
		max	%Us 60
of 60Hz coil powered at 60Hz	pick-up	min	%Us 80
		max	%Us 110
	drop-out	min	%Us 20
		max	%Us 60
AC average coil consumption at 20°C			

of 50/60Hz coil powered at 50Hz

in-rush	VA	800
holding	VA	45

of 50/60Hz coil powered at 60Hz

in-rush	VA	800
holding	VA	45

Dissipation at holding $\leq 20^{\circ}\text{C}$ 50Hz

W	40
---	----

DC coil operating

DC rated control voltage

min	V	110
max	V	125
max	V	125

max

DC operating voltage

pick-up

min	%Us	80
-----	-----	----

Max cycles frequency

Mechanical operation

cycles/h	1200
----------	------

Operating times

Average time for Us control

in AC

Closing NO

min	ms	300
max	ms	450

Opening NO

min	ms	70
max	ms	130

in DC

Closing NO

min	ms	300
max	ms	450

Opening NO

min	ms	70
max	ms	130

UL technical data

Rated operational voltage AC (UL)

V	600
---	-----

Contact rating of auxiliary contacts according to UL

A600 - P600

Ambient conditions

Temperature

Operating temperature

min	$^{\circ}\text{C}$	-50
max	$^{\circ}\text{C}$	60

Storage temperature

min	$^{\circ}\text{C}$	-60
max	$^{\circ}\text{C}$	80

Max altitude

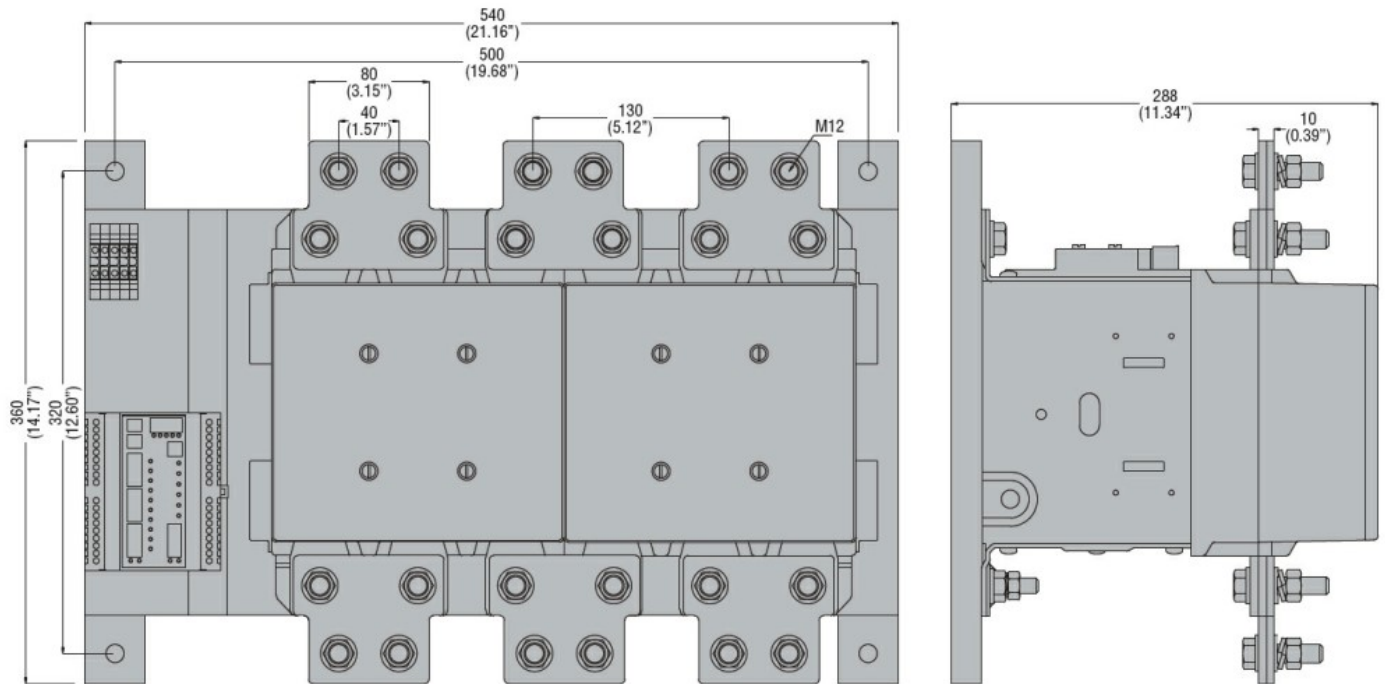
m	3000
---	------

Resistance & Protection

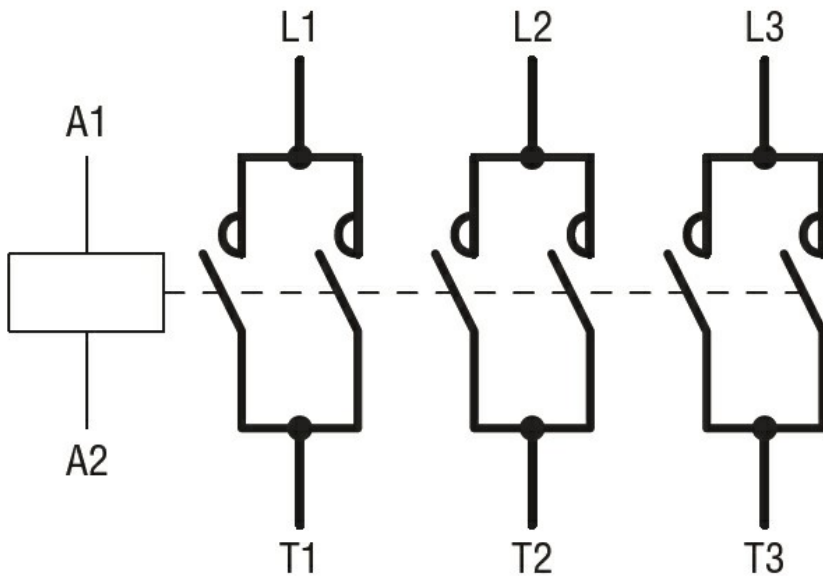
Pollution degree

3

Dimensions



Wiring diagrams



Certifications and compliance

Compliance

CSA C22.2 n° 60947-1
CSA C22.2 n° 60947-4-1
IEC/EN 60947-1
IEC/EN 60947-4-1
UL 60947-1
UL 60947-4-1

Certificates

/

ETIM classification

ETIM 8.0

EC000066 -
Power contactor,
AC switching