



Auxiliary contact characteristics

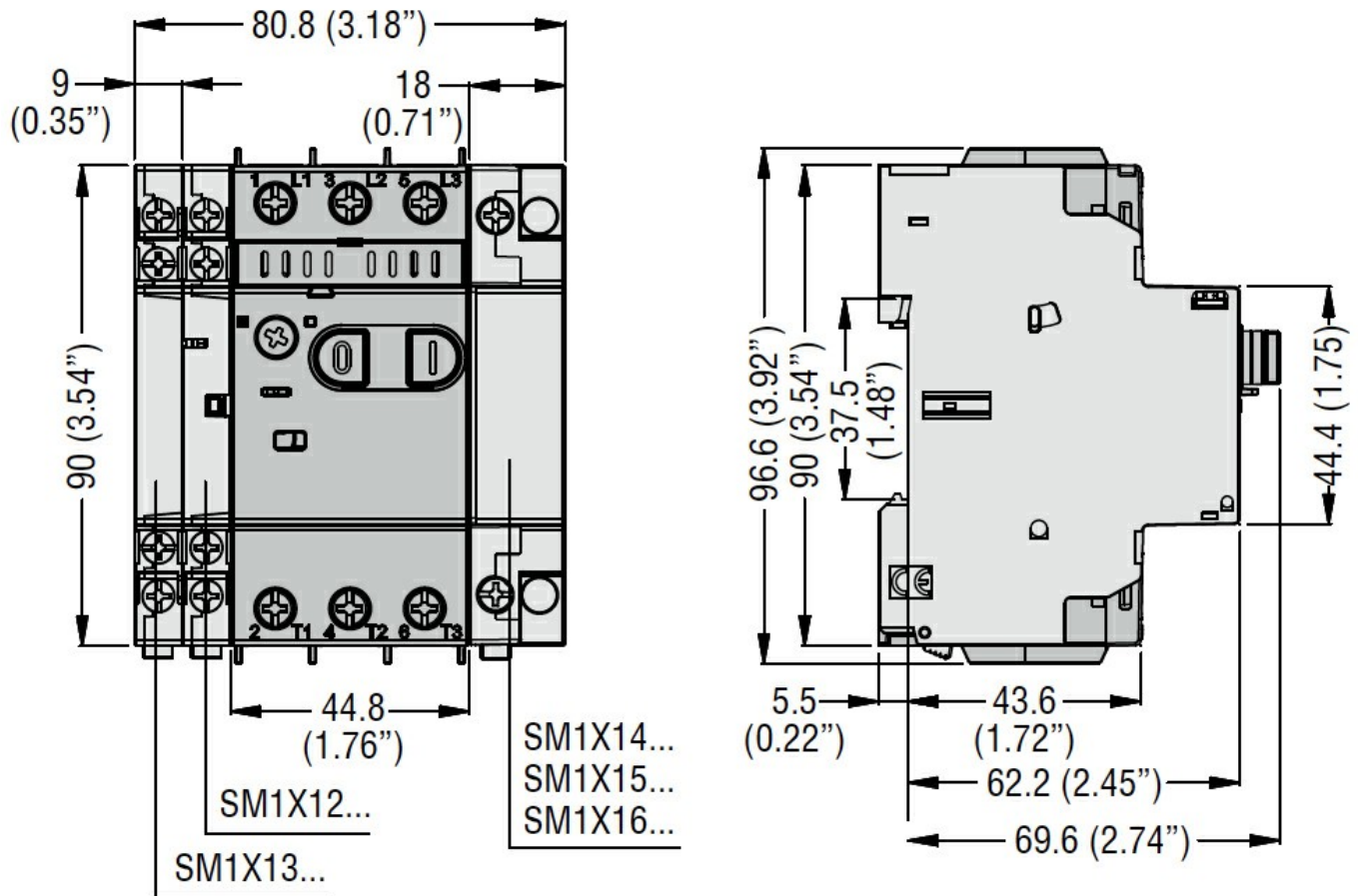
Type of contact	1NO + 1NC		
Rated insulation voltage U_i IEC/EN	V	690	
Rated impulse withstand voltage U_{imp}	kV	4	
UL/CSA and IEC/EN 60947-5-1 designation	A600 - Q600		
Min. conductivity	5V 10mA		
Operating current AC15	24V	A	10
	48V	A	10
	60V	A	10
	110V	A	6
	230V	A	3
	400V	A	1.9
	500V	A	1.4
	690V	A	1.2
Operating current DC13	24V	A	2.5
	48V	A	2.5
	60V	A	2.5
	110V	A	0.55
	125V	A	0.55
	220V	A	0.27
	600V	A	0.1

Mechanical features

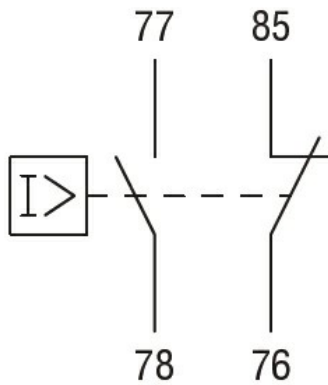
Tightening torque for terminals	min	Nm	1
	max	Nm	1
	min	lbin	9
	max	lbin	9
Conductor section	AWG/Kcmil		
	min	18	
	max	14	
	Flexible w/o lug conductor section		
min	mm ²	0.75	
max	mm ²	2.5	
Flexible c/w lug conductor section			
min	mm ²	0.75	
max	mm ²	2.5	
Operating position	normal	Vertical	
	allowable	Any	
Terminals	type	Screw	
	screw	M3.5	

	width	mm	7.2
	tool		Ph2
Weight		g	36
Operations			
Mechanical life		cycles	100000
Ambient conditions			
Temperature			
Operating temperature			
	min	°C	-20
	max	°C	+60
Storage temperature			
	min	°C	-50
	max	°C	+80
Max altitude		m	3000
IEC degree of protection			IP20

Dimensions



Wiring diagrams



Certifications and compliance

Compliance

CSA C22.2 n° 14

IEC/EN 60947-1

IEC/EN 60947-5-1

UL508

Certificates

cULus

EAC

ETIM classification