



**General characteristics**

**Material**

Housing	Aluminium-zinc alloy
---------	----------------------

**Contact characteristics**

Type of contact		1NO+1NC
Thermal current I <sub>th</sub>	A	6
Rated insulation voltage U <sub>i</sub>	V	400
Short-circuit protection with fuse	Class/A	10 gG/SC QUICK FUSE
IEC Conventional free air thermal current I <sub>th</sub> ≤ 40°C	A	6
Resistance per pole (average value)	mΩ	<10

**Mechanical features**

Operating head fixing		Fixed
Operating torque	N	120
	lb	27
Tightening torque (Max)		
Switch fixing	Nm	2.5
	lbin	22.1

**Conductor section**

AWG/Kcmil			
	max		14
IEC			
	max	mm <sup>2</sup>	2.5

**Cable connection**

Self-releasing screw terminal

**Cable entry**

PG11 with cable gland

**Weight**

g 459

**Operations**

Mechanical life	cycles	>10000000
Mechanical operation	cycles/h	3600

**Ambient conditions**

**Temperature**

Operating temperature			
	min	°C	-25
	max	°C	+70
Storage temperature			
	min	°C	-40
	max	°C	+70

**Resistance & Protection**

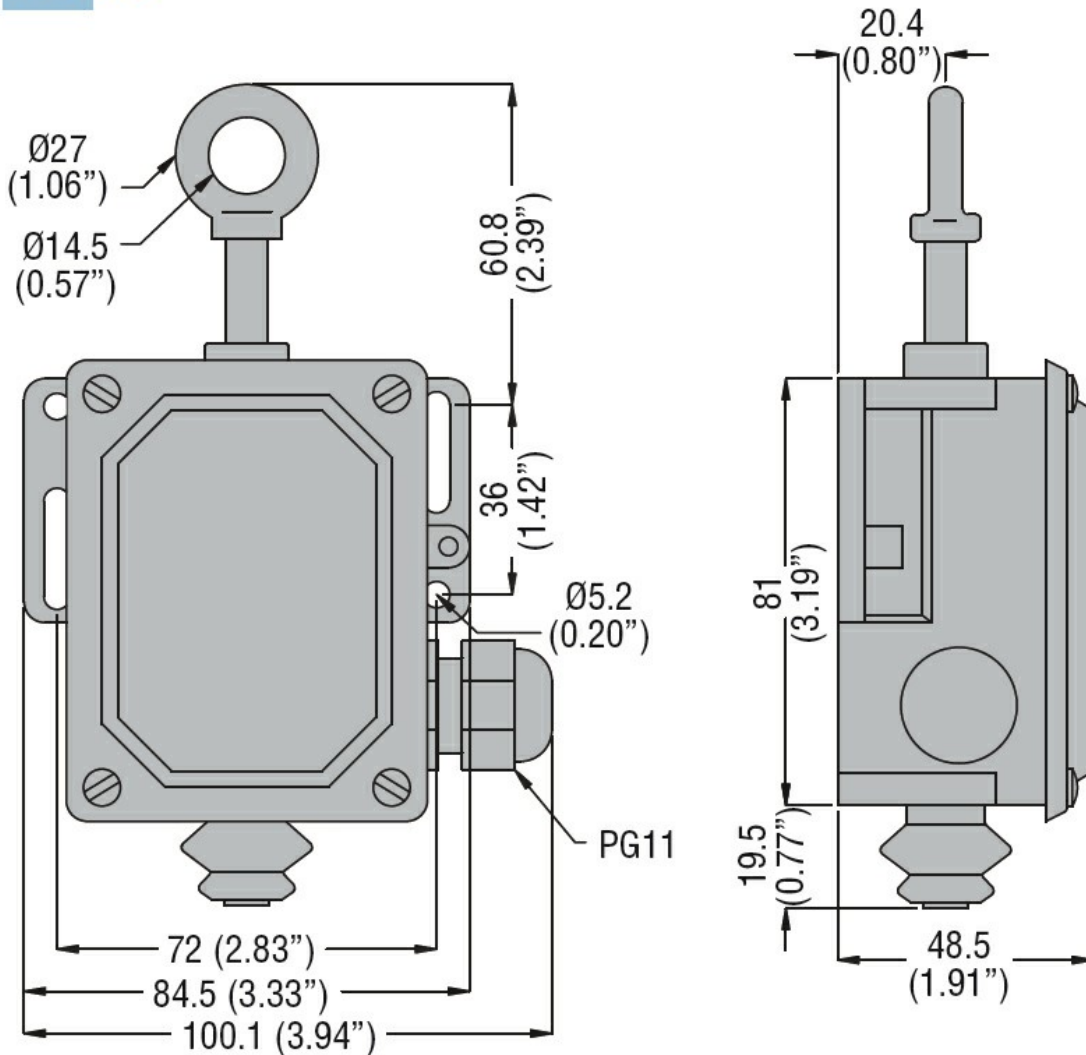
**IP degree**

Body housing	IP65
--------------	------

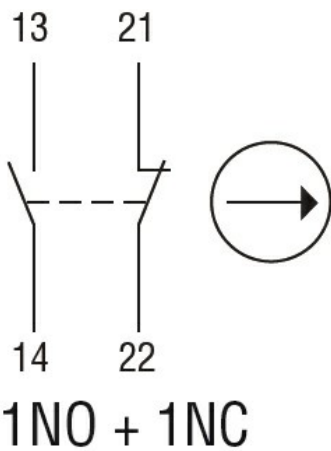
Pollution degree

3

**Dimensions**



**Wiring diagrams**



**Certifications and compliance**

Compliance

EN 81-1.

IEC/EN 60947-1

IEC/EN 60947-5-1

Certificates

EAC  
IMQ

---

ETIM classification

ETIM 8.0

EC000030 - End  
switch