



### General characteristics

#### Material

Housing	Aluminium-zinc alloy
---------	----------------------

### Contact characteristics

Type of contact		1NO+1NC
Thermal current I <sub>th</sub>	A	6
Rated insulation voltage U <sub>i</sub>	V	400
Short-circuit protection with fuse	Class/A	10 gG/SC QUICK FUSE
IEC Conventional free air thermal current I <sub>th</sub> ≤ 40°C	A	6
Resistance per pole (average value)	mΩ	<10

### Mechanical features

Operating head fixing		Fixed
Operating torque	N	40
	lb	9
Tightening torque (Max)		
Switch fixing	Nm	2.5
	lbin	22.1

#### Conductor section

AWG/Kcmil			
	max		14
IEC			
	max	mm <sup>2</sup>	2.5

#### Cable connection

Self-releasing screw terminal

#### Cable entry

PG11 with cable gland

#### Weight

g 459

### Operations

Mechanical life	cycles	>10000000
Mechanical operation	cycles/h	3600

### Ambient conditions

#### Temperature

##### Operating temperature

min	°C	-25
max	°C	+70

##### Storage temperature

min	°C	-40
max	°C	+70

### Resistance & Protection

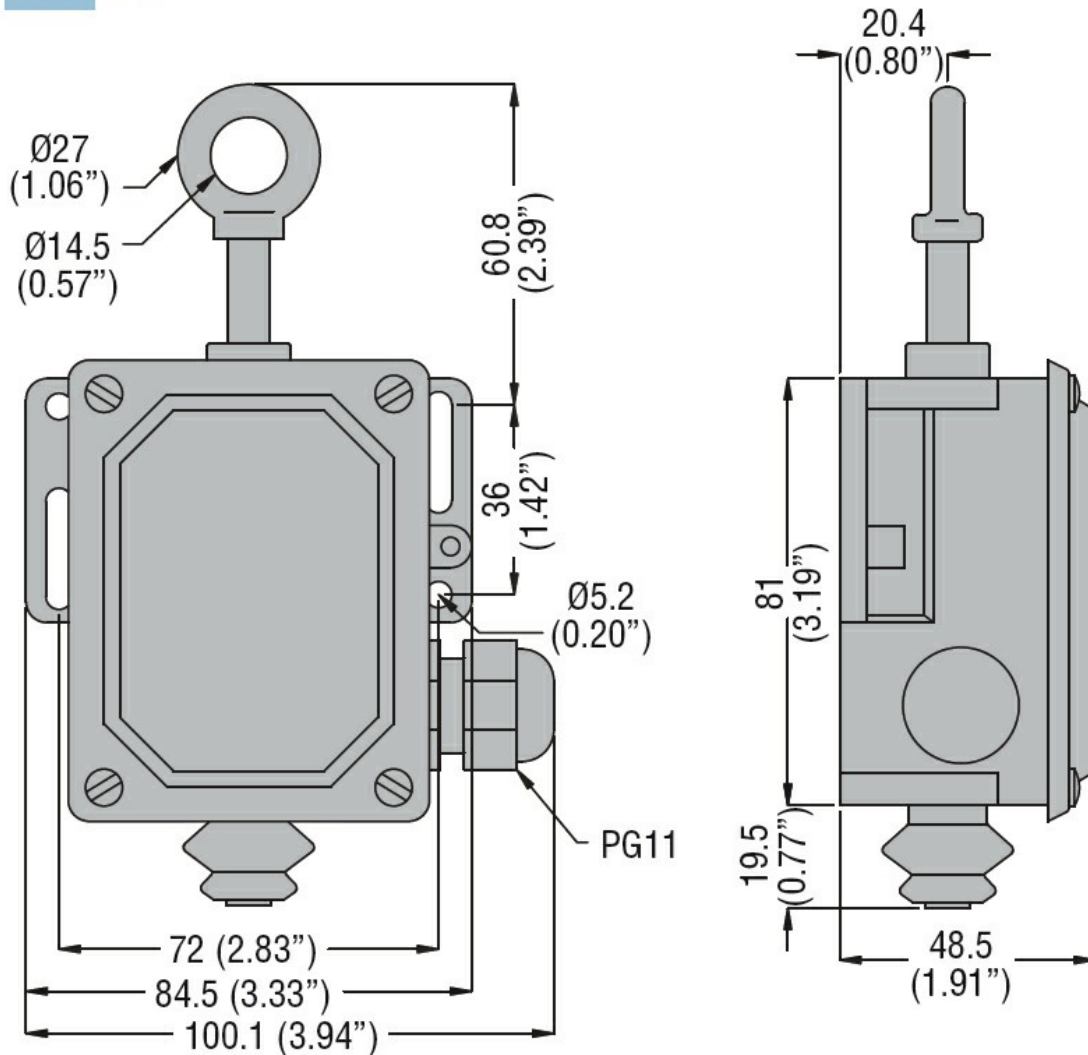
#### IP degree

Body housing	IP65
--------------	------

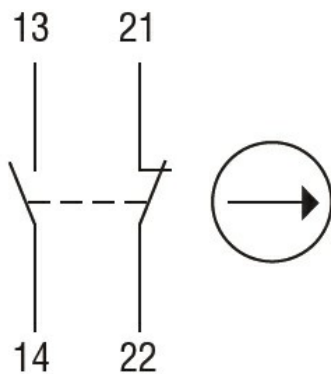
Pollution degree

3

**Dimensions**



**Wiring diagrams**



**1NO + 1NC**

**Certifications and compliance**

Compliance

EN 81-1.

IEC/EN 60947-1

IEC/EN 60947-5-1

Certificates

EAC  
IMQ

---

ETIM classification

ETIM 8.0

EC000030 - End  
switch