



### General characteristics

Colour	Red
Type of positions	Extended pushbutton. Push on-push off
Material	Polyamide
IEC degree of protection	IP66, IP67 and IP69K

### Mechanical features

Operating force	kg-lb	<0.5Kg / 1.1lb
Mechanical life - Push-Push actuators	cycles	500000
Fixing		Without mounting adapter
Mounting adapter		LPXC10A (1EM) / LPXC01 (1NC)
Weight	g	27

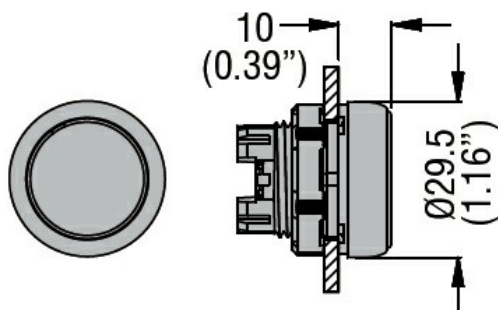
### UL technical data

UL degree of protection	Type1, 2, 3R, 4, 4X, 12, 12K
-------------------------	------------------------------

### Ambient conditions

Temperature	Operating temperature	min	°C	-25
		max	°C	+70
	Storage temperature	min	°C	-40
		max	°C	+85

### Dimensions



### Certifications and compliance

Compliance	CSA C22.2 n° 14
	IEC/EN/BS 60947-1
	IEC/EN/BS 60947-5-1
	UL508

### Certificates

CCC

---

cULus

---

EAC

---

RINA

**ETIM classification**

ETIM 8.0

EC000221 -  
Front element for  
push button