



General characteristics

| | |
|--------------------------|--------------------------|
| Colour | Yellow |
| Type of positions | Mushroom head pushbutton |
| Material | Polyamide |
| IEC degree of protection | IP66, IP67 and IP69K |

Mechanical features

| | | |
|---|--------|----------------|
| Operating force | kg-lb | <0.5Kg / 1.1lb |
| Mechanical life - spring return actuators | cycles | 5000000 |
| Mounting adapter | | LPXAU120 |
| Weight | g | 40 |

UL technical data

| | |
|-------------------------|------------------------------|
| UL degree of protection | Type1, 2, 3R, 4, 4X, 12, 12K |
|-------------------------|------------------------------|

Ambient conditions

Temperature

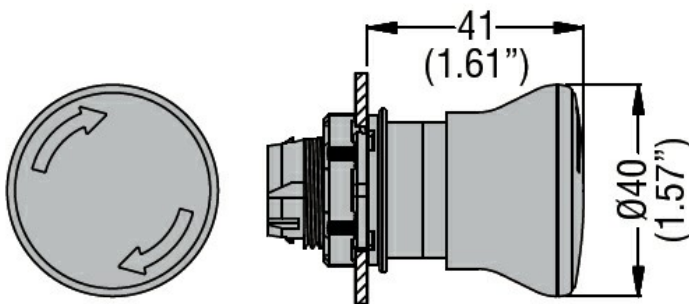
Operating temperature

| | | |
|-----|----|-----|
| min | °C | -25 |
| max | °C | +70 |

Storage temperature

| | | |
|-----|----|-----|
| min | °C | -40 |
| max | °C | +85 |

Dimensions



Certifications and compliance

Compliance

CSA C22.2 n° 14
IEC/EN/BS 60947-1
IEC/EN/BS 60947-5-1
UL508

Certificates

CCC
cULus
EAC
RINA

UL

ETIM classification

ETIM 8.0

EC001038 -
Front element for
mushroom push-
button