



General characteristics

General characteristics

Housing Material	Aluminium-zinc alloy		
Rod material	Short cylinder hinge		

Contact characteristics

Type of contact	2NC Slow action		
Thermal current I _{th}	A	10	
IEC/EN 60947-5-1 designation	A300 Q300		
Rated insulation voltage U _i	V	440	
Rated impulse withstand voltage U _{imp}	kV	4	
Short-circuit protection with fuse	Class/A	10 gG/SC QUICK FUSE	
Switching speed	min	m/s	0.5
	max	m/s	1.5

IEC Conventional free air thermal current I _{th} ≤ 40°C	A	10	
Resistance per pole (average value)	mΩ	<10	

Operations

Mechanical life	cycles	100000	
B10d	cycles	100000	
Mechanical operation	cycles/h	3600	

Output characteristics

Mechanical life	cycles	100000	
-----------------	--------	--------	--

Mechanical features

Operating head fixing	Locking bayonet insert		
-----------------------	------------------------	--	--

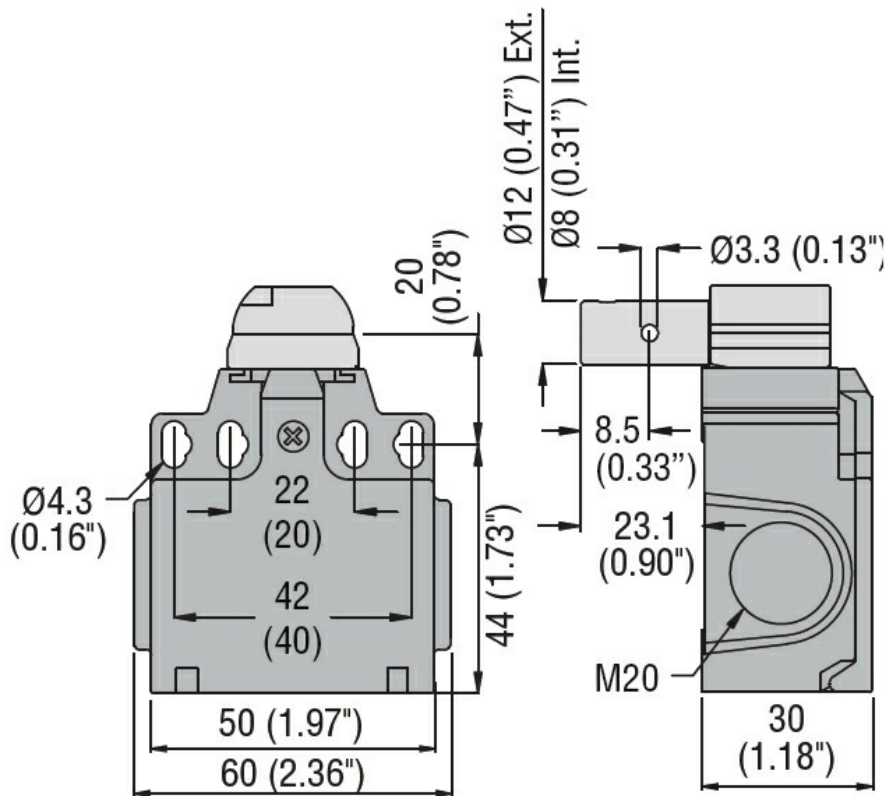
Operating torque	Ncm	15	
	ozin	21.2	

Tightening torque (Max)	Switch fixing	Nm	2.5
		lbin	22.1
	Contact terminals	Nm	0.8
		lbin	7
Body lid screw fixing	Nm	0.8	
	lbin	7	

Conductor section	AWG/Kcmil	min	16
		max	14

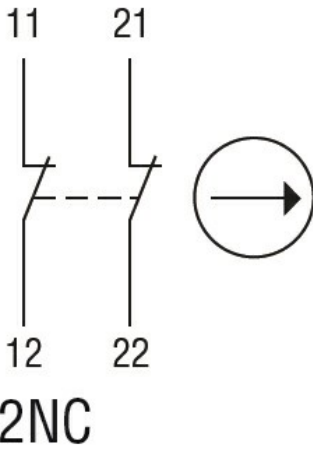
IEC		min	mm ²	1.5
		max	mm ²	2.5
Cable connection				Self-releasing screw terminal
Cable entry				M20 on the sides
Ambient conditions				
Pollution degree				3
Temperature				
	Operating temperature	min	°C	-25
		max	°C	+70
	Storage temperature	min	°C	-40
		max	°C	+70

Dimensions



Wiring diagrams

Slow action



Certifications and compliance

Compliance

CSA C22.2 n° 14
EN 50047
IEC/EN 60204-1
IEC/EN 60947-1
IEC/EN 60947-5-1
UL508

Certificates

CCC
cULus
EAC

ETIM classification

ETIM 8.0

EC000030 - End
switch