



### General characteristics

#### Material

Housing	Aluminium-zinc alloy
Roller	Metal

### Contact characteristics

Type of contact		2NC Snap action
Thermal current I <sub>th</sub>	A	10
IEC/EN 60947-5-1 designation		A300 Q300
Rated insulation voltage U <sub>i</sub>	V	440
Rated impulse withstand voltage U <sub>imp</sub>	kV	4
Insulation class		II
Short-circuit protection with fuse	Class/A	10 gG/SC QUICK FUSE
Switching speed	min	m/s 0.5
	max	m/s 1.5
IEC Conventional free air thermal current I <sub>th</sub> ≤ 40°C	A	10
Resistance per pole (average value)	mΩ	<10

### Mechanical features

Operating head fixing		Locking bayonet insert
Operating torque	Ncm	3
	ozin	4.25
Tightening torque (Max)		
Switch fixing	Nm	2.5
	lbin	22.1
Contact terminals	Nm	0.8
	lbin	7
Body lid screw fixing	Nm	0.8
	lbin	7
Conductor section		
AWG/Kcmil	min	16
	max	14
IEC	min	mm <sup>2</sup> 1.5
	max	mm <sup>2</sup> 2.5

#### Cable connection

Self-releasing screw terminal

#### Cable entry

M20 on the sides

### Operations

Mechanical life	cycles	<10000000
Mechanical operation	cycles/h	3600

**Ambient conditions**

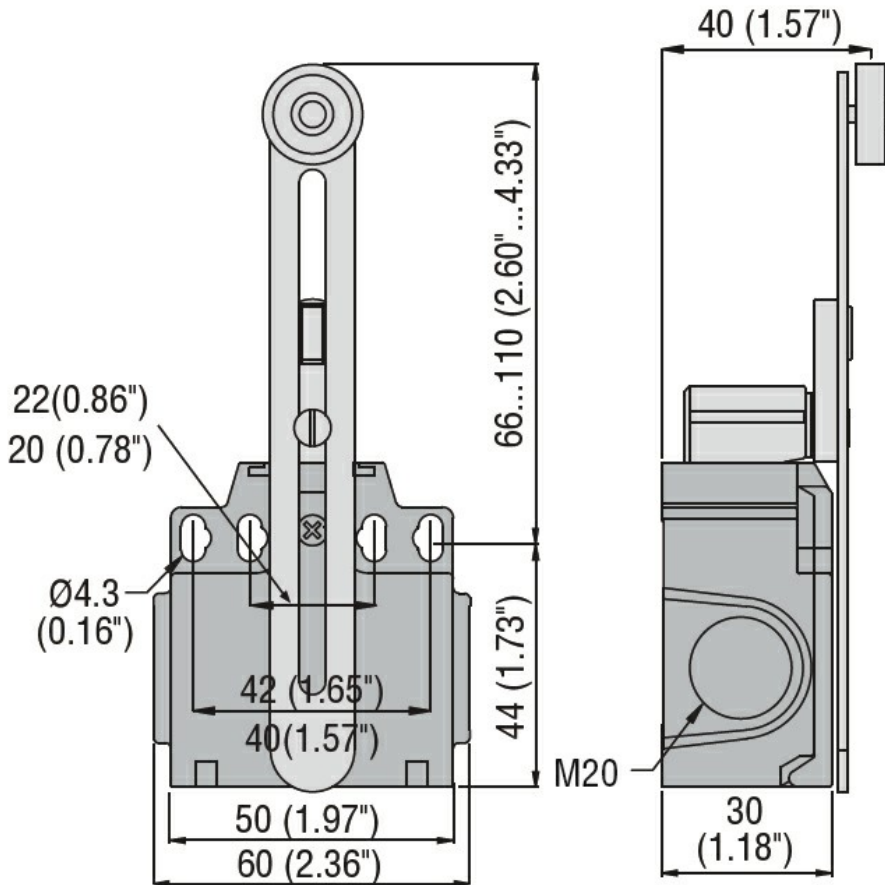
Temperature	Operating temperature	min	°C	-25
		max	°C	+70
	Storage temperature	min	°C	-40
		max	°C	+70

**Resistance & Protection**

IP degree	Terminals	IP20
	Body housing	IP65

Pollution degree	3
------------------	---

**Dimensions**



**Wiring diagrams**

## Snap action



### Certifications and compliance

#### Compliance

CSA C22.2 n° 14  
EN 50047  
IEC/EN 60204-1  
IEC/EN 60947-1  
IEC/EN 60947-5-1  
UL508

#### Certificates

CCC  
cULus  
EAC

### ETIM classification

ETIM 8.0

EC000030 - End  
switch