



**General characteristics**

|          |         |                      |  |
|----------|---------|----------------------|--|
| Material | Housing | Aluminium-zinc alloy |  |
|          | Roller  | Metal                |  |

**Contact characteristics**

|  |         |                     |     |
|--|---------|---------------------|-----|
| Type of contact  |         | 2NO Slow action     |     |
| Thermal current I <sub>th</sub>                                  | A       | 10                  |     |
| IEC/EN 60947-5-1 designation                                     |         | A300 Q300           |     |
| Rated insulation voltage U <sub>i</sub>                          | V       | 440                 |     |
| Rated impulse withstand voltage U <sub>imp</sub>                 | kV      | 4                   |     |
| Short-circuit protection with fuse                               | Class/A | 10 gG/SC QUICK FUSE |     |
| Switching speed  | min     | m/s                 | 0.5 |
|  | max     | m/s                 | 1.5 |
| IEC Conventional free air thermal current I <sub>th</sub> ≤ 40°C | A       | 10                  |     |
| Resistance per pole (average value)                              | mΩ      | <10                 |     |

**Mechanical features**

|                         |               |                        |      |
|-------------------------|---------------|------------------------|------|
| Operating head fixing   |               | Locking bayonet insert |      |
| Operating torque        | N             | 5                      |      |
|                         | lb            | 1.1                    |      |
| Tightening torque (Max) | Switch fixing | Nm                     | 2.5  |
|                         |               | lbin                   | 22.1 |
| Contact terminals       |               | Nm                     | 0.8  |
|                         |               | lbin                   | 7    |
| Body lid screw fixing   |               | Nm                     | 0.8  |
|                         |               | lbin                   | 7    |

|                   |           |     |                 |     |
|-------------------|-----------|-----|-----------------|-----|
| Conductor section | AWG/Kcmil | min | 16              |     |
|                   |           | max | 14              |     |
| IEC               |           | min | mm <sup>2</sup> | 1.5 |
|                   |           | max | mm <sup>2</sup> | 2.5 |

|                  |                               |  |  |
|------------------|-------------------------------|--|--|
| Cable connection | Self-releasing screw terminal |  |  |
| Cable entry      | M20 on the sides              |  |  |

**Operations**

|                 |        |           |  |
|-----------------|--------|-----------|--|
| Mechanical life | cycles | <10000000 |  |
|-----------------|--------|-----------|--|

Mechanical operation cycles/h 3600

**Ambient conditions**

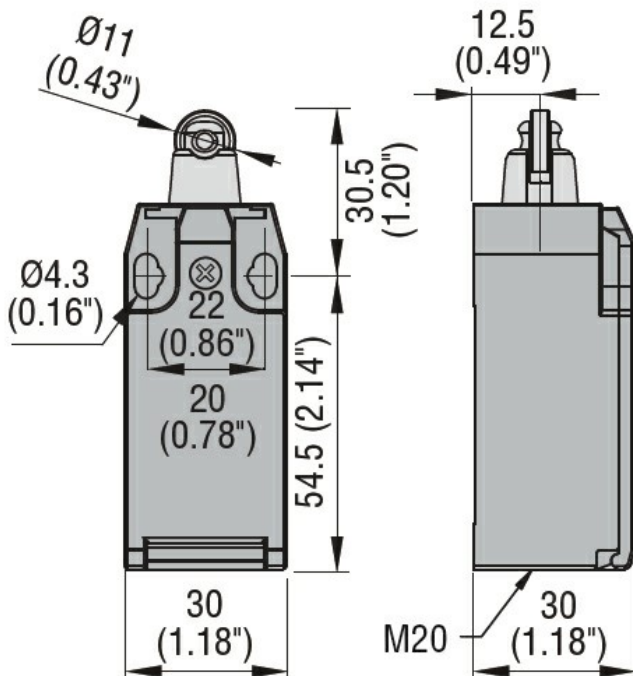
|             |                       |     |    |     |
|-------------|-----------------------|-----|----|-----|
| Temperature | Operating temperature | min | °C | -25 |
|             |                       | max | °C | +70 |
|             | Storage temperature   | min | °C | -40 |
|             |                       | max | °C | +70 |

**Resistance & Protection**

|           |              |      |
|-----------|--------------|------|
| IP degree | Terminals    | IP20 |
|           | Body housing | IP65 |

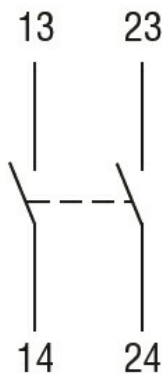
Pollution degree 3

**Dimensions**



**Wiring diagrams**

**Slow action**



**2NO**

**Certifications and compliance**

LIMIT SWITCH, K SERIES, TOP ROLLER PUSH PLUNGER, 1 BOTTOM CABLE ENTRY.  
DIMENSIONS TO EN 50047, METAL BODY, CONTACTS 2NO SLOW ACTION. METAL ROLLER

Compliance

CSA C22.2 n° 14

EN 50047

IEC/EN 60204-1

IEC/EN 60947-1

IEC/EN 60947-5-1

UL508

Certificates

CCC

cULus

EAC

ETIM classification

ETIM 8.0

EC000030 - End  
switch