



General characteristics

Material

| | |
|---------|----------------------|
| Housing | Aluminium-zinc alloy |
| Rod | Aluminium-zinc alloy |

Contact characteristics

| | | |
|--|---------|------------------------|
| Type of contact | | 2NC Snap action |
| Thermal current I _{th} | A | 10 |
| IEC/EN 60947-5-1 designation | | A300 Q300 |
| Rated insulation voltage U _i | V | 440 |
| Rated impulse withstand voltage U _{imp} | kV | 4 |
| Insulation class | | II |
| Short-circuit protection with fuse | Class/A | 10 gG/SC QUICK FUSE |
| Switching speed | min | m/s 0.5 |
| | max | m/s 1.5 |
| IEC Conventional free air thermal current I _{th} ≤ 40°C | A | 10 |
| Resistance per pole (average value) | mΩ | <10 |

Mechanical features

| | | | |
|-------------------------|-------------------|-------------------------------|---------------------|
| Operating head fixing | | Locking bayonet insert | |
| Operating torque | N | 5 | |
| | lb | 1.1 | |
| Tightening torque (Max) | Switch fixing | Nm | 2.5 |
| | | lbin | 22.1 |
| | Contact terminals | Nm | 0.8 |
| | | lbin | 7 |
| Body lid screw fixing | Nm | 0.8 | |
| | lbin | 7 | |
| Conductor section | AWG/Kcmil | min | 16 |
| | | max | 14 |
| | IEC | min | mm ² 1.5 |
| | | max | mm ² 2.5 |
| Cable connection | | Self-releasing screw terminal | |

| | |
|-------------|-------------------|
| Cable entry | M20 on the bottom |
|-------------|-------------------|

Operations

| | | |
|----------------------|----------|-----------|
| Mechanical life | cycles | <10000000 |
| Mechanical operation | cycles/h | 3600 |

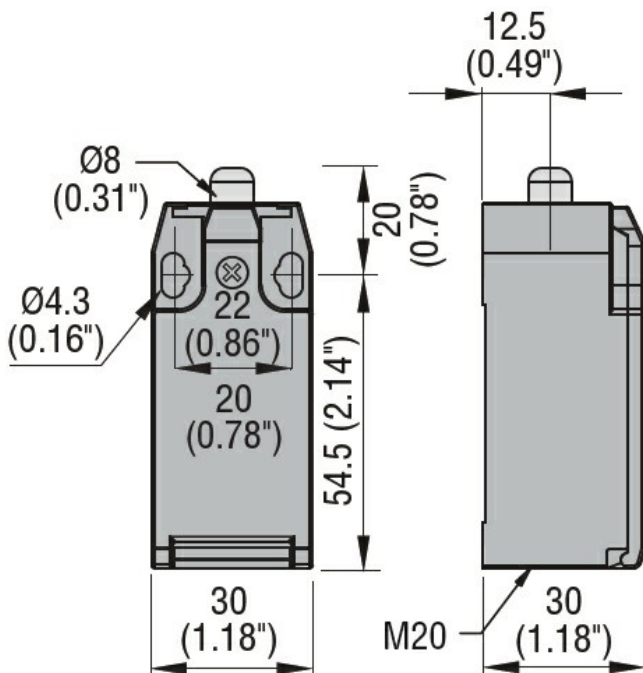
Ambient conditions

| | | | | |
|-------------|-----------------------|-----|----|-----|
| Temperature | Operating temperature | min | °C | -25 |
| | | max | °C | +70 |
| | Storage temperature | min | °C | -40 |
| | | max | °C | +70 |

Resistance & Protection

| | | |
|------------------|--------------|------|
| IP degree | Terminals | IP20 |
| | Body housing | IP65 |
| Pollution degree | | 3 |

Dimensions



Wiring diagrams

Snap action



Certifications and compliance

Compliance

CSA C22.2 n° 14
EN 50047
IEC/EN 60204-1
IEC/EN 60947-1
IEC/EN 60947-5-1
UL508

Certificates

CCC
cULus
EAC

ETIM classification

ETIM 8.0

EC000030 - End
switch