



General characteristics			
General characteristics			
Housing Material			Polymer thermoplastic
Rod material			Long solid
Contact characteristics			
Type of contact			2NC Slow action
Thermal current I <sub>th</sub>	A		10
IEC/EN 60947-5-1 designation			A600 Q600
Rated insulation voltage U <sub>i</sub>	V		690
Rated impulse withstand voltage U <sub>imp</sub>	kV		6
Insulation class			II
Short-circuit protection with fuse		Class/A	10 gG/SC QUICK FUSE
Switching speed			
	min	m/s	0.5
	max	m/s	1.5
IEC Conventional free air thermal current I <sub>th</sub> ≤ 40°C		A	10
Resistance per pole (average value)		mΩ	<10
Operations			
Mechanical life		cycles	100000
B10d		cycles	100000
Mechanical operation		cycles/h	3600
Output characteristics			
Mechanical life		cycles	100000
Mechanical features			
Operating head fixing			Locking bayonet insert
Operating torque			
		Ncm	15
		ozin	21.2
Tightening torque (Max)			
Switch fixing		Nm	2.5
		lbin	22.1
Contact terminals		Nm	0.8
		lbin	7
Body lid screw fixing		Nm	0.8
		lbin	7
Conductor section			
AWG/Kcmil			
	min		16
	max		14

IEC

min	mm <sup>2</sup>	1.5
max	mm <sup>2</sup>	2.5

Cable connection

Self-releasing screw terminal

Cable entry

M20 on the bottom

**Ambient conditions**

Pollution degree

3

Temperature

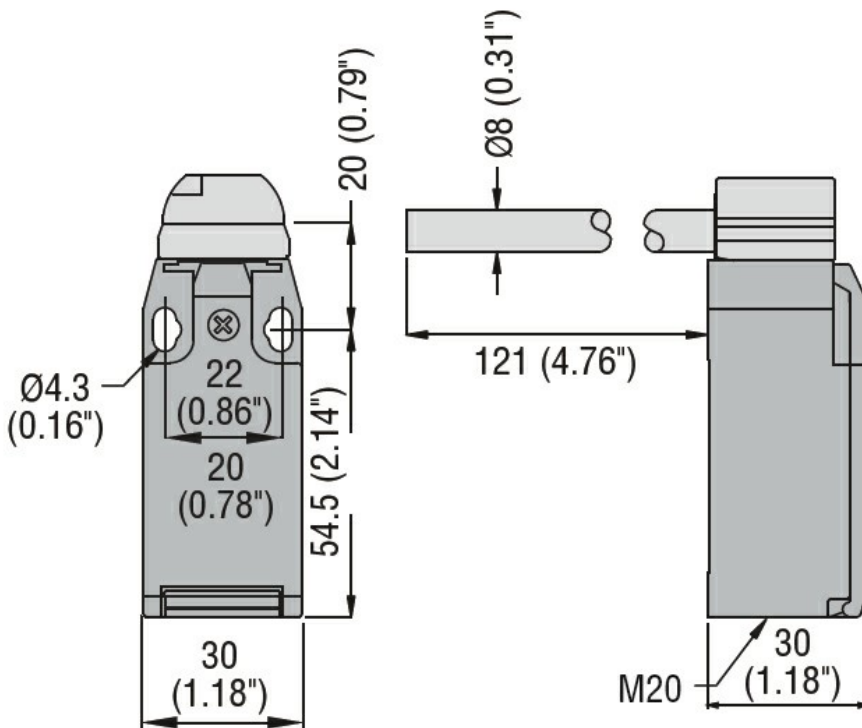
Operating temperature

min	°C	-25
max	°C	+70

Storage temperature

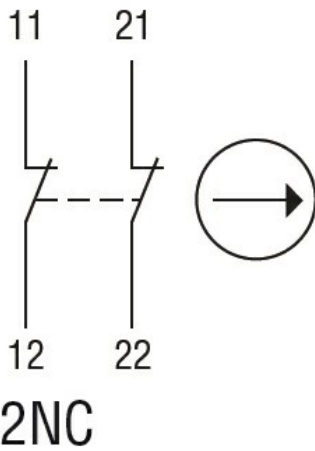
min	°C	-40
max	°C	+70

**Dimensions**



**Wiring diagrams**

## Slow action



### Certifications and compliance

#### Compliance

CSA C22.2 n° 14  
EN 50047  
IEC/EN 60204-1  
IEC/EN 60947-1  
IEC/EN 60947-5-1  
UL508

#### Certificates

CCC  
cULus  
EAC

### ETIM classification

ETIM 8.0

EC000030 - End switch