



**Electrical features**

Maximum operating current ( $\leq 440V$ )	A	160
Relay adj range	A	46-65

**Components**

Contactor standard supplied	BF9500A / BF9500A / BF6500A
Thermal relay standard supplied	No
Thermal relay to purchase separately	RF110
Auxiliary contact standard supplied	BFX1020 / BFX1011 / BFX1011

**Contact characteristics**

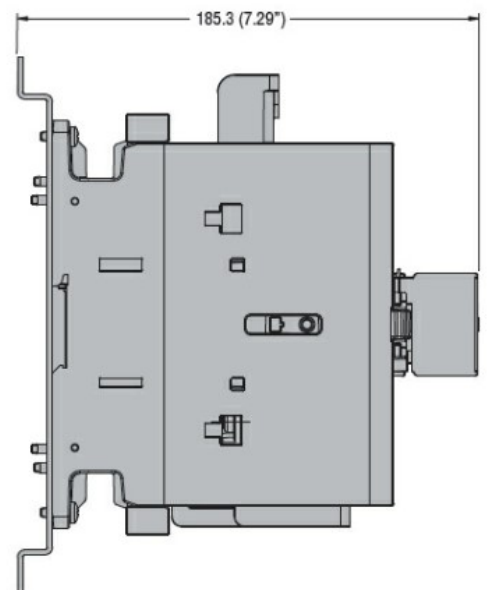
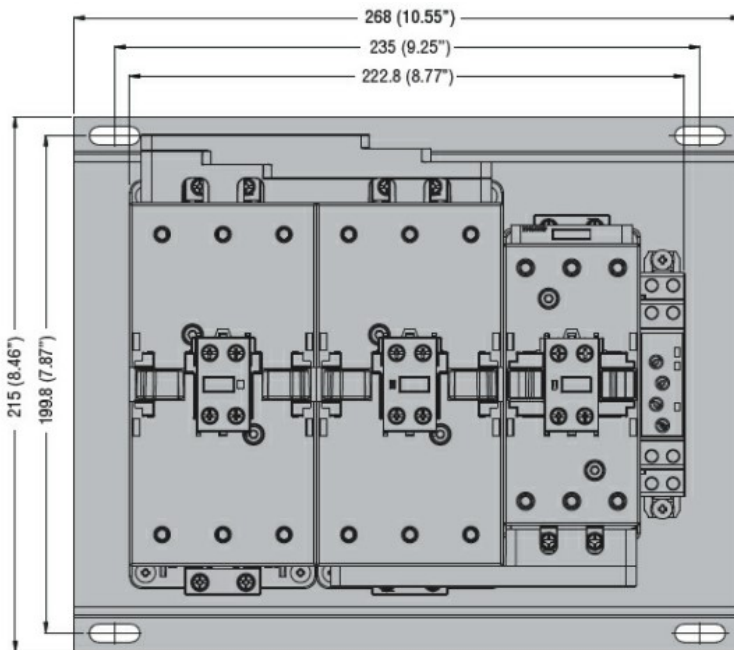
IEC standard motor powers

230V	kW	45
400V	kW	90
440V	kW	90
500V	kW	110

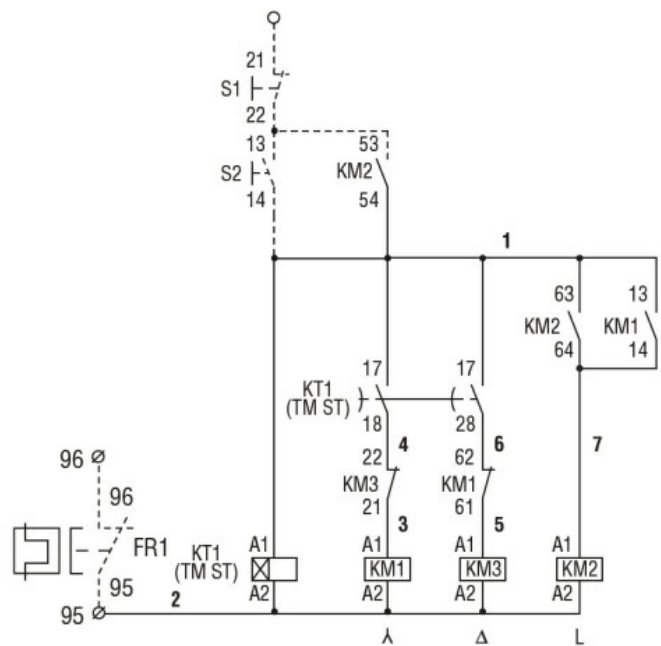
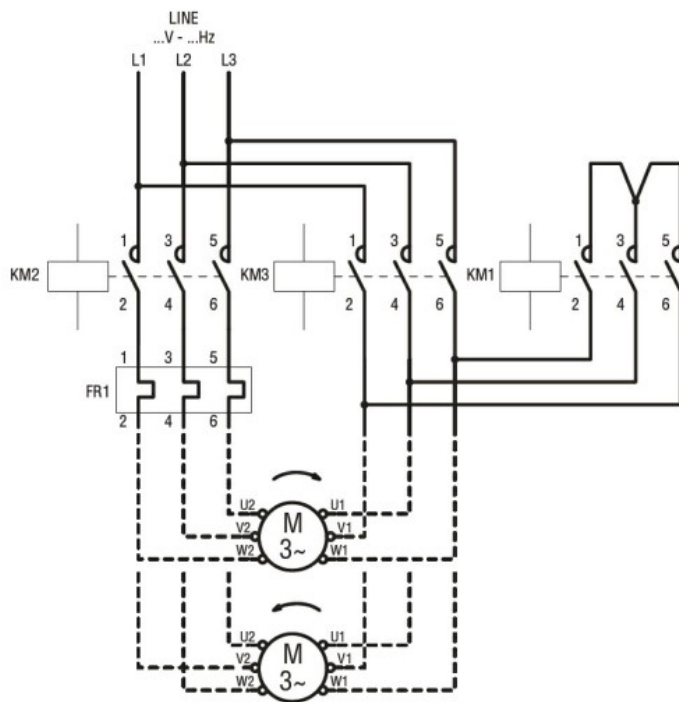
**Mechanical features**

Weight	g	6900
--------	---	------

**Dimensions**



**Wiring diagrams**



**Certifications and compliance**

Compliance

IEC/EN 60947-1  
IEC/EN 60947-4-1

Certificates

/

**ETIM classification**

ETIM 8.0

EC001037 -  
Motor  
starter/Motor  
starter  
combination