



**Contact characteristics**

Number of poles	Nr.	3
Rated insulation voltage $U_i$ IEC/EN	V	690
Rated impulse withstand voltage $U_{imp}$	kV	6
Operational frequency	min	Hz 25
	max	Hz 400
IEC Conventional free air thermal current $I_{th} \leq 40^\circ\text{C}$	A	45
Operational current $I_e$	AC-1 ( $\leq 40^\circ\text{C}$ )	A 45
	AC-1 ( $\leq 55^\circ\text{C}$ )	A 36
	AC-1 ( $\leq 70^\circ\text{C}$ )	A 32
	AC-3 ( $\leq 440\text{V} \leq 55^\circ\text{C}$ )	A 26
	AC-4 (400V)	A 11.5
Rated operational power AC-3 ( $T \leq 55^\circ\text{C}$ )	230V	kW 7.3
	400V	kW 13
	415V	kW 14
	440V	kW 14
	500V	kW 15.6
	690V	kW 18.5
Rated operational power AC-1 ( $T \leq 40^\circ\text{C}$ )	230V	kW 17
	400V	kW 30
	500V	kW 37
	690V	kW 51
IEC max current $I_e$ in DC1 with $L/R \leq 1\text{ms}$ with 1 poles in series	$\leq 24\text{V}$	A 25
	48V	A 21
	75V	A 18
	110V	A 6
	220V	A -
IEC max current $I_e$ in DC1 with $L/R \leq 1\text{ms}$ with 2 poles in series	$\leq 24\text{V}$	A 28
	48V	A 28
	75V	A 25
	110V	A 22
	220V	A 2
IEC max current $I_e$ in DC1 with $L/R \leq 1\text{ms}$ with 3 poles in series	$\leq 24\text{V}$	A 28
	48V	A 28
	75V	A 25
	110V	A 24
	220V	A 20
IEC max current $I_e$ in DC1 with $L/R \leq 1\text{ms}$ with 4 poles in series		

	≤24V	A	28
	48V	A	28
	75V	A	25
	110V	A	24
	220V	A	26
<hr/>			
IEC max current I <sub>e</sub> in DC3-DC5 with L/R ≤ 15ms with 1 poles in series	≤24V	A	18
	48V	A	15
	75V	A	13
	110V	A	2
	220V	A	–
<hr/>			
IEC max current I <sub>e</sub> in DC3-DC5 with L/R ≤ 15ms with 2 poles in series	≤24V	A	20
	48V	A	20
	75V	A	18
	110V	A	13
	220V	A	3
<hr/>			
IEC max current I <sub>e</sub> in DC3-DC5 with L/R ≤ 15ms with 3 poles in series	≤24V	A	25
	48V	A	25
	75V	A	20
	110V	A	18
	220V	A	19
<hr/>			
IEC max current I <sub>e</sub> in DC3-DC5 with L/R ≤ 15ms with 4 poles in series	≤24V	A	30
	48V	A	30
	75V	A	25
	110V	A	20
	220V	A	15
<hr/>			
Short-time allowable current for 10s (IEC/EN60947-1)		A	210
<hr/>			
Protection fuse	gG (IEC)	A	50
	aM (IEC)	A	32
<hr/>			
Making capacity (RMS value)		A	260
<hr/>			
Breaking capacity at voltage	440V	A	208
	500V	A	184
	690V	A	168
<hr/>			
Resistance per pole (average value)		mΩ	2
<hr/>			
Power dissipation per pole (average value)	I <sub>th</sub>	W	4
	AC-3	W	1.4
<hr/>			
Tightening torque for terminals	min	Nm	2.5
	max	Nm	3
	min	I <sub>bin</sub>	1.8
	max	I <sub>bin</sub>	2.2
<hr/>			
Tightening torque for coil terminal	min	Nm	0.8
	max	Nm	1
	min	I <sub>bin</sub>	0.8
	max	I <sub>bin</sub>	0.74
<hr/>			
Max number of wires simultaneously connectable		Nr.	2

Conductor section

AWG/Kcmil			max	6
Flexible w/o lug conductor section			min	mm <sup>2</sup> 2.5
			max	mm <sup>2</sup> 16
Flexible c/w lug conductor section			min	mm <sup>2</sup> 1
			max	mm <sup>2</sup> 10
Flexible with insulated spade lug conductor section			min	mm <sup>2</sup> 1
			max	mm <sup>2</sup> 16

Power terminal protection according to IEC/EN 60529

IP20 when properly wired

Cable stripping length

main circuit	mm	10
command circuit	mm	8

**Mechanical features**

Operating position

normal allowable	Vertical plan ±30°
------------------	--------------------

Fixing

Screw / DIN rail 35mm

Weight

g 560

**Operations**

Mechanical life

cycles 20000000

Electrical life

cycles 1600000

**Safety related data**

Performance level B10d according to EN/ISO 13489-1

rated load	cycles	1600000
mechanical load	cycles	20000000

EMC compatibility

yes

**DC coil operating**

DC rated control voltage

V 12

DC operating voltage

pick-up

min	%Us	70
max	%Us	125

drop-out

min	%Us	10
max	%Us	40

Average coil consumption ≤20°C

in-rush	W	5.4
holding	W	5.4

**Max cycles frequency**

Mechanical operation

cycles/h 3600

**Operating times**

Average time for Us control

in AC

Closing NO

min	ms	8
max	ms	24

Opening NO

min	ms	5
-----	----	---

Closing NC	max	ms	15
	min	ms	9
Opening NC	max	ms	20
	min	ms	9
<hr/>			
Closing NO	min	ms	54
	max	ms	66
Opening NO	min	ms	14
	max	ms	17

in DC

**UL technical data**

Rated operational voltage AC (UL) V 600

Full-load current (FLA) for three-phase AC motor

at 480V	A	21
at 600V	A	22

Yielded mechanical performance

for single-phase AC motor

110/120V	HP	2
230V	HP	5

for three-phase AC motor

200/208V	HP	7.5
220/240V	HP	7.5
460/480V	HP	15
575/600V	HP	20

General USE

Contactor AC current A 45

Short-circuit protection fuse, 600V

High fault

Short circuit current	kA	100
Fuse rating	A	100
Fuse class		J

Standard fault

Short circuit current	kA	5
Fuse rating	A	100

**Ambient conditions**

Temperature

Operating temperature

min	°C	-50
max	°C	70

Storage temperature

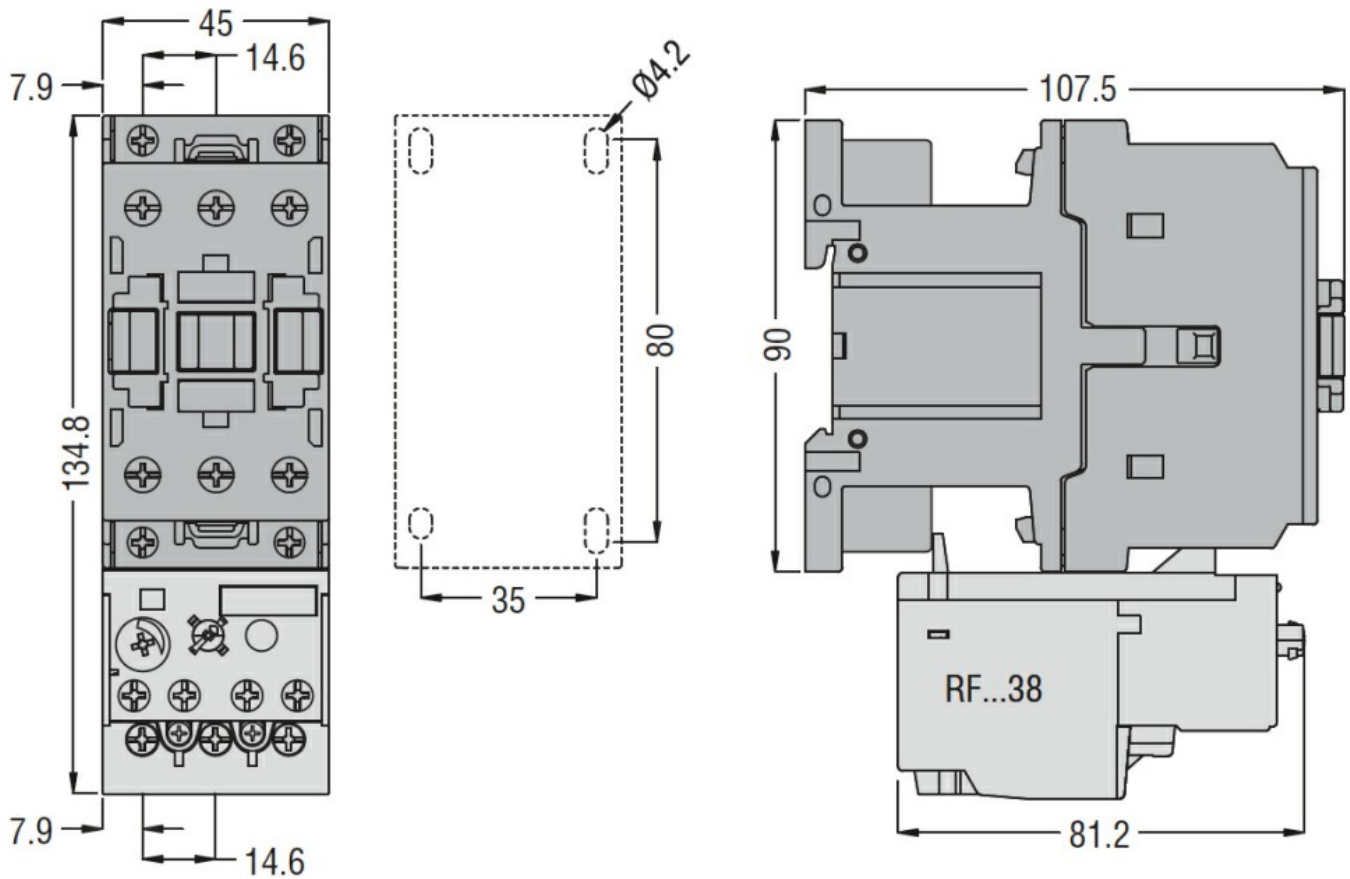
min	°C	-60
max	°C	80

Max altitude m 3000

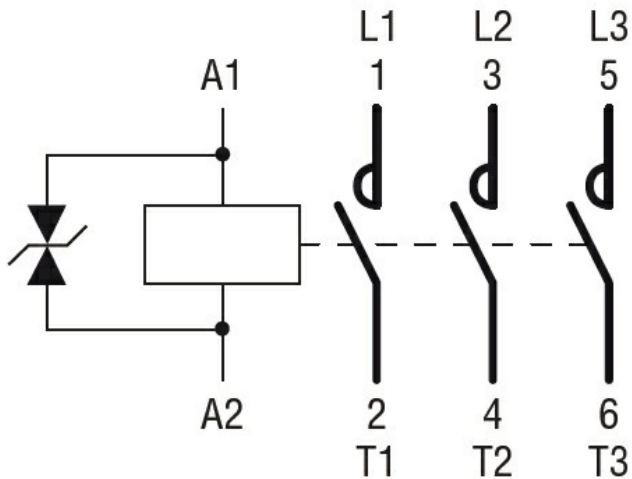
**Resistance & Protection**

Pollution degree 3

**Dimensions**



**Wiring diagrams**



**Certifications and compliance**

**Compliance**

- CSA C22.2 n° 60947-1
- CSA C22.2 n° 60947-4-1
- IEC/EN 60335-2-89
- IEC/EN/BS 60947-1
- IEC/EN/BS 60947-4-1
- UL 60947-1
- UL 60947-4-1

**Certificates**

THREE-POLE CONTACTOR, IEC OPERATING CURRENT IE (AC3) = 26A, DC COIL, 12VDC

CCC

CSA C22.2 n. 60335-2-40:22 LZGH A2L

CSA C22.2 No. 60335-2-89:21 LZGH A2L

cULus

EAC

UL 60335-2-40 LZGH A2L

UL 60335-2-89 LZGH A2L

ETIM classification

ETIM 8.0

EC000066 -  
Power contactor,  
AC switching