



Contact characteristics

Number of poles	Nr.	4
Rated insulation voltage U _i IEC/EN	V	690
Rated impulse withstand voltage U _{imp}	kV	6
Operational frequency	min	Hz 25
	max	Hz 400
IEC Conventional free air thermal current I _{th} ≤ 40°C	A	25
Operational current I _e	AC-1 (≤40°C)	A 25
	AC-1 (≤55°C)	A 20
	AC-1 (≤70°C)	A 18
	AC-3 (≤440V ≤55°C)	A 9
	AC-4 (400V)	A 4.9
Rated operational power AC-1 (T≤40°C)	230V	kW 9.5
	400V	kW 16
	500V	kW 21
	690V	kW 27
Short-time allowable current for 10s (IEC/EN60947-1)	A	150
Protection fuse	gG (IEC)	A 25
	aM (IEC)	A 10
Making capacity (RMS value)	A	90
Breaking capacity at voltage	440V	A 72
	500V	A 72
	690V	A 71
Resistance per pole (average value)	mΩ	2.5
Power dissipation per pole (average value)	I _{th}	W 1.6
	AC-3	W 0.2
Tightening torque for terminals	min	Nm 1.5
	max	Nm 1.8
	min	lbin 1.1
	max	lbin 1.5
Tightening torque for coil terminal	min	Nm 0.8
	max	Nm 1
	min	lbin 0.8
	max	lbin 0.74
Max number of wires simultaneously connectable	Nr.	2
Conductor section	AWG/Kcmil	

	max		10
Flexible w/o lug conductor section	min	mm ²	1
	max	mm ²	6
Flexible c/w lug conductor section	min	mm ²	1
	max	mm ²	4
Flexible with insulated spade lug conductor section	min	mm ²	1
	max	mm ²	6

Power terminal protection according to IEC/EN 60529			IP20 when properly wired
---	--	--	--------------------------

Cable stripping length			
	main circuit	mm	10
	command circuit	mm	8

Mechanical features

Operating position	normal allowable		Vertical plan ±30°
--------------------	------------------	--	--------------------

Fixing			Screw / DIN rail 35mm
--------	--	--	-----------------------

Weight		g	348
--------	--	---	-----

Operations

Mechanical life		cycles	20000000
-----------------	--	--------	----------

Electrical life		cycles	2000000
-----------------	--	--------	---------

Safety related data

Performance level B10d according to EN/ISO 13489-1			
	rated load	cycles	2000000
	mechanical load	cycles	20000000

EMC compatibility			yes
-------------------	--	--	-----

AC coil operating

Rated AC voltage at 60Hz		V	220
--------------------------	--	---	-----

AC operating voltage			
of 60Hz coil powered at 60Hz			
pick-up	min	%Us	80
	max	%Us	110
drop-out	min	%Us	20
	max	%Us	55

AC average coil consumption at 20°C			
of 60Hz coil powered at 60Hz			
	in-rush	VA	75
	holding	VA	9

Dissipation at holding ≤20°C 50Hz		W	2.5
-----------------------------------	--	---	-----

Max cycles frequency

Mechanical operation		cycles/h	3600
----------------------	--	----------	------

Operating times

Average time for Us control			
in AC			
Closing NO	min	ms	8
	max	ms	24
Opening NO			

Closing NC	min	ms	10
	max	ms	20
Opening NC	min	ms	14
	max	ms	28
	min	ms	7
	max	ms	18

UL technical data

Rated operational voltage AC (UL) V 600

Full-load current (FLA) for three-phase AC motor

at 480V	A	7.6
at 600V	A	9

Yielded mechanical performance
for single-phase AC motor

110/120V	HP	0.8
230V	HP	2

for three-phase AC motor

200/208V	HP	3
220/240V	HP	3
460/480V	HP	5
575/600V	HP	7.5

General USE

Contactor

AC current A 25

Ambient conditions

Temperature

Operating temperature

min	°C	-50
max	°C	70

Storage temperature

min	°C	-60
max	°C	80

Max altitude

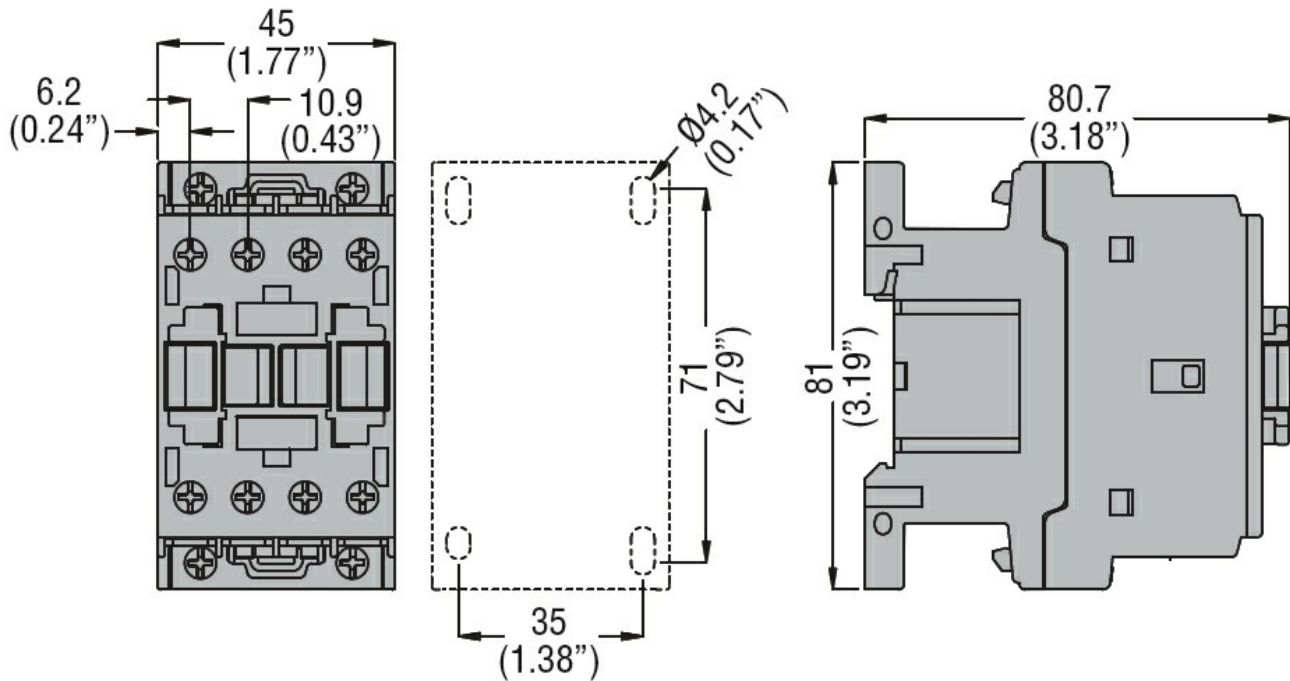
m 3000

Resistance & Protection

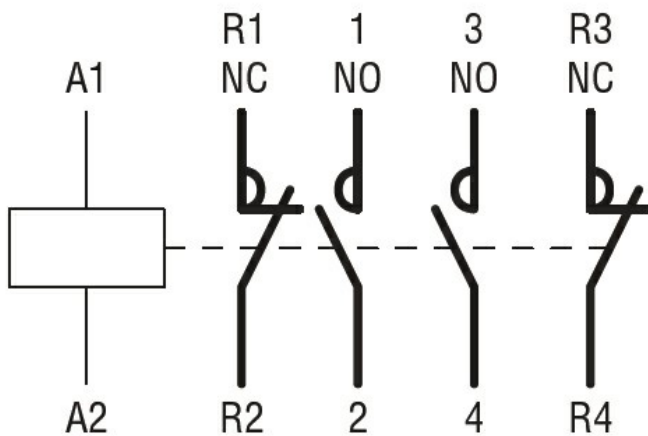
Pollution degree

3

Dimensions



Wiring diagrams



Certifications and compliance

Compliance

CSA C22.2 n° 60947-1
CSA C22.2 n° 60947-4-1
IEC/EN 60335-2-89
IEC/EN/BS 60947-1
IEC/EN/BS 60947-4-1
UL 60947-1
UL 60947-4-1

Certificates

CCC
CSA C22.2 n. 60335-2-40:22 LZGH A2L
CSA C22.2 No. 60335-2-89:21 LZGH A2L
cULus
EAC
UL 60335-2-40 LZGH A2L
UL 60335-2-89 LZGH A2L

ETIM classification

ETIM 8.0

EC000066 -
Power contactor,
AC switching