

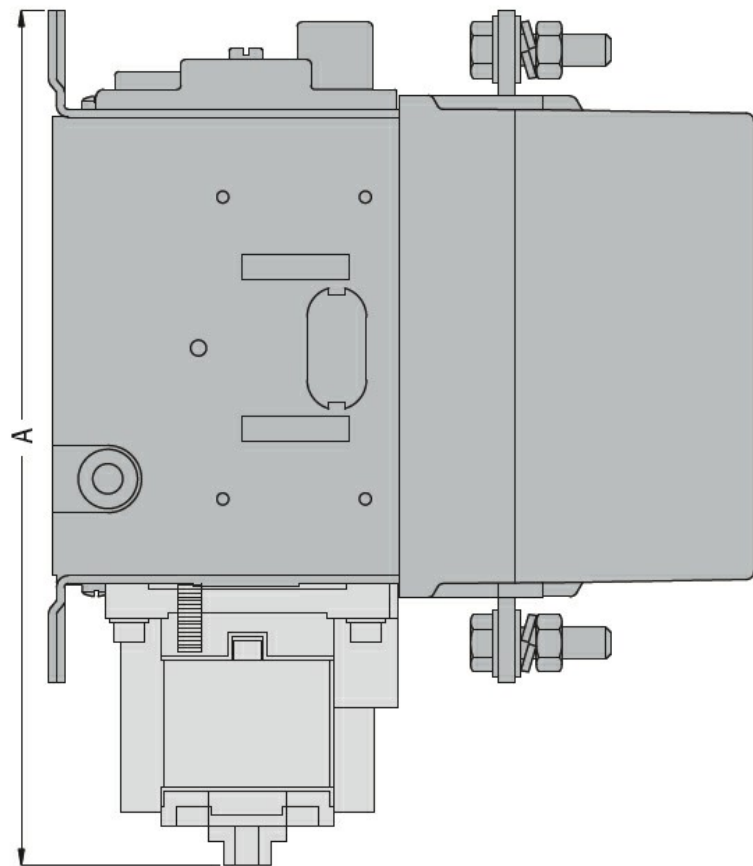
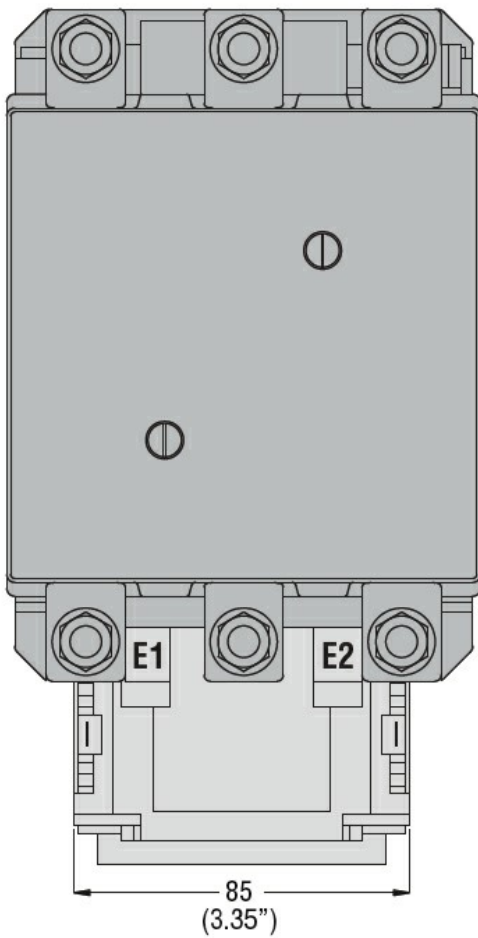


UL technical data

Rated operational voltage AC (UL)

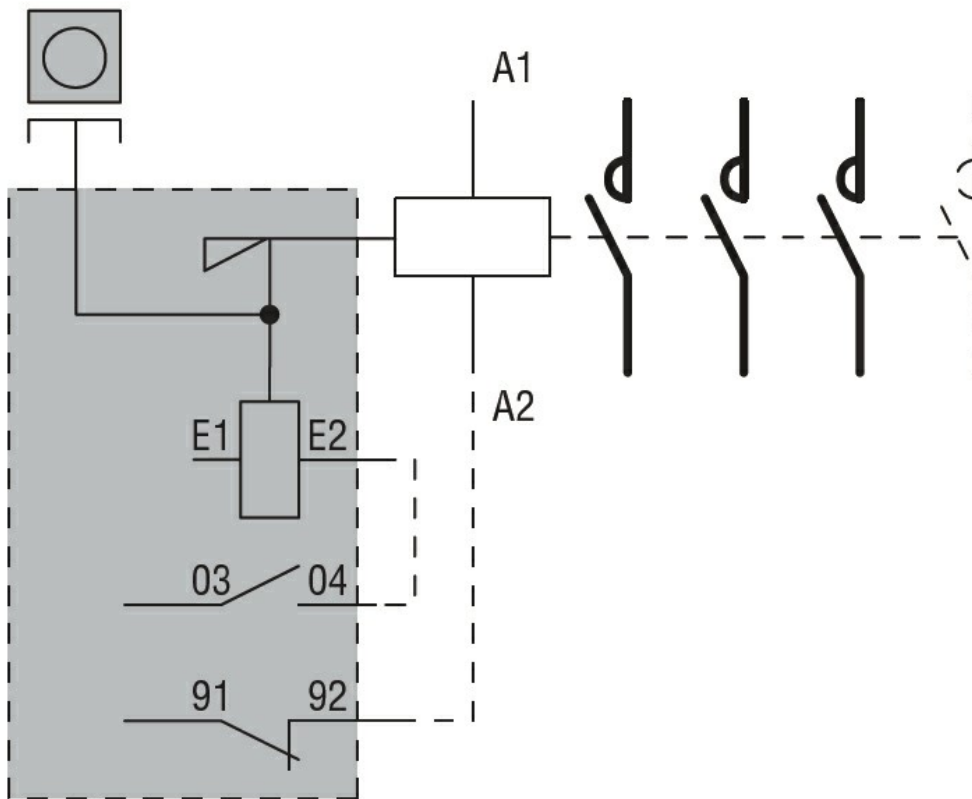
V 600

Dimensions



CONTACTOR TYPE	A
B115 - B145 - B180	221 (8.70")
B250 - B400	255 (8.86")
B500 - B630	300 (11.81")

Wiring diagrams



Certifications and compliance

Compliance

CSA C22.2 n° 60947-1
 IEC/EN 60947-1
 UL 60947-1

Certificates

/

ETIM classification

ETIM 8.0

EC002498 -
 Accessories/spare
 parts for low-
 voltage switch
 technology