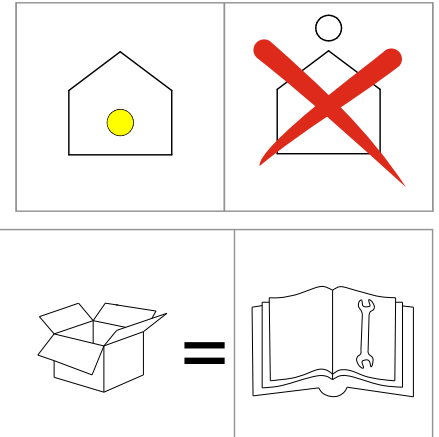
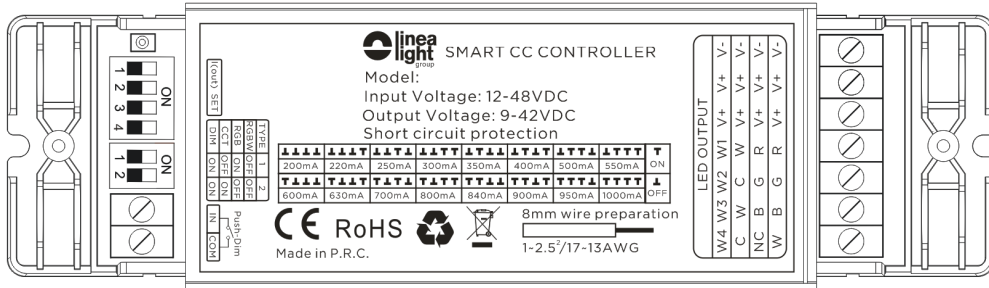


C-E700003



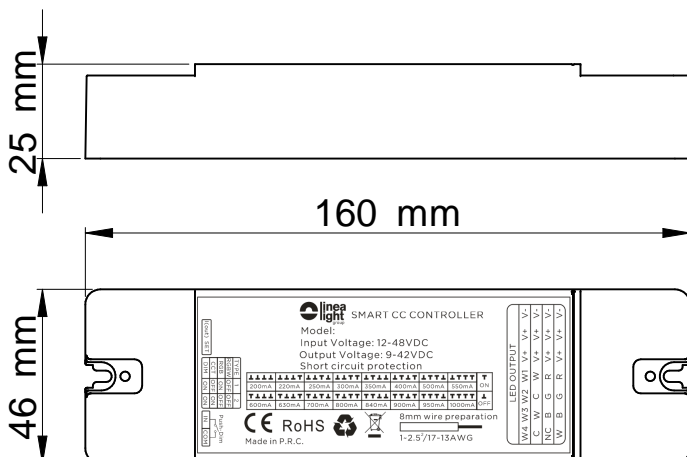
Features:

- RF remote control+ WIFI control(Tuya smart APP)+Push.
- Set as single color, dual color, RGB or RGBW controller by DIP switch.
- Set the current by DIP switch.
- Auto-transmitting function: Controller automatically transmit signal to another controller with 10m control distance.Synchronize on multiple number of controllers.
- Memory function, each time power-on reserve the mode which stop in the last power-off.

Technical Parameters

Input Voltage	12V DC	24V DC	48V DC
Output Voltage Range	9V DC	12-18V DC	21-42V DC
Max. Output power/ch	9W/ch	18W/ch	42W/ch
Available current range	200-1000mA		
RF frequency	2.4GHz		
RF distance	≤20m (without obstacles)		
PWM frequency	1.95KHz		
Connecting mode	Common anode		
Working temperature	-20/45°C		
Standby power consumption	<1W		
Short-circuit protection	Yes		

Dimension



Safety information

1. The product shall be installed and serviced by a qualified person.
2. The product is non-waterproof. Please avoid the sun and rain.
3. Good heat dissipation will prolong the working life of the controller. Please ensure good ventilation.
4. Please check if the output voltage of any power supplies used comply with the working voltage of the product.
5. Ensure all wire connections and polarities are correct and secure before applying power to avoid any damages to the LED lights.
6. If a fault occurs please return the product to your supplier. Do not attempt to fix this product by yourself.

DIP switch settings

Setting the type of output as below, please ensure the DIP switch is in correct state according to the loading LED's type:

RGBW		1	OFF
		2	OFF
RGB		1	ON
		2	OFF
CCT		1	OFF
		2	ON
DIM		1	ON
		2	ON

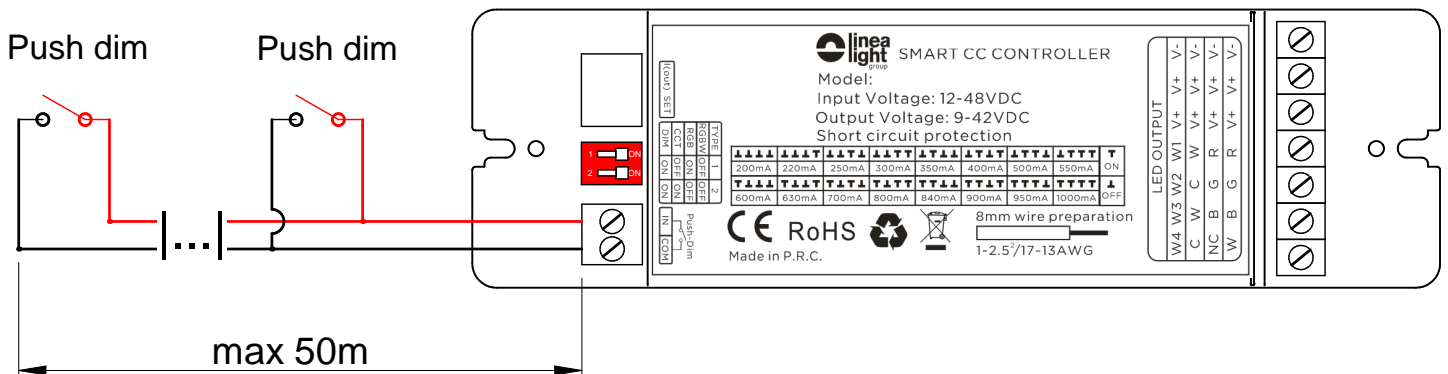
Step 3: Setting the current of output according to the lamp's specification as blow, please ensure the DIP switch is in correct state according to the loading LED's parameters:

200	220	250	300	350	400	500	550
600	630	700	800	840	900	950	1000

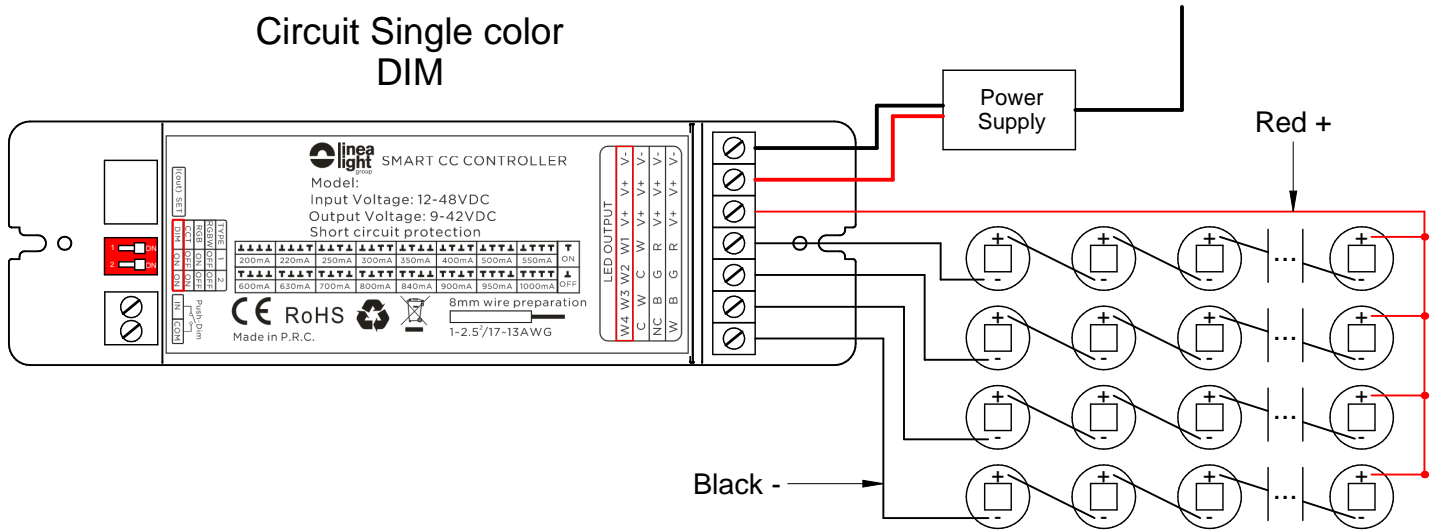
(DIP switch & output current)

Note: Please make sure that the current has been set correctly before powering on, otherwise it may cause damage to the lamp.

Push DIM wiring(valido per tutte le versioni)



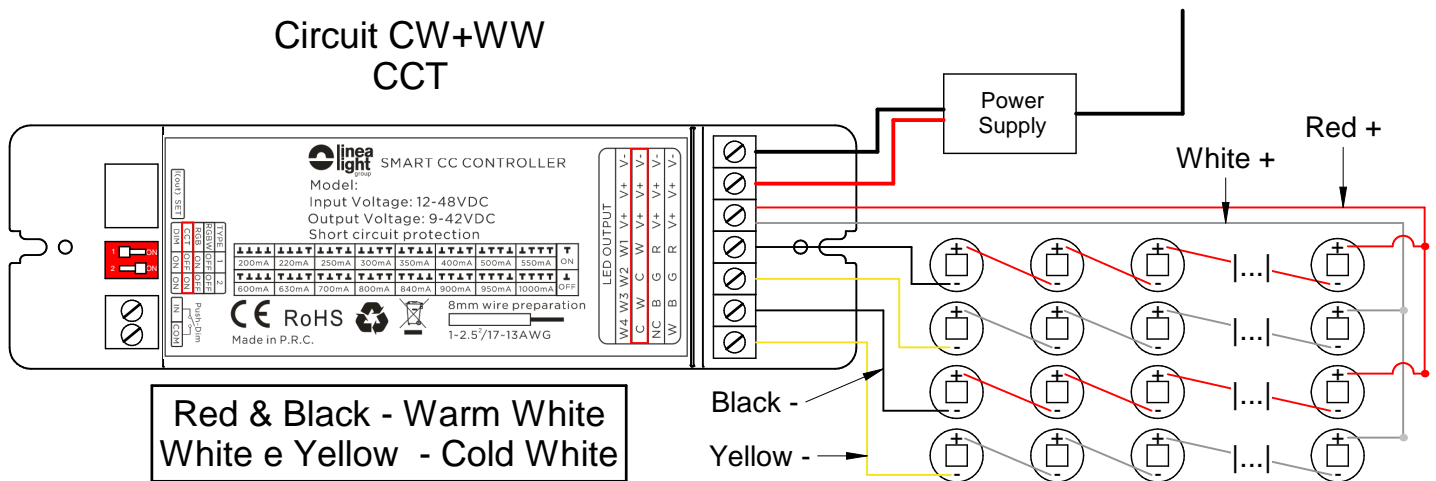
Circuit Single color DIM



Dimming Single color 	Click	ON/OFF
	Double Click	Turn on/off 100% or 10%(night light) and vice-versa
	Long press(>1s from OFF	Dimming UP/DOWN
	Long press(>1S from ON	Dimming UP/DOWN

Look at the spotlight instruction sheet for cable polarities

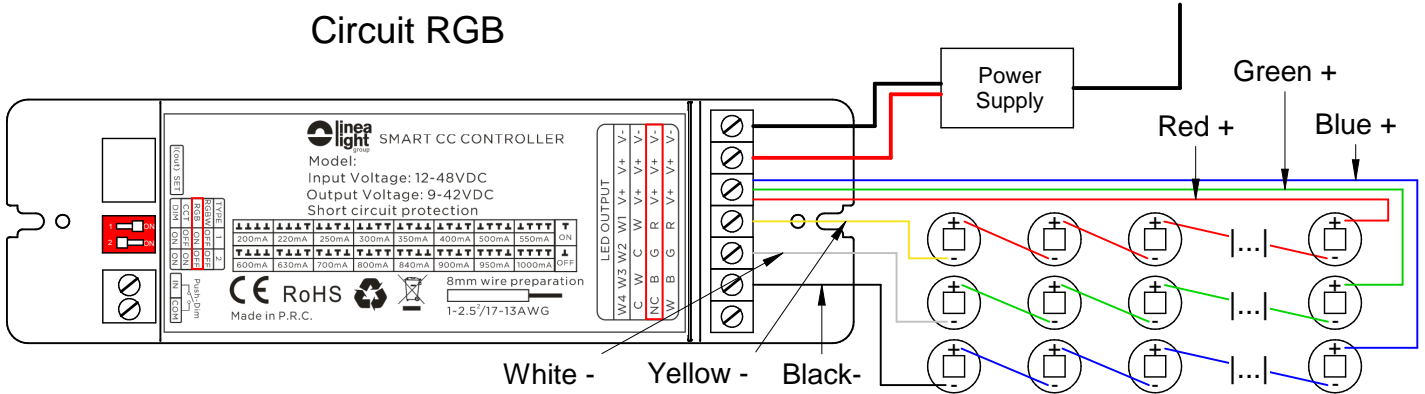
Circuit CW+WW CCT



CCT Dual color 	Click	ON/OFF
	Double Click	Turn on/off 100% or 10%(night light) and vice-versa
	Long press(>1s from OFF	Color temperature UP/DOWN (turn off and turn on to return dimming)
	Long press(>1S from ON	Dimming UP/DOWN

Look at the spotlight instruction sheet for cable polarities

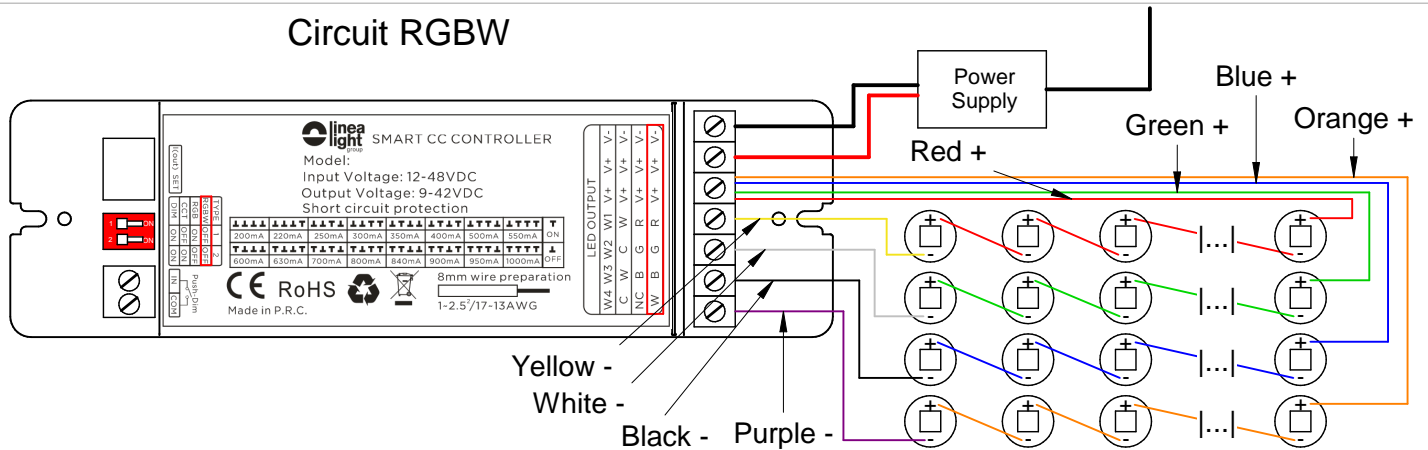
Circuit RGB



<p>RGB</p>	Click	ON/OFF
	Double Click	Change from color mode to white mode (RGB mixed) and vice-versa
	Long press(>1s from OFF	If on color mode change rotation speed If on white mode dimming UP/DOWN
	Long press(>1S from ON	If on color mode start/stop color rotation If on white mode dimming UP/DOWN

Look at the spotlight instruction sheet for cable polarities

Circuit RGBW



<p>RGBW</p>	Click	ON/OFF
	Double Click	Three color modes, double-click White mode (only white), double-click RGB mode, double-click RGBW mode (RGB+White color)
	Long press(>1s from OFF	If on RGB mode change rotation speed If on white mode or RGBW mode, White dimming UP/DOWN
	Long press(>1S from ON	If on RGB mode start/stop color rotation If on white mode or RGBW mode, White dimming UP/DOWN

Look at the spotlight instruction sheet for cable polarities

RGB & RGBW

Color rotation:



We can select 4 rotation speed:

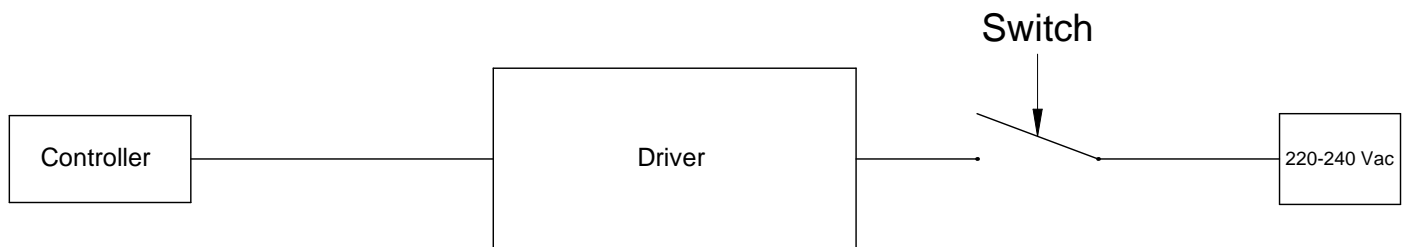
10 flash/s means 6 seconds color rotation, 5 flash/s means 30 seconds color rotation, 2 flash/s means 1minute color rotation, 1 flash/s means 6 minutes color rotation.

WIFI controlled by Application to archive smart control.

**Reset the control unit when switched on: switch the power supply marked in the drawing off and on again;
The off-on operation must be performed 5 times;
Then the LED source will start flashing and it will be possible to connect the device via the app within three minutes after the start of the flashing.**

- Search in your mobile store “Tuya” application or “Smart Life” and register it to get your home account.
- And compatible with voice control via Amazon Alexa, Google Assistant, Yandex Alice and so on.

A switch between the power supply (220-240 Vac) and the Driver is required in order to achieve wifi pairing



Malfunctions analysis and troubleshooting

Malfunctions	Causes	Troubleshooting
No light	<ol style="list-style-type: none"> 1. No power 2. Wrong connection or insecure 	<ol style="list-style-type: none"> 1. Check the power 2. Check the connection
Wrong color	<ol style="list-style-type: none"> 1. Wrong connection of R/G/B/W wires 	<ol style="list-style-type: none"> 1. Reconnect R/G/B/W wires
Uneven intensity Between front and Rear, with voltage drop	<ol style="list-style-type: none"> 1. Output cable is too long 2. Wire diameter is too small 3. Overload beyond power supply capability 4. Overload beyond controller capability 	<ol style="list-style-type: none"> 1. Reduce cable or loop supply 2. Change wider wire 3. Replace higher power supply 4. Add power repeater
No response From the remote	<ol style="list-style-type: none"> 1. The battery has no power 2. Beyond controllable distance 3. The controller did not match the remote 	<ol style="list-style-type: none"> 1. Replace battery 2. Reduce remote distance 3. Re-match the remote