

Features

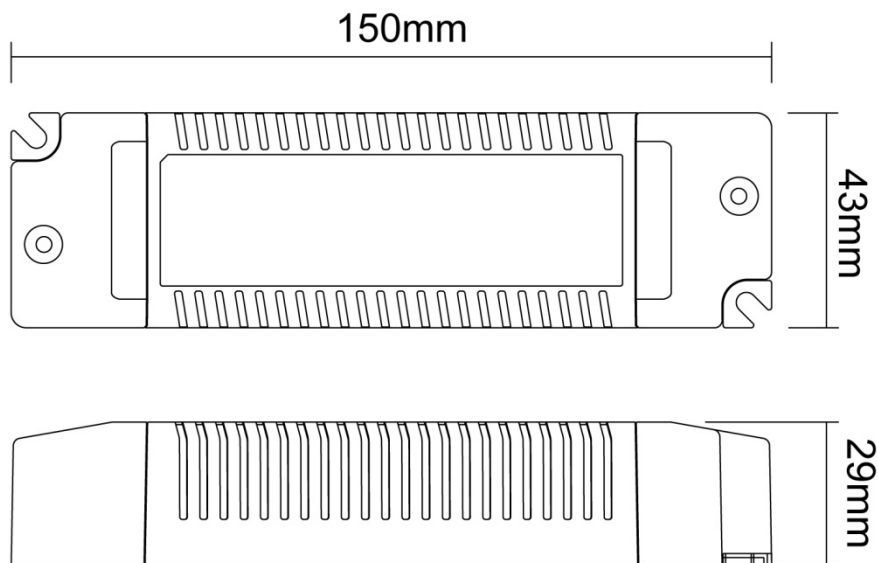
- Single channel output, output current level selectable by DIP S.W.
- Meet DALI Protocol IEC 62386.
- Wide range of input voltage 100VAC ~ 240VAC
- High efficiency up to 84%
- Built-in active PFC function
- Protections: Short circuit.
- Suitable for indoor LED lighting application



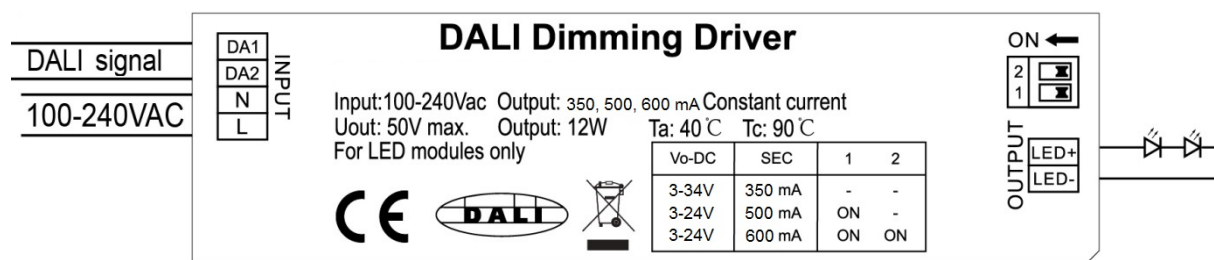
Specification

Model		EUP12D-1WMC-0		
Output	Current	350mA	500mA	600mA
	DC Voltage	3-34V	3-24V	3-20V
	Rated power	12W	12W	12W
	Current Accuracy	±5%		
	R & N (Max)	200mVp-p		
	Channels	1		
Input	Voltage Range	100VAC – 240VAC		
	Frequency Range	47 – 63Hz		
	Efficiency(Typ)	84%		
	Power Factor(Typ)	≧ 0.9		
	AC Current(Typ)	0.1A@230VAC		
	Leakage Current	<5mA/240VAC		
	Inrush current(Typ)	<1A at 230VAC		
Protection	Short Circuit	Output close, recovers automatically after fault removed		
Function	Dimming	DALI Dimming		
Others	Dimension	150 (L) *43(W)*29 (H)mm		
	G.W	130g		
	Packing	470(L)*200(W)*220(H)mm; 50pcs/6.5kg/Carton		
	Working temp.	-20℃ ~ 40℃		

Dimension



Wiring diagram



DIP-Switch selection sheet

EUP12D-1WMC-0 is a Multi-current dimming driver, output current level selectable by DIP S.W., as the following sheet shown:

Current	DIP-1	DIP- 2
350mA	OFF	OFF
500mA	ON	OFF
600mA	ON	ON

Remark: Function default setting is: 350mA (@switch are all OFF state)

● DALI Diagram

