

SERIES: POUND_T / POUND_FOCUS / POUND_SHAPER / OPTUS_T / OPTUS_WW | Bluetooth SilvaIR | Dim on Board

BRAND: i-L^èD



<p>ON/OFF DALI DALI 2 PUSH POUND_T 13 W DC - 15,5 W AC</p>	<p>ON/OFF DALI DALI 2 PUSH POUND_T 26 W DC - 29 W AC</p>	<p>ON/OFF DALI DALI 2 PUSH POUND_T 34 W DC - 39 W AC</p>	<p>ON/OFF DALI DALI 2 PUSH POUND_T Super Spot 7,2 W DC - 9 W AC</p>	<p>DALI DW 2 DTR POUND_T Dynamic White 8 W DC - 9 W AC (x channel)</p>
<p>DALI DW 2 DTR POUND_T Dynamic White 15 W DC - 17,5 W AC (x channel)</p>	<p>D.O.B. SILVAIR POUND_T 13 W DC - 15,5 W AC Bluetooth SILVAIR Dim on Board</p>	<p>D.O.B. SILVAIR POUND_T 23 W DC - 26 W AC Bluetooth SILVAIR Dim on Board</p>	<p>D.O.B. SILVAIR POUND_T 32,5 W DC - 37,5 W AC Bluetooth SILVAIR Dim on Board</p>	<p>DALI DALI 2 PUSH POUND_FOCUS 13,5 W DC - 15,5 W AC</p>
<p>DALI DALI 2 PUSH POUND_FOCUS 23 W DC - 29 W AC</p>	<p>DALI DALI 2 PUSH POUND_FOCUS 32,5 W DC - 37 W AC</p>	<p>D.O.B. SILVAIR POUND_T 13 W DC - 15,5 W AC Bluetooth SILVAIR Dim on Board</p>	<p>D.O.B. SILVAIR POUND_T 23 W DC - 29 W AC Bluetooth SILVAIR Dim on Board</p>	<p>D.O.B. SILVAIR POUND_T 32,5 W DC - 37 W AC Bluetooth SILVAIR Dim on Board</p>
<p>DALI DALI 2 PUSH POUND_SHAPER 11 W DC - 13 W AC Medium Distance</p>	<p>DALI DALI 2 PUSH POUND_SHAPER 27 W DC - 30 W AC Medium Distance</p>	<p>D.O.B. SILVAIR POUND_SHAPER 11 W DC - 13 W AC Medium Distance</p>	<p>D.O.B. SILVAIR POUND_SHAPER 27 W DC - 30 W AC Medium Distance</p>	

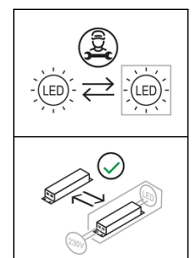
POUND
SERIE
RANGE

OPTUS
SERIE
RANGE

<p>ON/OFF DALI DALI 2 PUSH OPTUS_WW 17 W DC - 19 W AC</p>	<p>ON/OFF DALI DALI 2 PUSH OPTUS_WW 27 W DC - 30 W AC</p>	<p>ON/OFF DALI DALI 2 PUSH OPTUS_T 17 W DC - 19 W AC</p>	<p>ON/OFF DALI DALI 2 PUSH OPTUS_T 27 W DC - 30 W AC</p>
		<p>* OPTUS_T 8,5 W DC - 9 W AC 10 W DC - 12 W AC</p> <p>** D.O.B.</p>	<p>* OPTUS_T 16 W DC - 18 W AC 28 W DC - 31 W AC</p> <p>** D.O.B.</p>

* NUOVO SNODO
NEW TILTING ASSEMBLY

** NUOVO DRIVER DIM ON BOARD
NEW DIM ON BOARD DRIVER



SERIES: POUND_T / POUND_FOCUS / POUND_SHAPER / OPTUS_T / OPTUS_WW | Bluetooth Silvair | Dim on Board
BRAND: i-LED

CODICI | CODES

CODE	Type	Dimming	Input AC [V]	Dimensions [mm]	Power [W]	Weight [Kg]	Walk Over	Drive Over [Kg]	Safety Class	IP	CRI	CCT [°K] - Energy Class			N° Light Source
												2700	3000	4000	
76052	Pound Shaper_short	DALI-2	220-240	350x265x284	30	1,45	No	No	2	20	98	E	D	D	1
76053	Pound Shaper_short	DALI-2	220-240	350x265x284	30	1,45	No	No	2	20	98	E	D	D	1
76054	Pound Shaper_short	Bluetooth	220-240	350x230x284	30	1,6	No	No	2	20	98	E	D	D	1
76055	Pound Shaper_short	Bluetooth	220-240	350x230x284	30	1,6	No	No	2	20	98	E	D	D	1
76056	Pound Shaper_short	D.O.B	220-240	360x158x284	30	1,6	No	No	2	20	98	E	D	D	1
76057	Pound Shaper_short	D.O.B	220-240	360x158x284	30	1,6	No	No	2	20	98	E	D	D	1
76659	Pound Shaper_distance	DALI-2	220-240	320x265x212	13	0,455	No	No	2	20	98	E	E	E	1
76660	Pound Shaper_distance	DALI-2	220-240	320x265x212	13	0,455	No	No	2	20	98	E	E	E	1
76661	Pound Shaper_medium	DALI-2	220-240	308x265x197	13	0,445	No	No	2	20	98	E	E	E	1
76662	Pound Shaper_medium	DALI-2	220-240	308x265x197	13	0,445	No	No	2	20	98	E	E	E	1
76663	Pound Shaper_distance	Bluetooth	220-240	315x158x167	13	0,54	No	No	2	20	98	E	E	E	1
76664	Pound Shaper_distance	Bluetooth	220-240	315x158x167	13	0,54	No	No	2	20	98	E	E	E	1
76665	Pound Shaper_medium	Bluetooth	220-240	280x158x170	13	0,53	No	No	2	20	98	E	E	E	1
76666	Pound Shaper_medium	Bluetooth	220-240	280x158x170	13	0,53	No	No	2	20	98	E	E	E	1
76667	Pound Shaper_distance	D.O.B	220-240	310x230x167	13	0,54	No	No	2	20	98	E	E	E	1
76668	Pound Shaper_distance	D.O.B	220-240	310x230x167	13	0,54	No	No	2	20	98	E	E	E	1
76669	Pound Shaper_medium	D.O.B	220-240	275x230x170	13	0,53	No	No	2	20	98	E	E	E	1
76670	Pound Shaper_medium	D.O.B	220-240	275x230x170	13	0,53	No	No	2	20	98	E	E	E	1
81625	Pound_T	On/Off	220-240	170x158x115	15,5	0,39	No	No	2	20	90	E	D	D	1
81626	Pound_T	On/Off	220-240	170x158x115	15,5	0,39	No	No	2	20	90	E	D	D	1
81627	Pound_T	On/Off	220-240	170x158x115	15,5	0,39	No	No	2	20	98	E	E	E	1
81628	Pound_T	On/Off	220-240	170x158x115	15,5	0,39	No	No	2	20	98	E	E	E	1
81629	Pound_T	On/Off	220-240	170x158x115	15,5	0,39	No	No	2	20	98		E		1
81630	Pound_T	On/Off	220-240	170x158x115	15,5	0,39	No	No	2	20	98		E		1
81631	Pound_T	On/Off	220-240	221x158x165	29	0,612	No	No	2	20	90	D	D	D	1
81632	Pound_T	On/Off	220-240	221x158x165	29	0,612	No	No	2	20	90	D	D	D	1
81633	Pound_T	On/Off	220-240	221x158x165	29	0,612	No	No	2	20	98	E	D	D	1
81634	Pound_T	On/Off	220-240	221x158x165	29	0,612	No	No	2	20	98	E	D	D	1
81635	Pound_T	On/Off	220-240	221x158x165	29	0,612	No	No	2	20	98		E		1
81636	Pound_T	On/Off	220-240	221x158x165	29	0,612	No	No	2	20	98		E		1
81637	Pound_T	On/Off	220-240	265x158x190	39	0,92	No	No	2	20	90	D	D	D	1
81638	Pound_T	On/Off	220-240	265x158x190	39	0,92	No	No	2	20	90	D	D	D	1
81639	Pound_T	On/Off	220-240	265x158x190	39	0,92	No	No	2	20	98	E	D	D	1
81640	Pound_T	On/Off	220-240	265x158x190	39	0,92	No	No	2	20	98	E	D	D	1
81641	Pound_T	On/Off	220-240	265x158x190	39	0,92	No	No	2	20	98		E		1
81642	Pound_T	On/Off	220-240	265x158x190	39	0,92	No	No	1	20	98		E		1
81752	Pound_T	DALI-2	220-240	257x265x190	39	0,92	No	No	2	20	90	D	D	D	1
81753	Pound_T	DALI-2	220-240	257x265x190	39	0,92	No	No	2	20	90	D	D	D	1
81754	Pound_T	DALI-2	220-240	257x265x190	39	0,92	No	No	2	20	98	E	D	D	1
81755	Pound_T	DALI-2	220-240	257x265x190	39	0,92	No	No	2	20	98	E	D	D	1
81756	Pound_T	DALI-2	220-240	257x265x190	39	0,92	No	No	2	20	98		E		1
81757	Pound_T	DALI-2	220-240	257x265x190	39	0,92	No	No	2	20	98		E		1
81808	Pound_T	DALI-2	220-240	221x265x165	29	0,612	No	No	2	20	90	D	D	D	1
81809	Pound_T	DALI-2	220-240	221x265x165	29	0,612	No	No	2	20	90	D	D	D	1
81810	Pound_T	DALI-2	220-240	221x265x165	29	0,612	No	No	2	20	98	E	D	D	1
81811	Pound_T	DALI-2	220-240	221x265x165	29	0,612	No	No	2	20	98	E	D	D	1
81812	Pound_T	DALI-2	220-240	221x265x165	29	0,612	No	No	2	20	98		E		1
81813	Pound_T	DALI-2	220-240	221x265x165	29	0,612	No	No	2	20	98		E		1
81954	Pound_T Super Spot	DALI-2	220-240	167x265x114	9	0,383	No	No	2	20	90	F	F	F	1
81955	Pound_T Super Spot	DALI-2	220-240	167x265x114	9	0,383	No	No	2	20	90	F	F	F	1
81987	Pound_Focus	DALI-2	220-240	170x265x130	15,5	0,39	No	No	2	20	90	E	D	D	1
81988	Pound_Focus	DALI-2	220-240	170x265x130	15,5	0,39	No	No	2	20	90	E	D	D	1
81989	Pound_Focus	DALI-2	220-240	221x265x176	26	0,735	No	No	2	20	90	D	D	D	1
81990	Pound_Focus	DALI-2	220-240	221x265x176	26	0,735	No	No	2	20	90	D	D	D	1
81991	Pound_Focus	DALI-2	220-240	170x265x201	37	0,92	No	No	2	20	90	D	D	D	1
81992	Pound_Focus	DALI-2	220-240	170x265x201	37	0,92	No	No	2	20	90	D	D	D	1
82072	Pound Shaper_distance	DALI-2	220-240	350x265x324	30	1,45	No	No	2	20	98	E	D	D	1
82073	Pound Shaper_distance	DALI-2	220-240	320x265x212	13	0,455	No	No	2	20	98	G	F	F	1
82074	Pound Shaper	DALI-2	220-240	308x265x197	13	0,445	No	No	2	20	98	G	F	F	1
82105	Pound_Focus	D.O.B	220-240	170x158x130	15,5	0,39	No	No	2	20	90	E	D	D	1
82106	Pound_Focus	D.O.B	220-240	170x158x130	15,5	0,39	No	No	2	20	90	E	D	D	1
82107	Pound_Focus	D.O.B	220-240	221x158x176	29	0,612	No	No	2	20	90	D	D	D	1

Ta -20°C ÷ +50°C

SERIES: POUND_T / POUND_FOCUS / POUND_SHAPER / OPTUS_T / OPTUS_WW | Bluetooth Silvair | Dim on Board
BRAND: i-LÉD

82108	Pound_Focus	D.O.B	220-240	221x158x176	29	0,612	No	No	2	20	90	D	D	D	1
82109	Pound_Focus	D.O.B	220-240	170x158x201	37	0,92	No	No	2	20	92	F	F	E	1
82110	Pound_Focus	D.O.B	220-240	170x158x201	37	0,92	No	No	2	20	92	F	F	E	1
82114	Pound Shaper_distance	DALI-2	220-240	350x265x324	30	1,45	No	No	2	20	98	E	D	D	1
82115	Pound Shaper_distance	DALI-2	220-240	320x265x212	13	0,455	No	No	2	20	98	G	F	F	1
82116	Pound Shaper	DALI-2	220-240	308x265x197	13	0,445	No	No	2	20	98	G	F	F	1
82121	Pound Shaper_distance	D.O.B	220-240	350x158x324	30	1,6	No	No	2	20	98	E	D	D	1
82122	Pound Shaper_distance	D.O.B	220-240	350x158x324	30	1,6	No	No	2	20	98	E	D	D	1
82227	Pound_T	D.O.B	220-240	170x158x115	15,5	0,39	No	No	2	20	90	E	D	D	1
82228	Pound_T	D.O.B	220-240	170x158x115	15,5	0,39	No	No	2	20	90	E	D	D	1
82229	Pound_T	D.O.B	220-240	221x158x166	26	0,612	No	No	2	20	90	D	D	D	1
82230	Pound_T	D.O.B	220-240	221x158x166	26	0,612	No	No	2	20	90	D	D	D	1
82231	Pound_T	D.O.B	220-240	265x158x191	37,5	0,92	No	No	2	20	90	D	D	D	1
82232	Pound_T	D.O.B	220-240	265x158x190	37,5	0,92	No	No	2	20	90	D	D	D	1
82251	Optus_Ww	D.O.B	220-240	181x158x123	19	0,825	No	No	2	20	90	F	F	E	1
82252	Optus_Ww	D.O.B	220-240	181x158x123	19	0,825	No	No	2	20	90	F	F	E	1
82253	Optus_Ww	D.O.B	220-240	198x158x148	30	1,152	No	No	2	20	90	F	F	E	1
82254	Optus_Ww	D.O.B	220-240	198x158x148	30	1,152	No	No	2	20	90	F	F	E	1
82406	Pound_T	D.O.B	220-240	170x158x115	15,5	0,39	No	No	2	20	98	E	E	E	1
82407	Pound_T	D.O.B	220-240	170x158x115	15,5	0,39	No	No	2	20	98	E	E	E	1
82408	Pound_T	D.O.B	220-240	170x158x115	15,5	0,39	No	No	2	20	98		E		1
82409	Pound_T	D.O.B	220-240	170x158x115	15,5	0,39	No	No	2	20	98		E		1
82410	Pound_T	D.O.B	220-240	221x158x166	26	0,612	No	No	2	20	98	E	D	D	1
82411	Pound_T	D.O.B	220-240	221x158x166	26	0,612	No	No	2	20	98	E	D	D	1
82414	Pound_T	D.O.B	220-240	265x158x191	37,5	0,92	No	No	2	20	98	E	D	D	1
82415	Pound_T	D.O.B	220-240	265x158x191	37,5	0,92	No	No	2	20	98	E	D	D	1
82416	Pound_T	D.O.B	220-240	265x158x191	37,5	0,92	No	No	2	20	98		E		1
82417	Pound_T	D.O.B	220-240	265x158x191	37,5	0,92	No	No	2	20	98		E		1
82422	Pound_Focus	DALI-2	220-240	170x265x130	15,5	0,39	No	No	2	20	98	E	E	E	1
82423	Pound_Focus	DALI-2	220-240	170x265x130	15,5	0,39	No	No	2	20	98	E	E	E	1
82438	Pound_Focus	DALI-2	220-240	221x265x176	26	0,735	No	No	2	20	98	E	D	D	1
82439	Pound_Focus	DALI-2	220-240	221x265x176	26	0,735	No	No	2	20	98	E	D	D	1
82440	Pound_Focus	DALI-2	220-240	170x265x201	37	0,92	No	No	2	20	98	E	D	D	1
82441	Pound_Focus	DALI-2	220-240	170x265x201	37	0,92	No	No	2	20	98	E	D	D	1
82444	Pound_Focus	D.O.B	220-240	170x158x130	15,5	0,39	No	No	2	20	98	E	E	E	1
82445	Pound_Focus	D.O.B	220-240	170x158x130	15,5	0,39	No	No	2	20	98	E	E	E	1
82446	Pound_Focus	D.O.B	220-240	221x158x176	29	0,612	No	No	2	20	98	E	D	D	1
82447	Pound_Focus	D.O.B	220-240	221x158x176	29	0,612	No	No	2	20	98	E	D	D	1
82448	Pound_Focus	D.O.B	220-240	170x158x201	37	0,92	No	No	2	20	98	G	F	F	1
82449	Pound_Focus	D.O.B	220-240	170x158x201	37	0,92	No	No	2	20	98	G	F	F	1
82607	Pound_T	DALI-2	220-240	170x265x115	15,5	0,39	No	No	2	20	90	E	D	D	1
82608	Pound_T	DALI-2	220-240	170x265x115	15,5	0,39	No	No	2	20	90	E	D	D	1
82609	Pound_T	DALI-2	220-240	170x265x115	15,5	0,39	No	No	2	20	98	E	E	E	1
82610	Pound_T	DALI-2	220-240	170x265x115	15,5	0,39	No	No	2	20	98	E	E	E	1
82611	Pound_T	DALI-2	220-240	170x265x115	15,5	0,39	No	No	2	20	98		E		1
82612	Pound_T	DALI-2	220-240	170x265x115	15,5	0,39	No	No	2	20	98		E		1
83810	Pound_T	Bluetooth	220-240	221x158x166	26	0,612	No	No	2	20	90	D	D	D	1
83899	Pound Shaper_distance	Bluetooth	220-240	360x158x324	30	1,6	No	No	2	20	98	E	D	D	1
83900	Pound Shaper_distance	Bluetooth	220-240	360x158x324	30	1,6	No	No	2	20	98	E	D	D	1
83921	Optus_Ww	Bluetooth	220-240	135x158x123	19	0,825	No	No	2	20	90	F	F	E	1
83922	Optus_Ww	Bluetooth	220-240	135x158x123	19	0,825	No	No	2	20	90	F	F	E	1
83923	Optus_Ww	Bluetooth	220-240	198x158x148	30	1,152	No	No	2	20	90	F	F	E	1
83924	Optus_Ww	Bluetooth	220-240	135x158x148	30	1,152	No	No	2	20	90	F	F	E	1
84165	Pound_T	DALI-2	220-240	221x265x165	9	0,612	No	No	2	20	90				1
84166	Pound_T	DALI-2	220-240	221x265x165	9	0,612	No	No	2	20	90				1
84167	Pound_T	DALI-2	220-240	265x158x190	17,5	0,92	No	No	2	20	90				1
84168	Pound_T	DALI-2	220-240	265x158x190	17,5	0,92	No	No	1	20	90				1
C00432	Optus_T V2	On/Off	220-240	153x158x74	18	0,65	No	No	2	20	90	D	D	D	1
C00433	Optus_T V2	On/Off	220-240	153x158x74	18	0,65	No	No	2	20	98	E	D	D	1
C00434	Optus_T V2	On/Off	220-240	153x158x74	18	0,65	No	No	2	20	98		E		1
C00435	Optus_T V2	DALI-2	220-240	153x265x74	18	0,66	No	No	2	20	90	D	D	D	1
C00436	Optus_T V2	DALI-2	220-240	153x265x74	18	0,66	No	No	2	20	98	E	D	D	1
C00438	Optus_T V2	DALI-2	220-240	153x265x74	18	0,66	No	No	2	20	98		E		1
C00440	Optus_T V2	On/Off	220-240	153x230x74	27	0,65	No	No	2	20	90	D	D	D	1
C00441	Optus_T V2	On/Off	220-240	153x230x74	27	0,65	No	No	2	20	98	E	D	D	1
C00443	Optus_T V2	On/Off	220-240	153x230x74	27	0,65	No	No	2	20	98		E		1

Ta -20°C ÷ +50°C

SERIES: POUND_T / POUND_FOCUS / POUND_SHAPER / OPTUS_T / OPTUS_WW | Bluetooth Silvair | Dim on Board
BRAND: i-L^èD

C00446	Optus_T V2	DALI-2	220-240	153x265x74	27	0,66	No	No	2	20	90	D	D	D	1
C00448	Optus_T V2	DALI-2	220-240	153x265x74	27	0,66	No	No	2	20	98	E	D	D	1
C00449	Optus_T V2	DALI-2	220-240	153x265x74	27	0,66	No	No	2	20	98		E		1
C00473	Optus_Ww	On/Off	220-240	181x158x123	19	0,825	No	No	2	20	90	F	F	E	1
C00474	Optus_Ww	DALI-2	220-240	181x158x123	19	0,825	No	No	2	20	90	F	F	E	1
C00475	Optus_Ww	On/Off	220-240	198x158x148	30	1,152	No	No	2	20	90	F	F	E	1
C00476	Optus_Ww	DALI-2	220-240	198x158x148	30	1,152	No	No	2	20	90	F	F	E	1
C00993	Optus_T V2	On/Off	220-240	154x158x66.5	10	0,35	No	No	2	20	90	E	E	E	1
C00994	Optus_T V2	DALI-2	220-240	154x265x66.5	10	0,35	No	No	2	20	90	E	E	E	1
C00995	Optus_T V2	On/Off	220-240	154x158x66.5	12	0,412	No	No	2	20	98		E		1
C00996	Optus_T V2	On/Off	220-240	154x158x66.5	12	0,412	No	No	2	20	98	E	D	D	1
C00997	Optus_T V2	On/Off	220-240	154x158x66.5	12	0,412	No	No	2	20	90	D	D	D	1
C00998	Optus_T V2	DALI-2	220-240	154x265x66.5	12	0,412	No	No	2	20	98		E		1
C00999	Optus_T V2	DALI-2	220-240	154x265x66.5	12	0,412	No	No	2	20	98	E	D	D	1
C01000	Optus_T V2	DALI-2	220-240	154x265x66.5	12	0,412	No	No	2	20	90	D	D	D	1
C01382	Optus_Ww V2 *	On/Off	220-240	198x158x148	30	1,152	No	No	2	20	90	F	F	E	1
C01383	Optus_Ww V2 *	DALI-2	220-240	198x158x148	30	1,152	No	No	2	20	90	F	F	E	1
C01716	Optus_T V2 * **	D.O.B	220-240	154x178x66	10	0,35	No	No	2	20	90	E	E	E	1
C01717	Optus_T V2 * **	D.O.B	220-240	154x178x66	12	0,412	No	No	2	20	98		E		1
C01718	Optus_T V2 * **	D.O.B	220-240	154x178x66	12	0,412	No	No	2	20	98	E	D	D	1
C01719	Optus_T V2 * **	D.O.B	220-240	154x178x66	12	0,412	No	No	2	20	90	D	D	D	1
C01720	Optus_T V2 * **	D.O.B	220-240	153x178x73	18	0,66	No	No	2	20	98		E		1
C01721	Optus_T V2 * **	D.O.B	220-240	153x178x73	18	0,66	No	No	2	20	98	E	D	D	1
C01722	Optus_T V2 * **	D.O.B	220-240	153x178x73	18	0,66	No	No	2	20	90	D	D	D	1
C01723	Optus_T V2 * **	D.O.B	220-240	153x178x73	31	0,65	No	No	2	20	98		E		1
C01724	Optus_T V2 * **	D.O.B	220-240	153x178x73	31	0,65	No	No	2	20	98	E	D	D	1
C01725	Optus_T V2 * **	D.O.B	220-240	153x230x74	31	0,65	No	No	2	20	90	D	D	D	1
C01726	Optus_Ww V2 * **	D.O.B	220-240	198x158x148	30	1,152	No	No	2	20	90	F	F	E	1

Ta -20°C ÷ +50°C

* NUOVO SNODO IN PC
NEW PC TILTING ASSEMBLY

** NUOVO DRIVER DIM ON BOARD
NEW DIM ON BOARD DRIVER



SERIES: POUND_T / POUND_FOCUS / POUND_SHAPER / OPTUS_T / OPTUS_WW | Bluetooth SilvaIR | Dim on Board

BRAND: i-LèD

MISURE / DIMENSIONS

<p>POUND_T 13 W DC - 15,5 W AC</p>	<p>POUND_T 26 W DC - 29 W AC</p>	<p>POUND_T 34 W DC - 39 W AC</p>	<p>POUND_T Super Spot 7,2 W DC - 9 W AC</p>	<p>POUND_T Dynamic White 8 W DC - 9 W AC (x channel)</p>
<p>POUND_T Dynamic White 15 W DC - 17,5 W AC (x channel)</p>	<p>POUND_T 13 W DC - 15,5 W AC Bluetooth SILVAIR Dim on Board</p>	<p>POUND_T 23 W DC - 26 W AC Bluetooth SILVAIR Dim on Board</p>	<p>POUND_T 32,5 W DC - 37,5 W AC Bluetooth SILVAIR Dim on Board</p>	<p>POUND_FOCUS 13,5 W DC - 15,5 W AC</p>
<p>POUND_FOCUS 23 W DC - 29 W AC</p>	<p>POUND_FOCUS 32,5 W DC - 37 W AC</p>	<p>POUND_T 13 W DC - 15,5 W AC Bluetooth SILVAIR Dim on Board</p>	<p>POUND_T 23 W DC - 29 W AC Bluetooth SILVAIR Dim on Board</p>	<p>POUND_T 32,5 W DC - 37 W AC Bluetooth SILVAIR Dim on Board</p>
<p>POUND_SHAPER 11 W DC - 13 W AC Medium Distance</p>	<p>POUND_SHAPER 27 W DC - 30 W AC Medium Distance</p>	<p>POUND_SHAPER 11 W DC - 13 W AC Medium Distance</p>	<p>POUND_SHAPER 27 W DC - 30 W AC Medium Distance</p>	

MISURA DRIVER IN BASE ALLA TIPOLOGIA DI CONTROLLO
DRIVER LENGTH BASED ON CONTROL TYPE

ON/OFF D.O.B. SILVAIR	158	31
* D.O.B.	178	31
DALI DW 2 DTR	255	31
DALI DALI 2 PUSH	265	31

POUND
SERIE
RANGE

OPTUS
SERIE
RANGE

<p>OPTUS_WW 17 W DC - 19 W AC</p>	<p>OPTUS_WW 27 W DC - 30 W AC</p>	<p>OPTUS_T 17 W DC - 19 W AC</p>	<p>OPTUS_T 27 W DC - 30 W AC</p>
--	--	---	---

* NUOVO SNODO
NEW TILTING ASSEMBLY

** NUOVO DRIVER DIM ON BOARD
NEW DIM ON BOARD DRIVER

SERIES: POUND_T / POUND_FOCUS / POUND_SHAPER / OPTUS_T / OPTUS_WW | Bluetooth Silvair | Dim on Board

BRAND: i-LèD

MISURE / DIMENSIONS

 <p>138</p> <p>ON/OFF DALI DALI 2 PUSH POUND_T 13 W DC - 15,5 W AC</p>	 <p>186</p> <p>ON/OFF DALI DALI 2 PUSH POUND_T 26 W DC - 29 W AC</p>	 <p>213</p> <p>ON/OFF DALI DALI 2 PUSH POUND_T 34 W DC - 39 W AC</p>	 <p>137</p> <p>ON/OFF DALI DALI 2 PUSH POUND_T Super Spot 7,2 W DC - 9 W AC</p>	 <p>187</p> <p>DALI DW 2 DTR POUND_T Dynamic White 8 W DC - 9 W AC (x channel)</p>
 <p>211</p> <p>DALI DW 2 DTR POUND_T Dynamic White 15 W DC - 17,5 W AC (x channel)</p>	 <p>179</p> <p>D.O.B. SILVAIR POUND_T 13 W DC - 15,5 W AC Bluetooth SILVAIR Dim on Board</p>	 <p>229</p> <p>D.O.B. SILVAIR POUND_T 23 W DC - 26 W AC Bluetooth SILVAIR Dim on Board</p>	 <p>253</p> <p>D.O.B. SILVAIR POUND_T 32,5 W DC - 37,5 W AC Bluetooth SILVAIR Dim on Board</p>	 <p>160</p> <p>DALI DALI 2 PUSH POUND_FOCUS 13,5 W DC - 15,5 W AC</p>
 <p>186</p> <p>DALI DALI 2 PUSH POUND_FOCUS 23 W DC - 29 W AC</p>	 <p>223</p> <p>DALI DALI 2 PUSH POUND_FOCUS 32,5 W DC - 37 W AC</p>	 <p>193</p> <p>D.O.B. SILVAIR POUND_T 13 W DC - 15,5 W AC Bluetooth SILVAIR Dim on Board</p>	 <p>236</p> <p>D.O.B. SILVAIR POUND_T 23 W DC - 29 W AC Bluetooth SILVAIR Dim on Board</p>	 <p>263</p> <p>D.O.B. SILVAIR POUND_T 32,5 W DC - 37 W AC Bluetooth SILVAIR Dim on Board</p>
 <p>236</p> <p>DALI DALI 2 PUSH POUND_SHAPER 11 W DC - 13 W AC Medium Distance</p>	 <p>350</p> <p>DALI DALI 2 PUSH POUND_SHAPER 27 W DC - 30 W AC Medium Distance</p>	 <p>272</p> <p>D.O.B. SILVAIR POUND_SHAPER 11 W DC - 13 W AC Medium Distance</p>	 <p>387</p> <p>D.O.B. SILVAIR POUND_SHAPER 27 W DC - 30 W AC Medium Distance</p>	

POUND
SERIE
RANGE

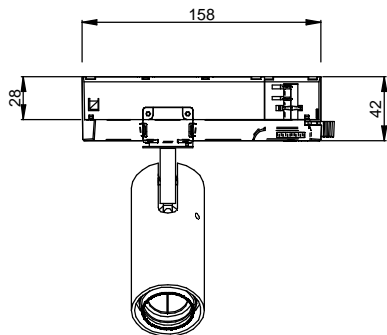
OPTUS
SERIE
RANGE

	 <p>106</p> <p>ON/OFF DALI DALI 2 PUSH * OPTUS_T 8,5 W DC - 9 W AC 10 W DC - 12 W AC</p>	 <p>126</p> <p>ON/OFF DALI DALI 2 PUSH * OPTUS_T 16 W DC - 18 W AC 28 W DC - 31 W AC</p>	<p>* NUOVO SNODO NEW TILTING ASSEMBLY</p>
 <p>116</p> <p>ON/OFF DALI DALI 2 PUSH OPTUS_WW 17 W DC - 19 W AC</p>	 <p>135 131</p> <p>ON/OFF DALI DALI 2 PUSH ** D.O.B. * OPTUS_WW 27 W DC - 30 W AC</p>	 <p>158</p> <p>D.O.B. SILVAIR OPTUS_T 17 W DC - 19 W AC</p>	<p>** NUOVO DRIVER DIM ON BOARD NEW DIM ON BOARD DRIVER</p> <p>** D.O.B.</p>
		 <p>172</p> <p>D.O.B. SILVAIR OPTUS_T 27 W DC - 30 W AC</p>	

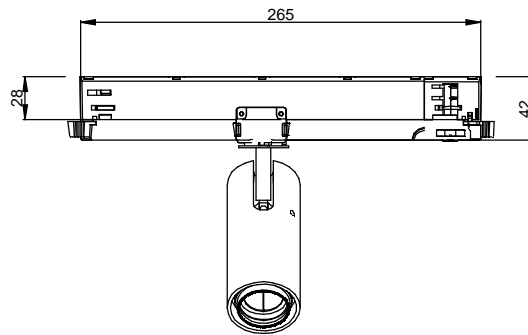
SERIES: POUND_T / POUND_FOCUS / POUND_SHAPER / OPTUS_T / OPTUS_WW | Bluetooth Silvoir | Dim on Board
 BRAND: i-LED

PRE-INSTALLAZIONE/ PRE-INSTALLATION

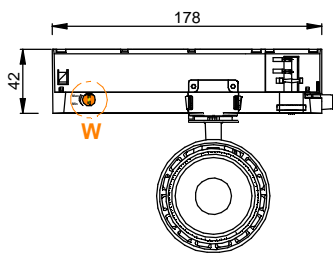
INDIVIDUARE IL TIPO DI ADATTATORE DRIVER A BINARIO A SECONDA DELLA TECNOLOGIA
 FIND THE TRACK DRIVER/ADAPTER DIMENSIONS ACCORNDING TO ITS TECNOLOGY



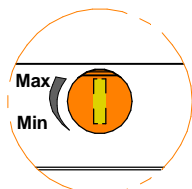
ON/OFF



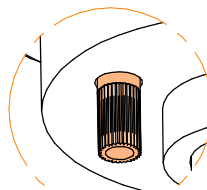
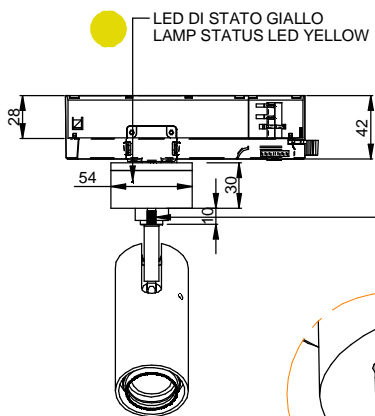
**DALI DALI DW
2 PUSH DT8**



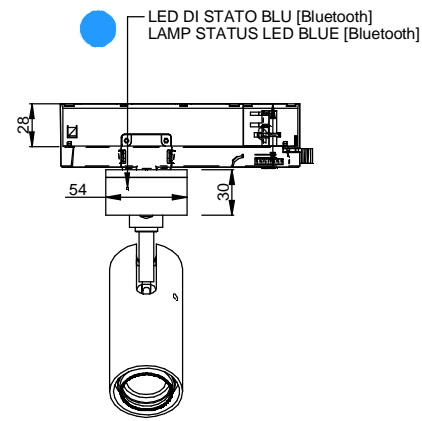
**** NUOVO DRIVER DIM ON BOARD
NEW DIM ON BOARD DRIVER**



**DETTAGLIO W
DETAIL W**

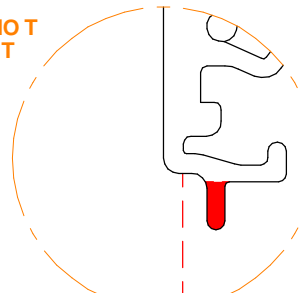
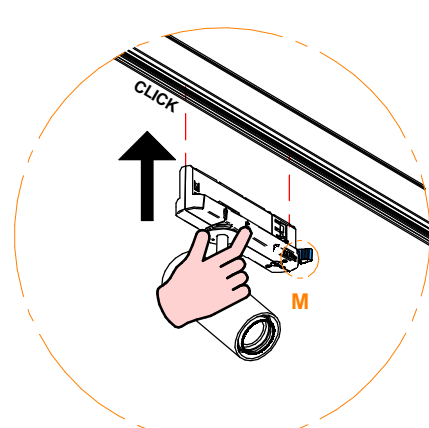
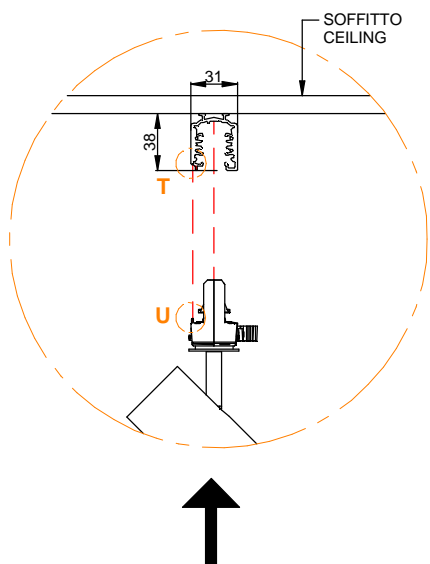


**DIMMER ROTATIVO A BORDO
ROTATIVE DIMMER ON BOARD**

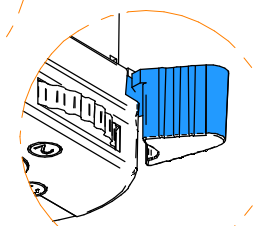


INSTALLAZIONE / INSTALLATION

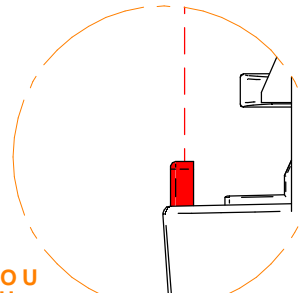
ON/OFF Technology Partner



**DETTAGLIO T
DETAIL T**



**DETTAGLIO M
DETAIL M**

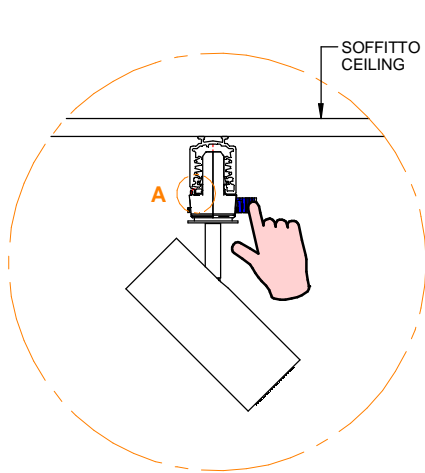


**DETTAGLIO U
DETAIL U**

IL SELETTORE DEVE ESSERE IN POSIZIONE OFF IN BLU

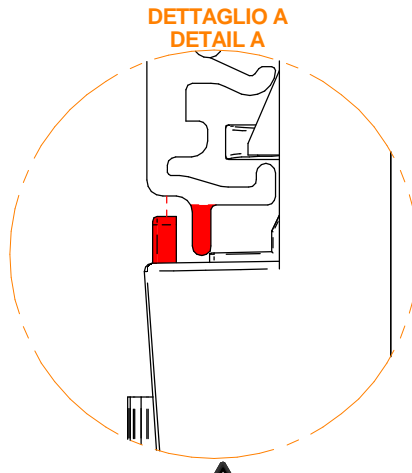
THE LEVER NEEDS TO BE IN OFF POSITION AS SWOWN AS BLUE

SERIES: POUND_T / POUND_FOCUS / POUND_SHAPER / OPTUS_T / OPTUS_WW | Bluetooth Silvair | Dim on Board
BRAND: i-L^èD



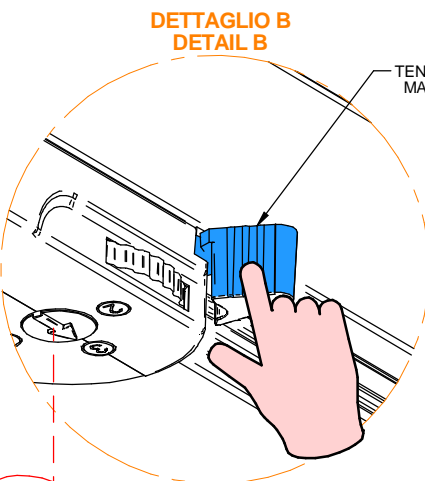
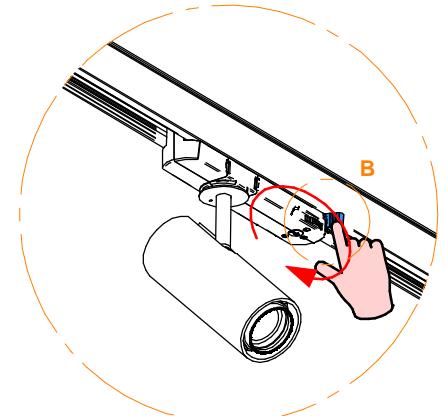
PREMERE IL SELETTORE PARALLELAMENTE AL SOFFITTO FARLO RUOTARE DI 90° FINO A CHE SI BLOCCA

PUSH THE LEVER PARALLEL TO THE CEILING, MUST BE ROTATED 90° UNTIL IT LOCKS



LE DUE PARTI IN ROSSO DEVONO ESSERE POSIZIONATE DALLO STESSO LATO

THE TWO HIGHLIGHTED RED PARTS MUST BE ON THE SAME SIDE

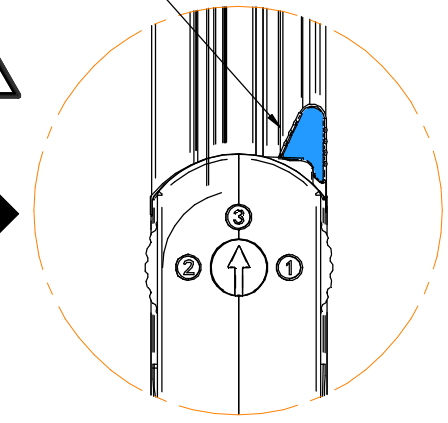
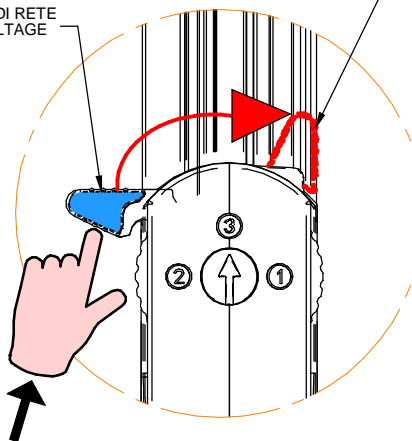


TENSIONE DI RETE
MAINS VOLTAGE

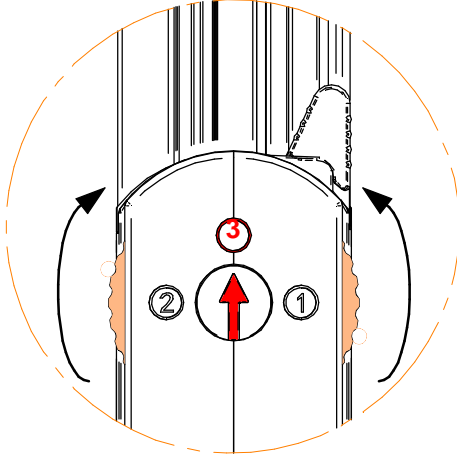
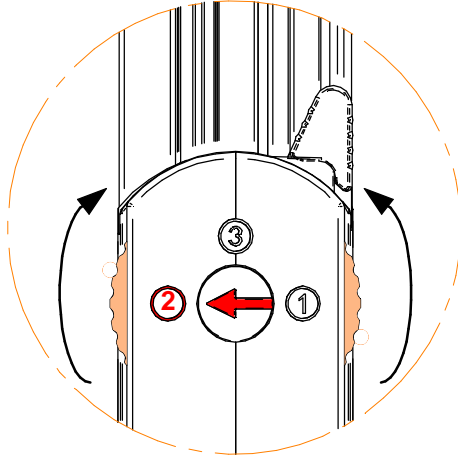
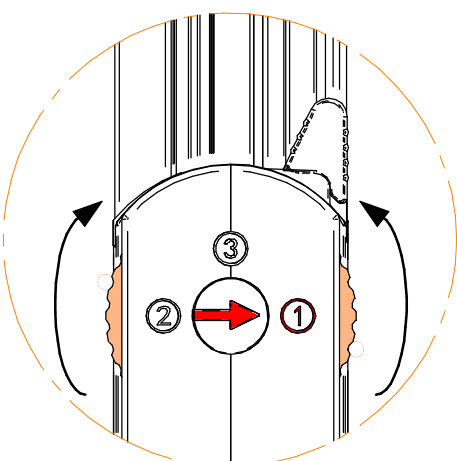
OFF

CLICK

ON



SELEZIONARE LA LINEA TRA 1, 2, 3, RUOTANDO IL SELETTORE IN ARANCIONE
SELECT THE LINE SUPPLY AMONG 1, 2, 3, USING THE ORANGE HIGHLIGHTED ROTATIVE SELECTOR

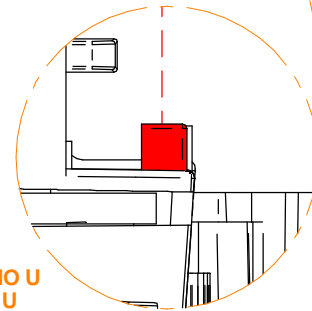
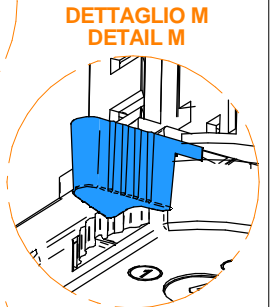
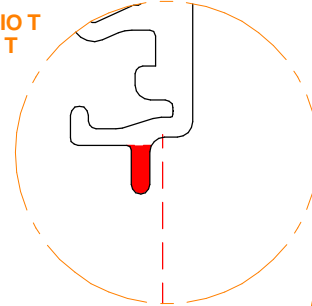
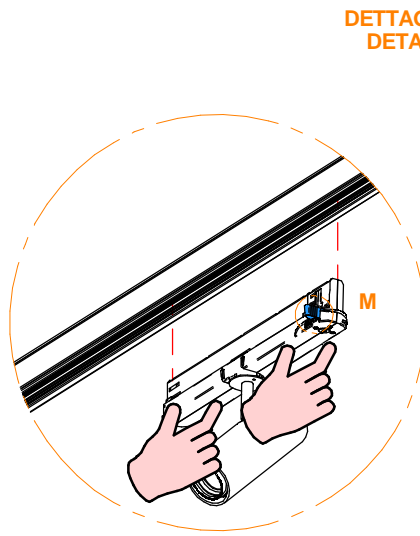
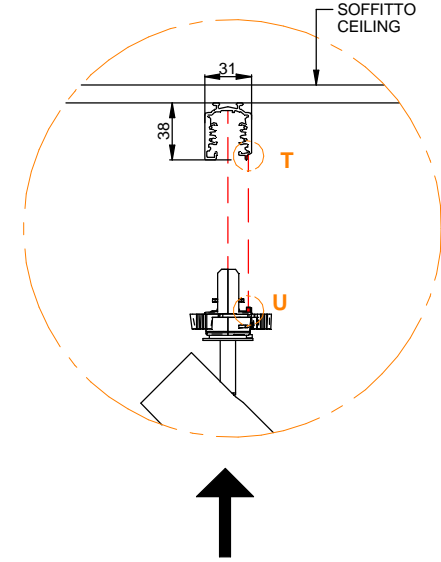


SERIES: POUND_T / POUND_FOCUS / POUND_SHAPER / OPTUS_T / OPTUS_WW | Bluetooth Silvair | Dim on Board

BRAND: i-LèD

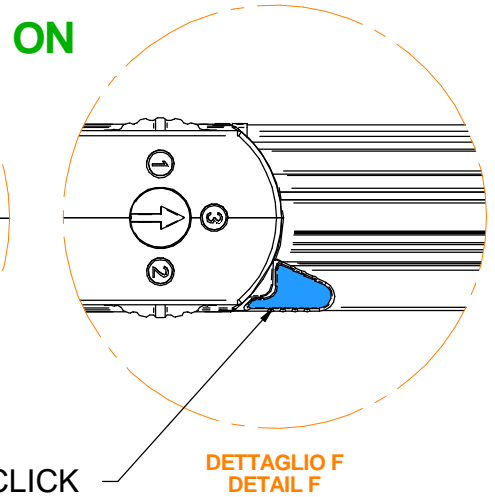
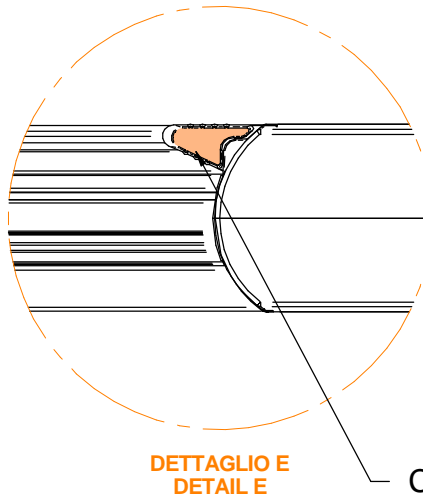
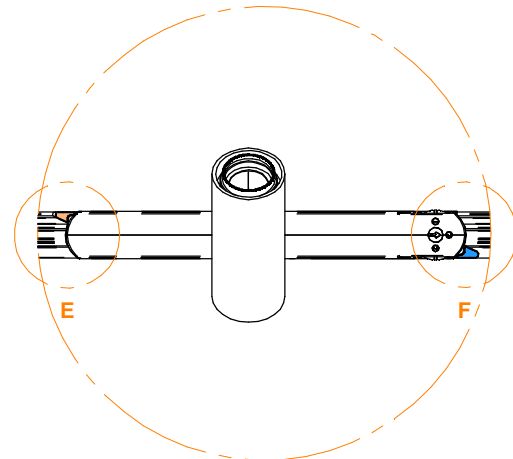
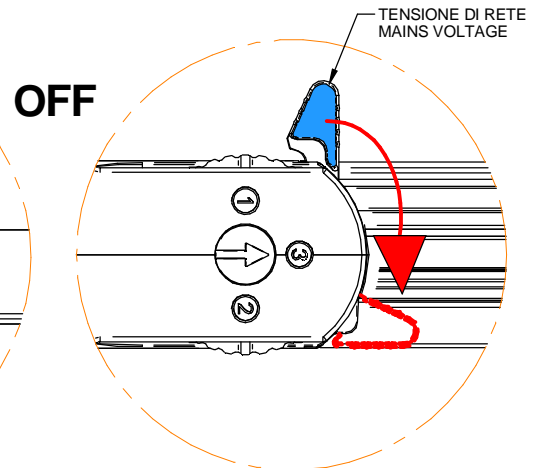
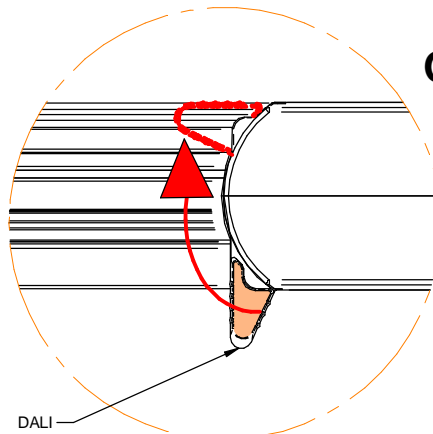
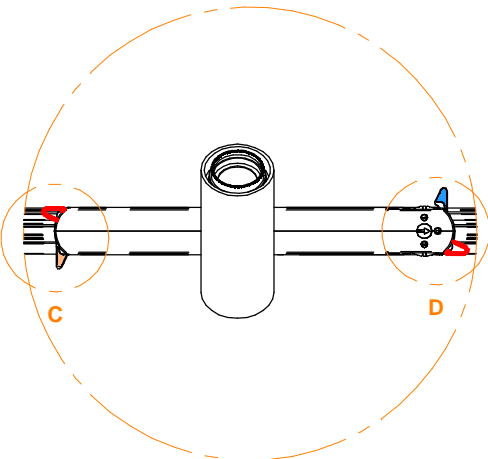
INSTALLAZIONE / INSTALLATION

DALI DALI DW
2 PUSH DT8



IL SELETTORE DEVE
ESSERE IN
POSIZIONE OFF
IN BLU

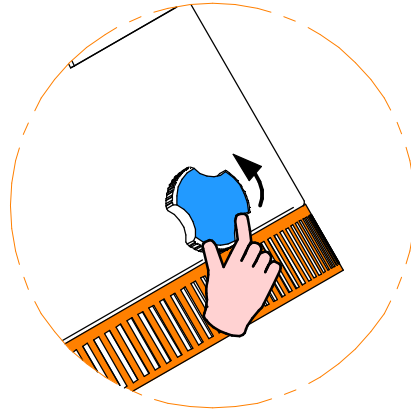
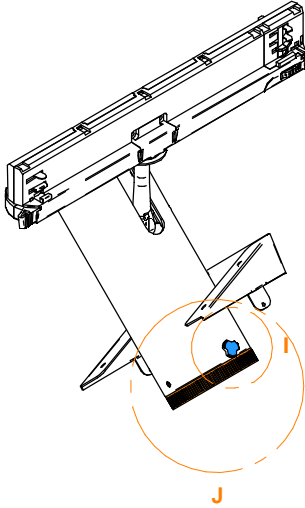
THE LEVER NEEDS
TO BE IN OFF
POSITION AS
SHOWN AS
BLUE



SERIES: POUND_T / POUND_FOCUS / POUND_SHAPER / OPTUS_T / OPTUS_WW | Bluetooth Silvair | Dim on Board

BRAND: i-LèD

FUNZIONAMENTO OTTICHE CON FOCALE VARIABILE / ADJUSTABLE FOCUS FITTINGS FUNCTIONING



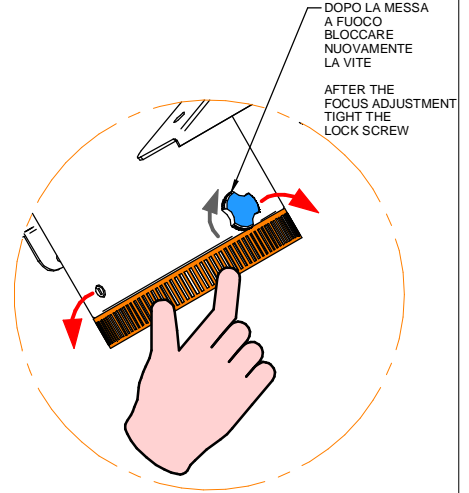
DETTAGLIO I
DETAIL I

LA VITE DI BLOCCO DELLA FOCALIA DEVE ESSERE SVITATA PRIMA DELLA REGOLAZIONE IN BLU

RUOTARE LA GHIERA PER AUMENTARE O DIMINUIRE LA FOCALIA

THE OPTICS LOCK SCREW NEEDS TO BE LOOSEN BEFORE ADJUSTING THE FOCUS BLUE HIGHLIGHTED

ROTATE THE ORANGE HIGHLIGHTED PART TO ADJUST THE FOCUS



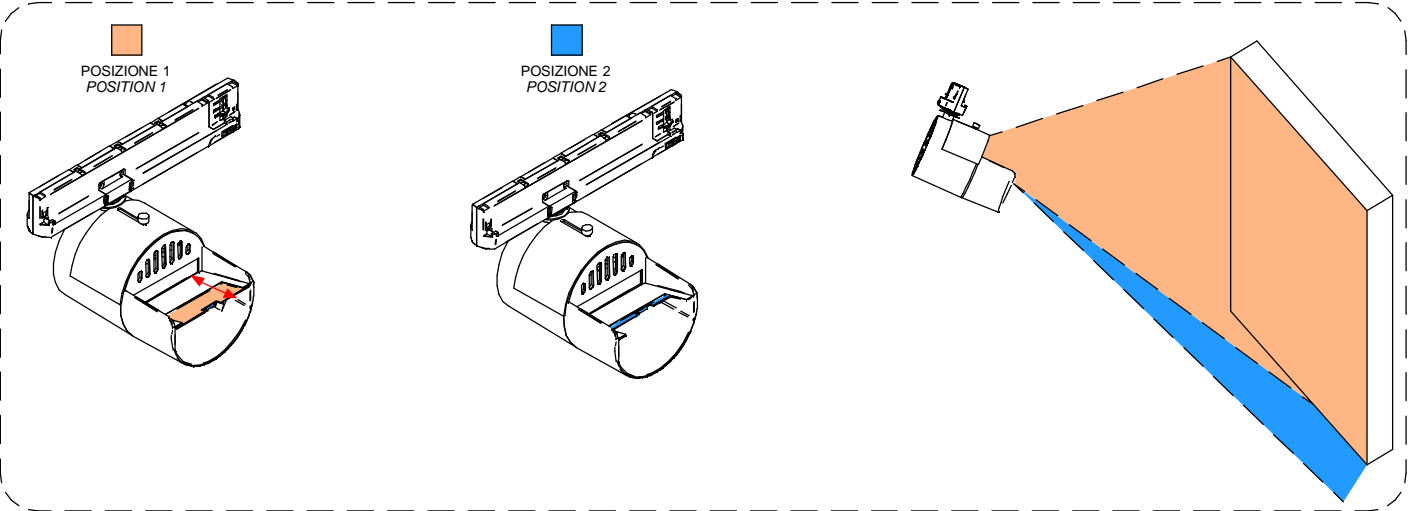
DETTAGLIO J
DETAIL J

DOPO LA MESSA A FUOCO BLOCCARE NUOVAMENTE LA VITE

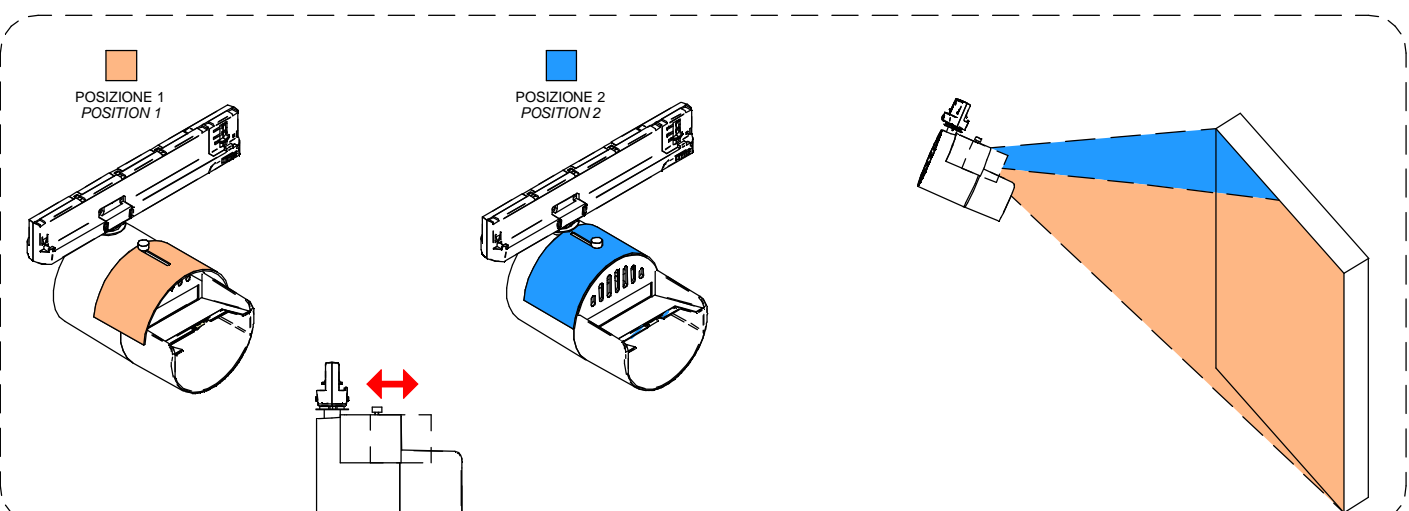
AFTER THE FOCUS ADJUSTMENT TIGHT THE LOCK SCREW

FUNZIONAMENTO OTTICHE WALL WASHER / WALL WASHER FITTINGS FUNCTIONING

REGOLAZIONE 1
ADJUSTMENT 1



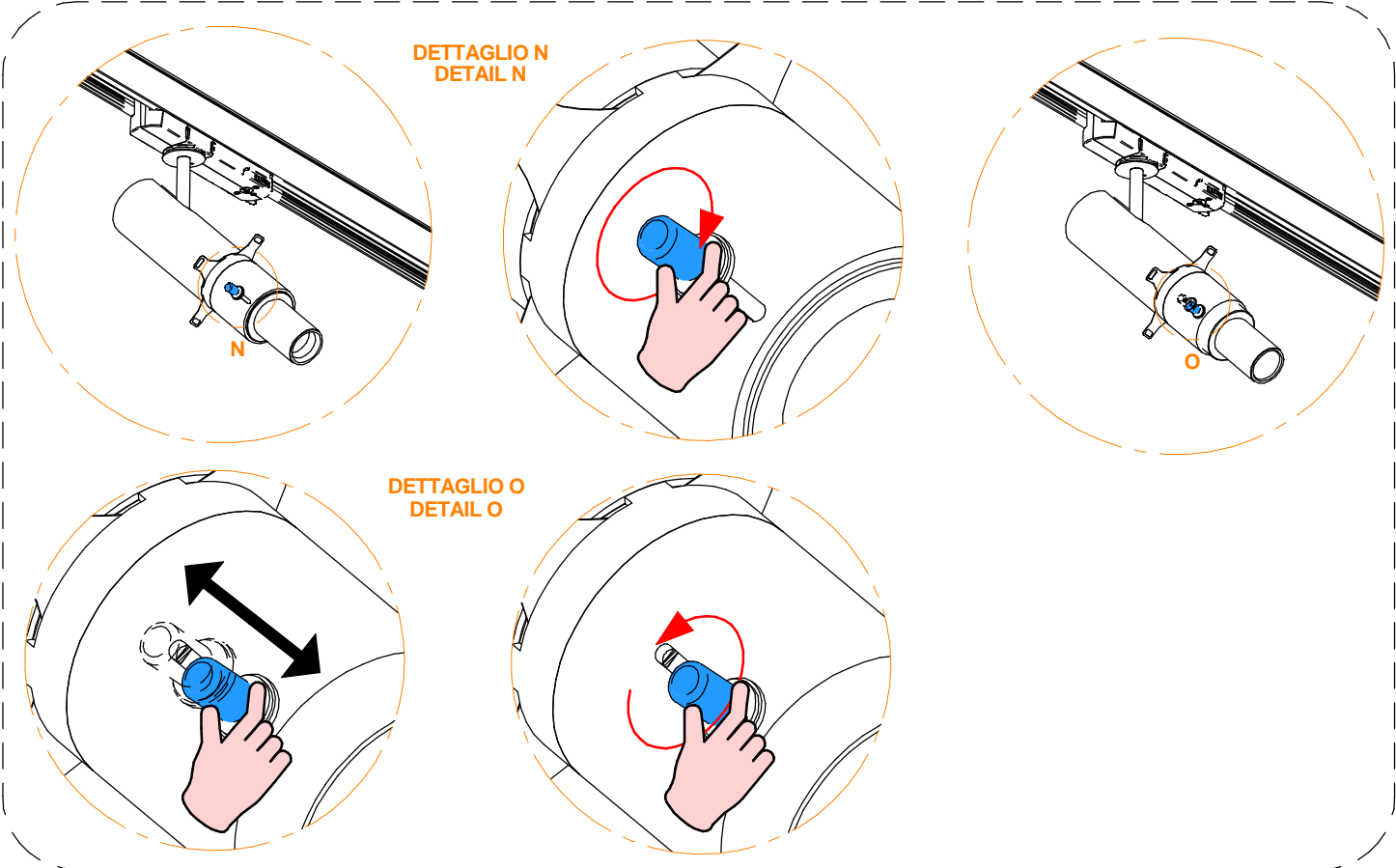
REGOLAZIONE 2
ADJUSTMENT 2



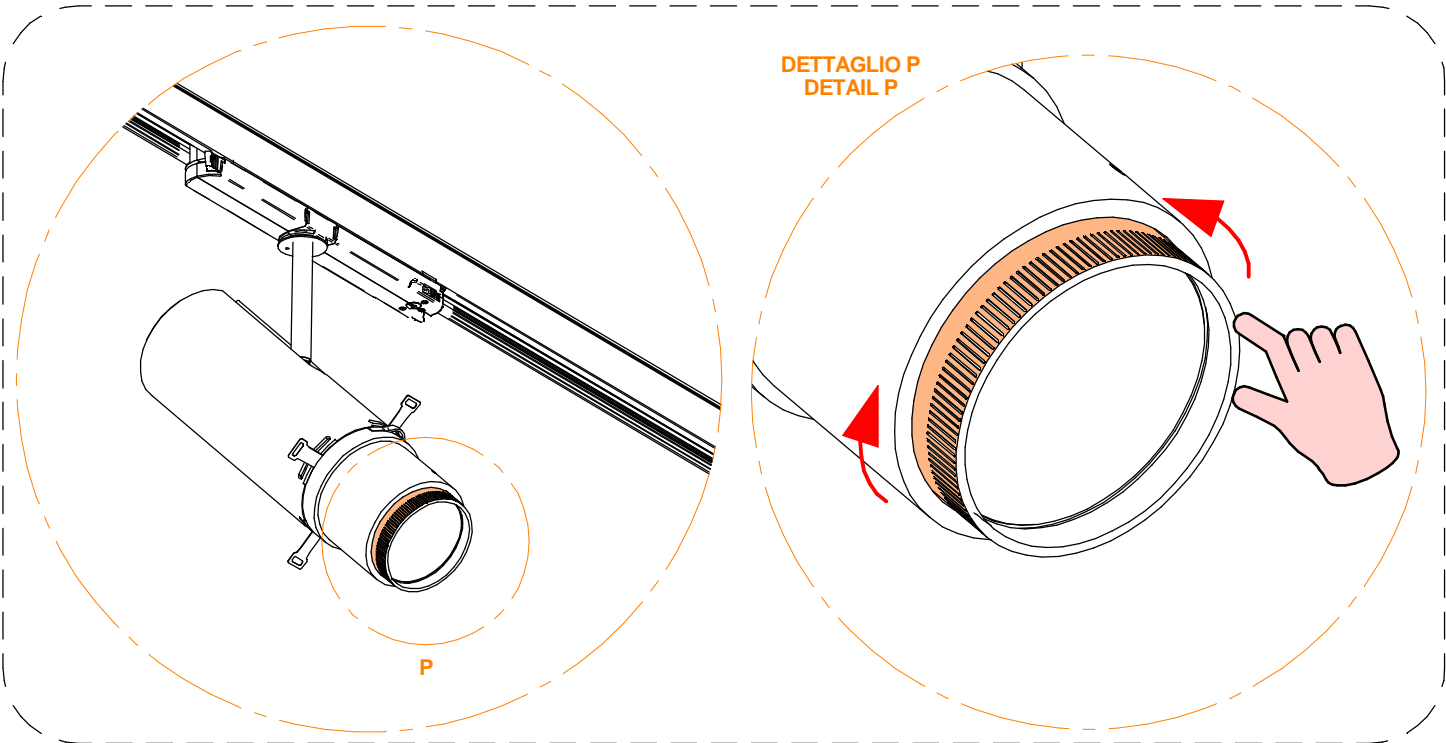
SERIES: POUND_T / POUND_FOCUS / POUND_SHAPER / OPTUS_T / OPTUS_WW | Bluetooth Silvair | Dim on Board
BRAND: i-LèD

FUNZIONAMENTO POUND SHAPER / POUND SHAPER FUNCTIONING

POUND SHAPER 11W
MESSA A FUOCO
FOCUSING

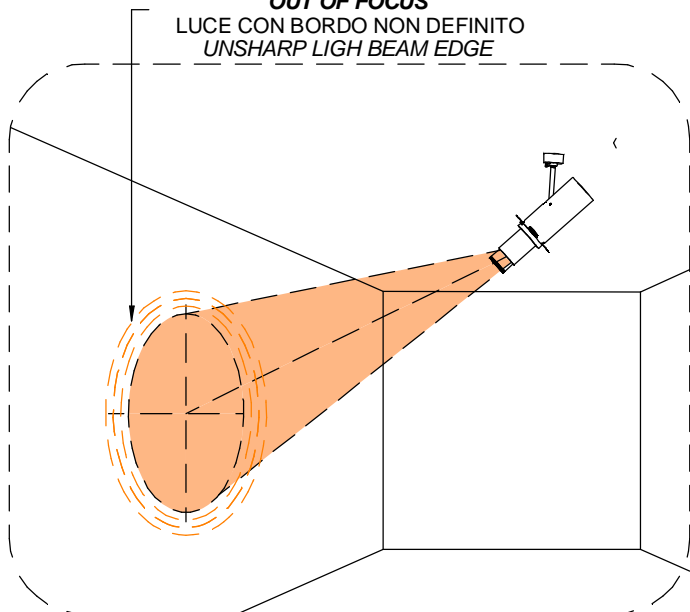


POUND SHAPER 30W
MESSA A FUOCO
FOCUSING

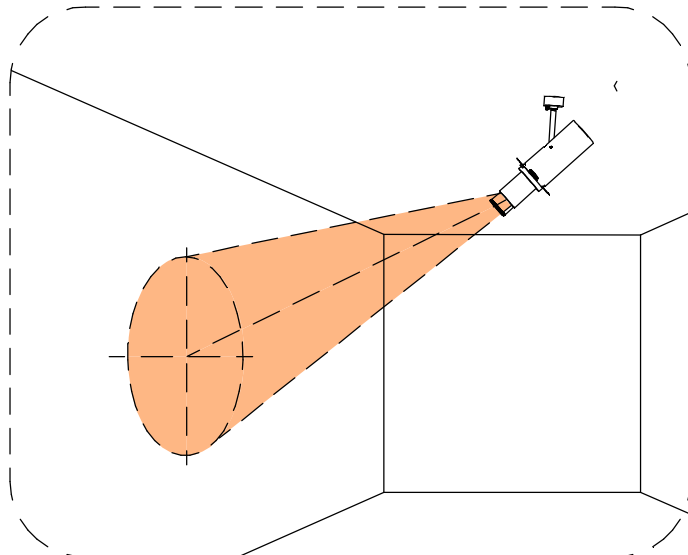


SERIES: POUND_T / POUND_FOCUS / POUND_SHAPER / OPTUS_T / OPTUS_WW | Bluetooth Silvair | Dim on Board
BRAND: i-LèD

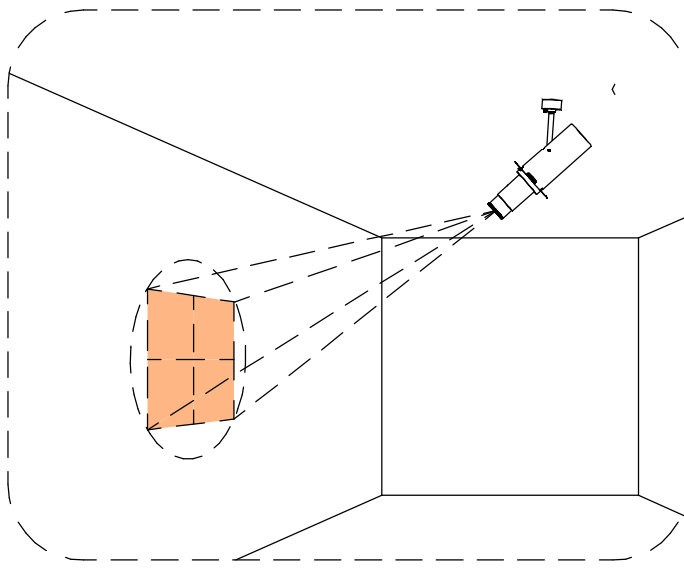
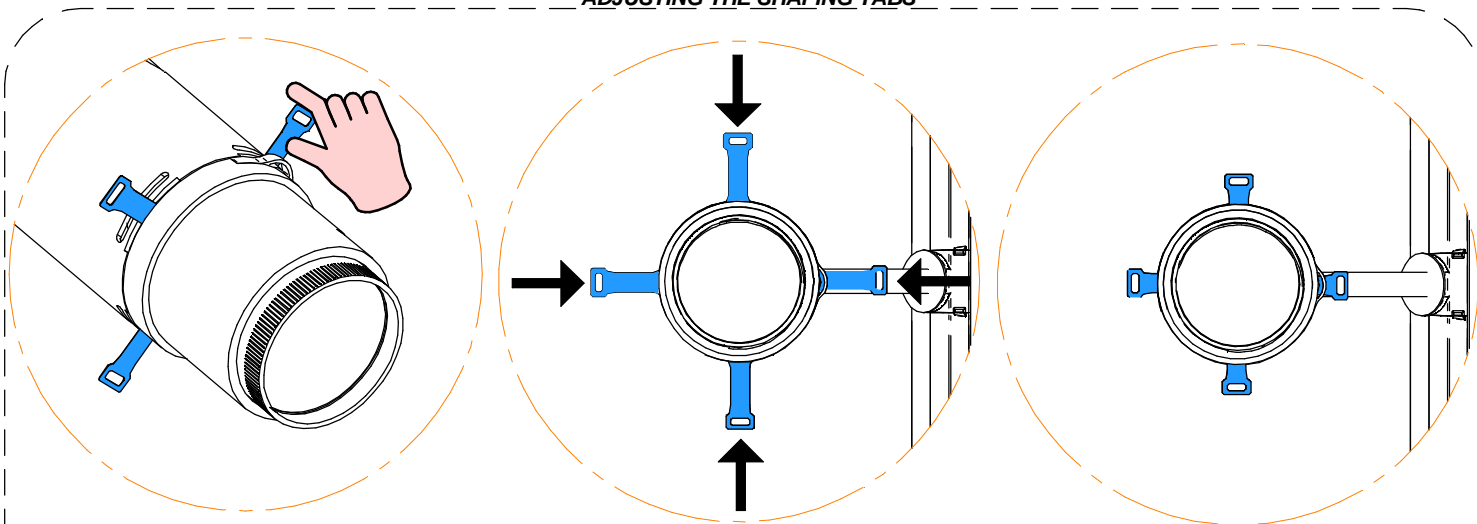
FUORI FUOCO
OUT OF FOCUS
LUCE CON BORDO NON DEFINITO
UNSHARP LIGH BEAM EDGE



A FUOCO
IN FOCUS
LUCE CON BORDO DEFINITO
SHARP LIGH BEAM EDGE

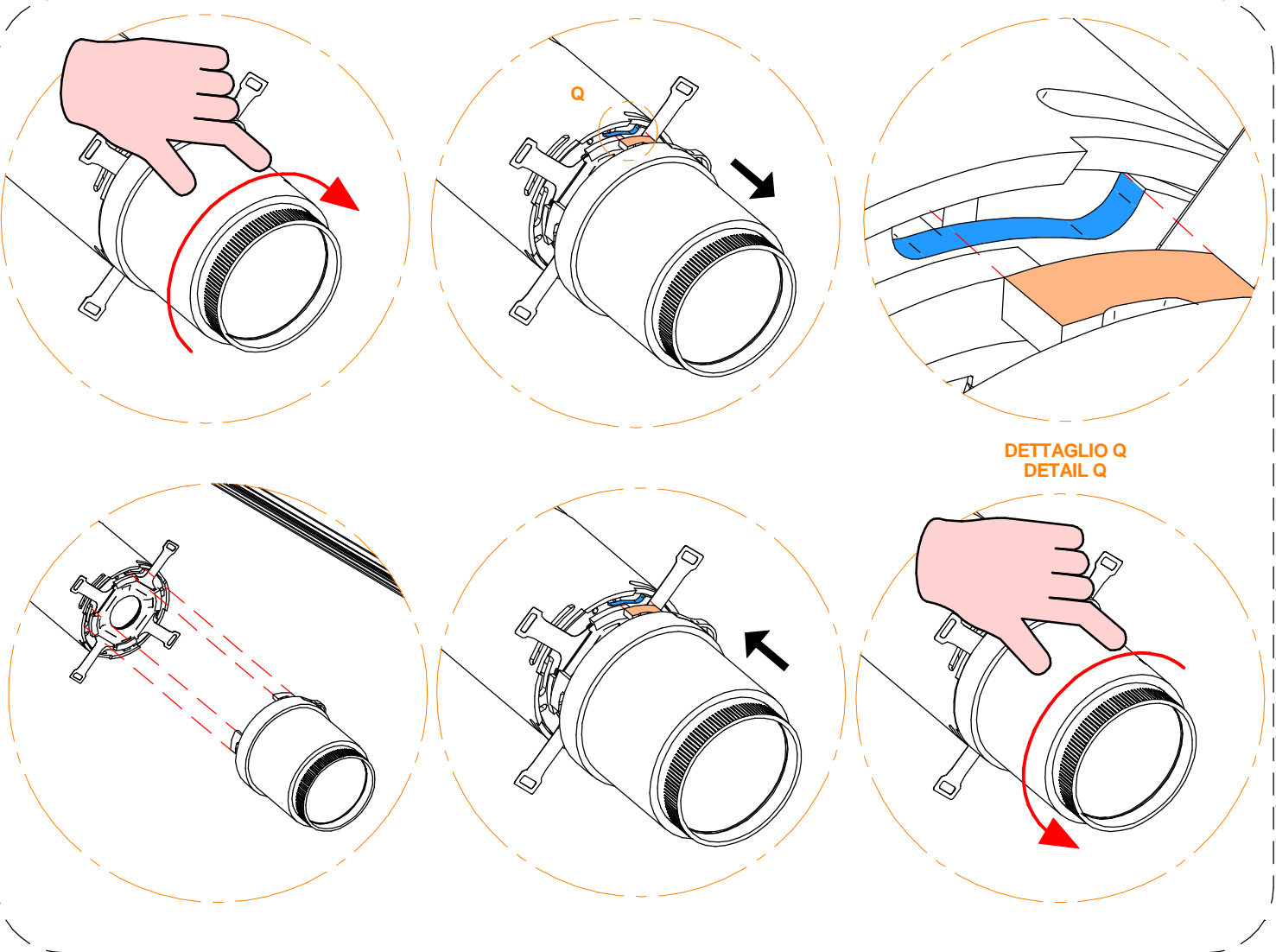


REGOLAZIONE DELLE ALETTE DI SAGOMATURA
ADJUSTING THE SHAPING TABS



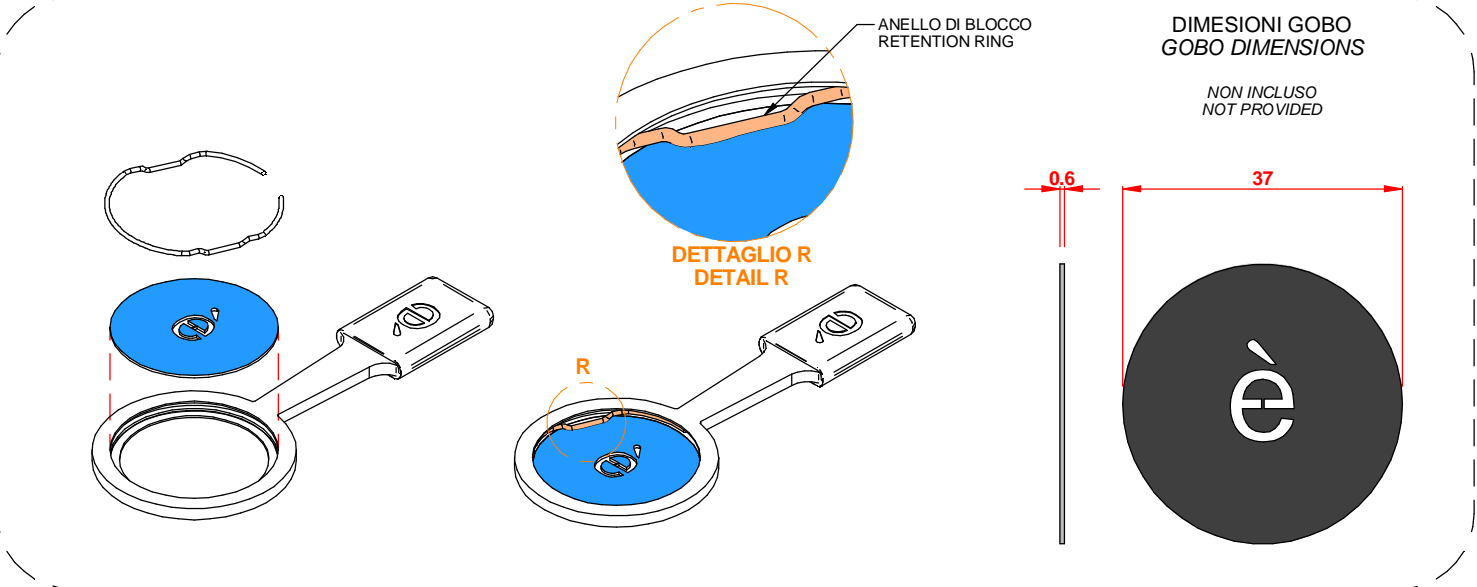
SERIES: POUND_T / POUND_FOCUS / POUND_SHAPER / OPTUS_T / OPTUS_WW | Bluetooth Silvair | Dim on Board
BRAND: i-L^èD

SOSTITUZIONE DEL CORPO OTTICO
OPTICS REPLACEMENT



DETTAGLIO Q
DETAIL Q

INSERIMENTO GOBO
GOBO INSTALL



ANELLO DI BLOCCO
RETENTION RING

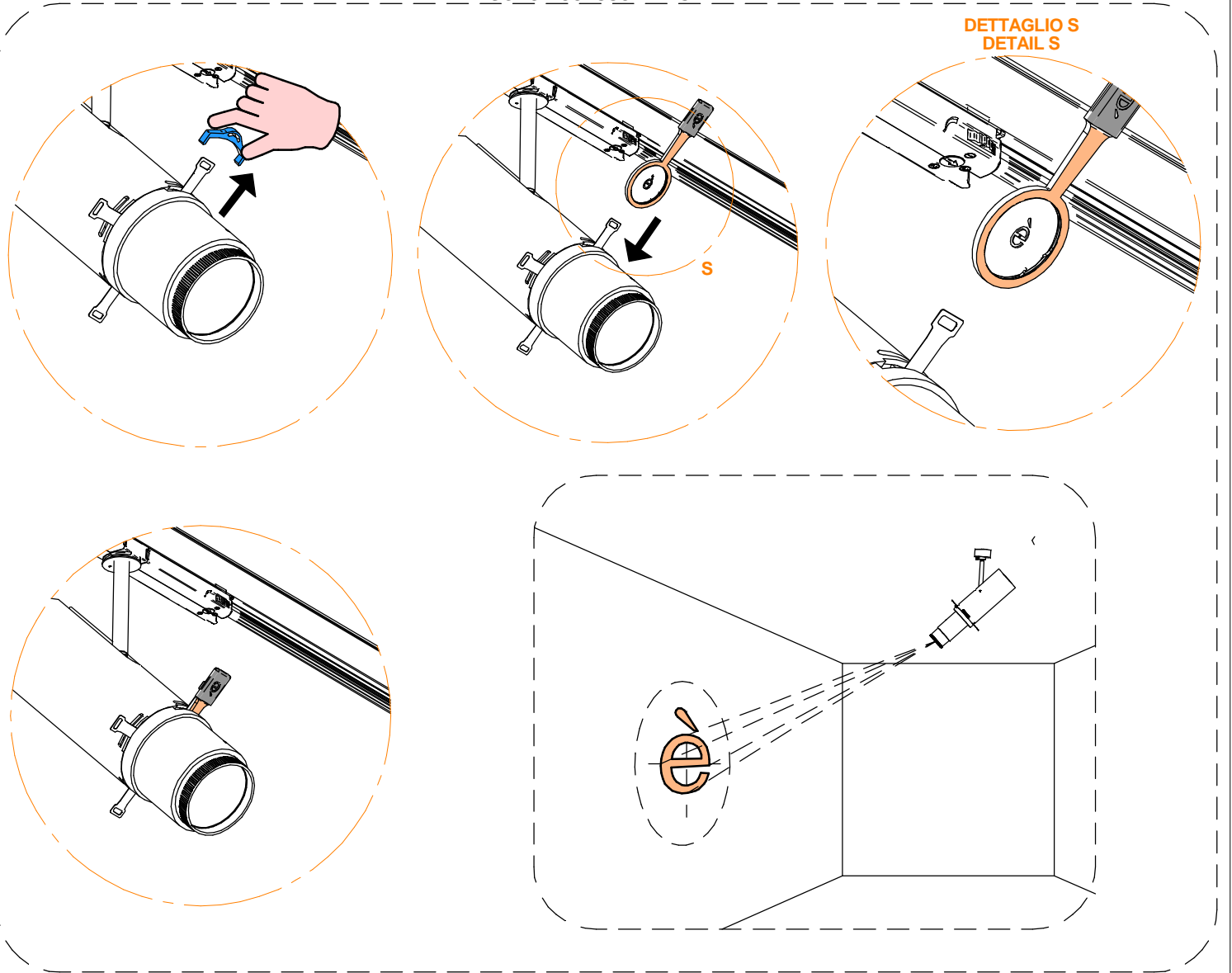
DIMENSIONI GOBO
GOBO DIMENSIONS

NON INCLUSO
NOT PROVIDED

DETTAGLIO R
DETAIL R

SERIES: POUND_T / POUND_FOCUS / POUND_SHAPER / OPTUS_T / OPTUS_WW | Bluetooth Silvair | Dim on Board
BRAND: i-LèD

INSERIMENTO ACCESSORIO GOBO
GOBO ACCESSORY INSTALL



SERIES: POUND_T / POUND_FOCUS / POUND_SHAPER / OPTUS_T / OPTUS_WW | Bluetooth Silvair | Dim on Board

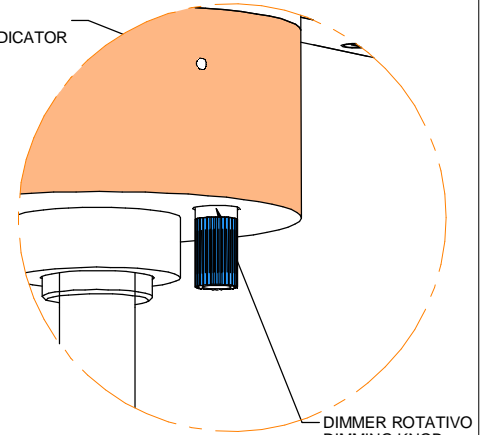
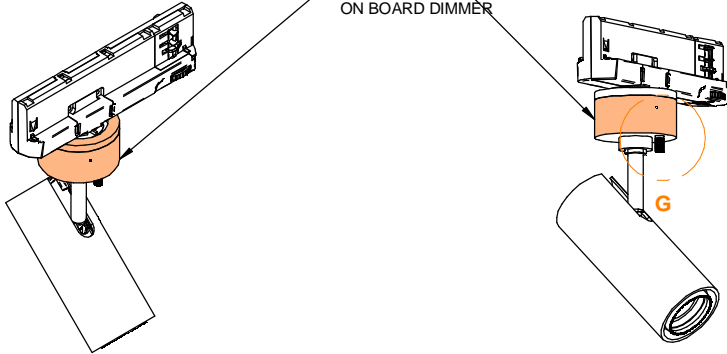
BRAND: i-L^èD

FUNZIONAMENTO DIMMER A BORDO / DIMMING ON BOARD SETTING



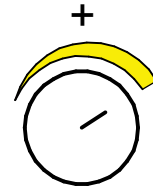
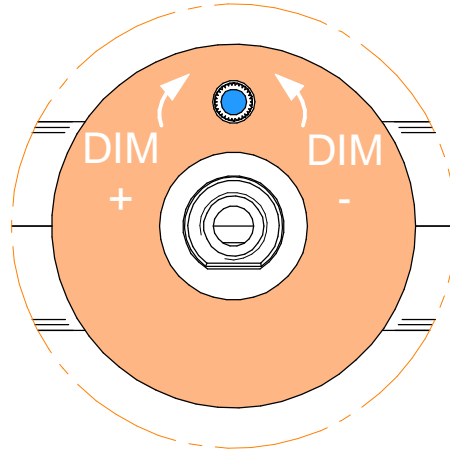
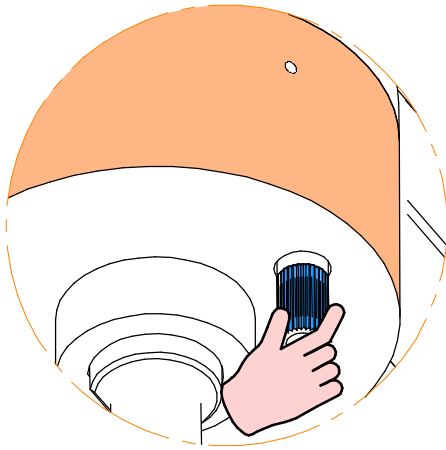
DIMMER A BORDO
ON BOARD DIMMER

LED DI STATO
LED STATUS INDICATOR



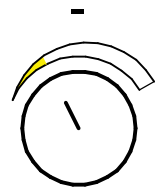
DETTAGLIO G
DETAIL G

DIMMER ROTATIVO
DIMMING KNOB



RUOTARE IN SENSO
ORARIO PER
AUMENTARE LA
LUMINOSITA'

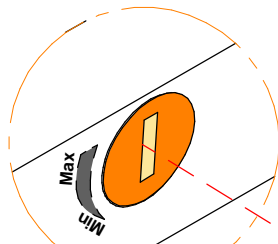
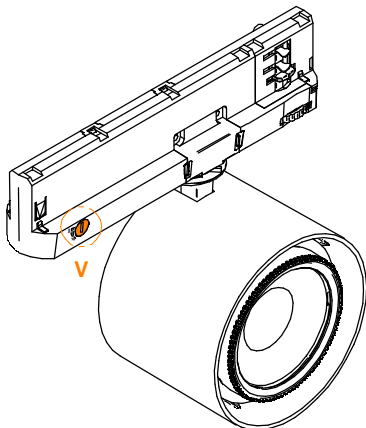
ROTATE CLOCKWISE
TO DIM UP THE LIGHT



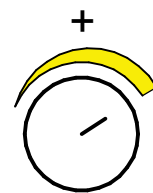
RUOTARE IN SENSO
ANTIORARIO PER
DIMINUIRE LA
LUMINOSITA'

ROTATE COUNTER
CLOCKWISE TO DIM
DOWN THE LIGHT

FUNZIONAMENTO NUOVO DIMMER A BORDO / NEW DIMMING ON BOARD SETTING

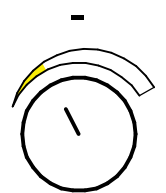


DETTAGLIO V
DETAIL V



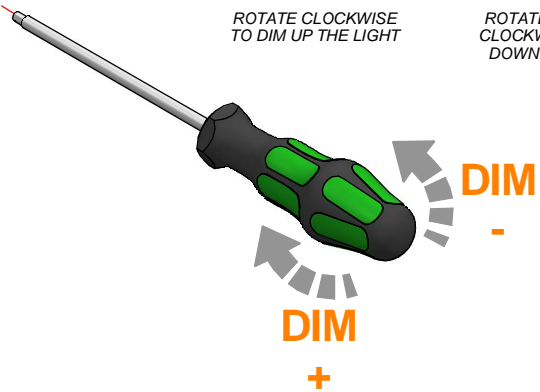
RUOTARE IN SENSO
ORARIO PER
AUMENTARE LA
LUMINOSITA'

ROTATE CLOCKWISE
TO DIM UP THE LIGHT



RUOTARE IN SENSO
ANTIORARIO PER
DIMINUIRE LA
LUMINOSITA'

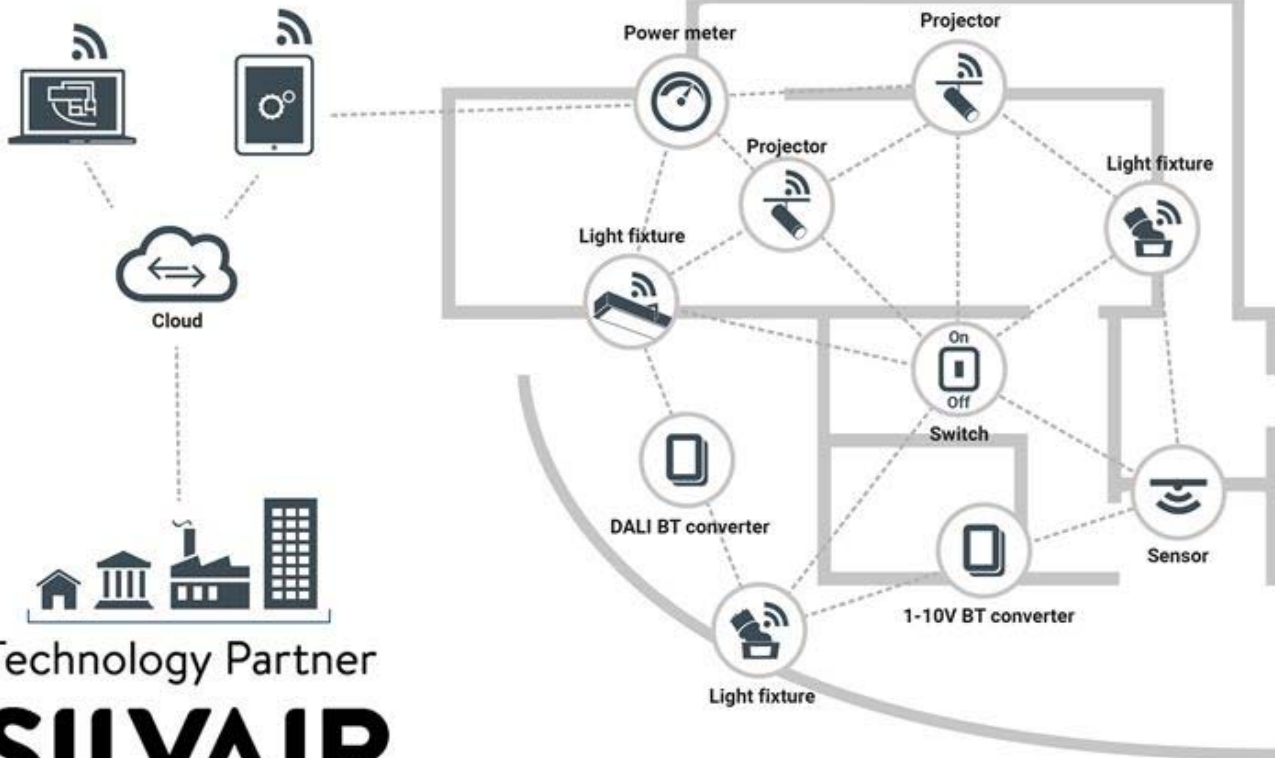
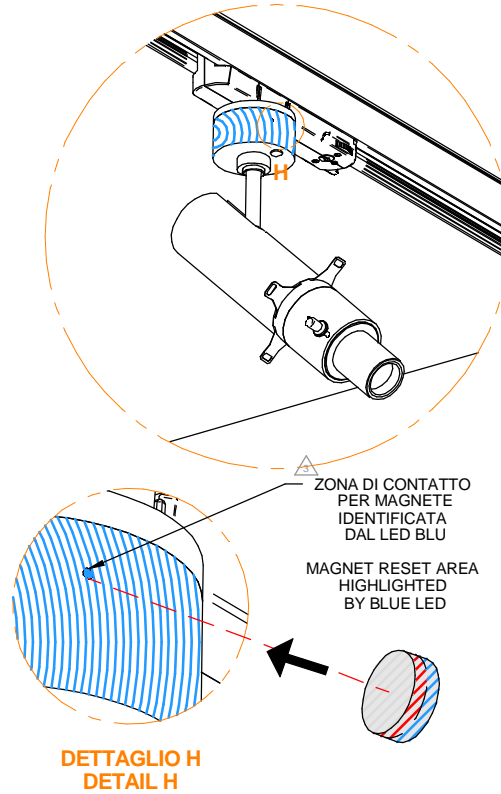
ROTATE COUNTER
CLOCKWISE TO DIM
DOWN THE LIGHT



SERIES: POUND_T / POUND_FOCUS / POUND_SHAPER / OPTUS_T / OPTUS_WW | Bluetooth Silvair | Dim on Board

BRAND: i-LèD

FUNZIONAMENTO PRODOTTI BLUETOOTH SILVAIR / BLUETOOTH SILVAIR FITTING FUNTIONING



Technology Partner
SILVAIR

SERIES: POUND_T / POUND_FOCUS / POUND_SHAPER / OPTUS_T / OPTUS_WW | Bluetooth Silvair | Dim on Board

BRAND: i-LÈD

IDENTIFICAZIONE DISPOSITIVO | DEVICE IDENTIFY

Alla prima accensione del dispositivo e ogni volta che viene effettuato il reset, il sistema effettua l'identificazione della lampada. L'identificazione consiste in un'animazione definita "Attention event" con il 40% di luminosità per 500ms, 100% di luminosità per 500 ms. Anche il LED blu di stato effettua un lampeggio durante la fase di identificazione con 500ms ON/500ms OFF.

*The first time the device is turned on and every time it gets resetted, the system identifies the lamps.
The identification consists in an animation called "Attention event" with a 40% dimmering for 500ms, 100% dimmering for 500ms.
The blue status LED blinks during identification too, 500msON/500ms OFF.*

RIPRISTINO DELLE IMPOSTAZIONI DI FABBRICA DEL DISPOSITIVO BLUETOOTH | FACTORY RESET FOR BLUETOOTH DEVICE

Un ripristino delle impostazioni di fabbrica cambierà lo stato del modulo nella rete mesh da connesso a non connesso, ovvero tutte le impostazioni di rete andranno perse. Questa funzionalità è necessaria per ripristinare la connessione di un dispositivo dopo un comportamento imprevisto in cui si perde il controllo del dispositivo.

Per effettuare il ripristino alle impostazioni di fabbrica dell'apparecchiatura Bluetooth è sufficiente portare a contatto un magnete al simbolo indicato nell'involucro contenente il modulo Bluetooth. Mettere a contatto il magnete per 5 secondi. Una volta effettuato il ripristino alle impostazioni di fabbrica, il sistema effettuerà un'identificazione del dispositivo.

*A factory reset of the Bluetooth device will change the device status in the network mesh from provisioned to not provisioned, all the network settings will be lost. This feature is necessary to reset the connection of a device which cannot be longer controlled.
To perform the factory reset action on the device a magnet must be placed on the shown symbol on the box containing the bluetooth module. Keep contact for 5 seconds. Once the factory reset operation is done the system will identify the device.*

STATO DEL LED | LED STATUS

Il LED blu di stato posizionato nell'involucro contenente l'interfaccia Bluetooth effettua una serie di lampeggi a seconda dello stato in cui la lampada si trova.

1. Lampeggio veloce / lampeggio lento
2. Il LED effettua un lampeggio veloce se la lampada non è connessa alla rete (ogni 300ms)
3. Il LED effettua un lampeggio lento se la lampada è connessa alla rete (ogni 2s)

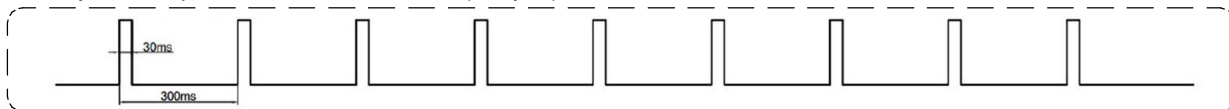
The blue status LED placed on the box containing the Bluetooth interface performs a blink pattern depending on the lamp status.

1. Quick blinking/slow blinking
2. The LED blinks fast if the lamp is not connected to the network (every 300ms)
3. The LED blinks slowly if the lamp is connected to the network (every 2s)

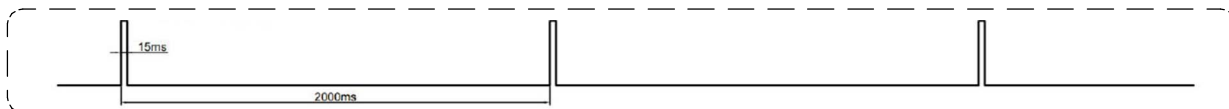


ANTENNA INCORPORATA
ON BOARD ANTENNA

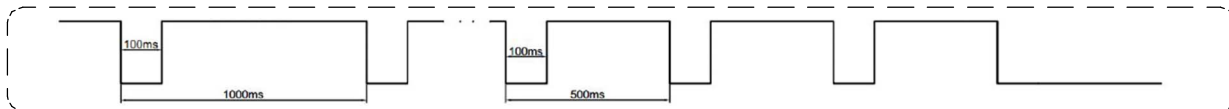
**Lampada non connessa
Unprovisioned**



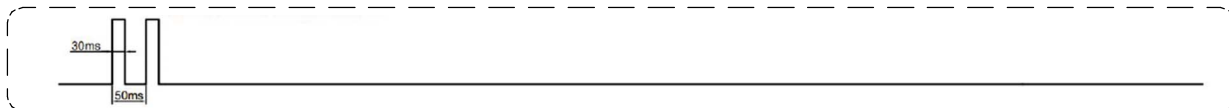
**Lampada connessa
Provisioned**



**Reset alle impostazioni
di fabbrica
Factory Reset**



**Ricevimento di un
pacchetto mesh
Mesh packet received**



ALTRE INFORMAZIONI | OTHER INFORMATION

- La portata wireless potrebbe essere influenzata, in modo particolare dalle superfici metalliche. In queste condizioni la portata wireless deve essere verificata.
- Se il dispositivo non è connesso ad una rete ci vorranno circa 30 secondi perché sia visualizzato come dispositivo disponibile dopo essere stato acceso.
- Il dispositivo ha superato con successo il processo di test SILVAIR
- Supporta gli switch EnOcean EWSSb e EWSDB
- Lo strumento può essere messo in funzione attraverso l'applicazione di messa in servizio SILVAR presente nell'app store del proprio smartphone o tablet.
- Per ulteriori informazioni consultare la guida SILVAIR al seguente link: <https://silvair.com/resources/product-documents/>
- Linea Light non avrà alcuna responsabilità per qualsiasi strumento di messa in servizio di terze parti e non fornisce alcuna dichiarazione, espressa o implicita, sulla disponibilità e / o sulle prestazioni di tale strumento di messa in servizio.

- *If the device is encased in a box, the wireless range may be affected, especially by metallic surfaces. Wireless range must be verified.*
- *An unprovisioned device requires 30 seconds to be shown as available to provisioning after turning on*
- *The device successfully passed the SILVAIR test process*
- *Supporting EnOcean switch EWSSB and EWSDB*
- *The device can be operated with the SILVAIR app available for Apple phones and tablets*
- *Check the SILVAIR guide for more informations*
- *Linea Light has no responsibility for any third party instrument and does not provide any declaration, explicit or implicit, about the availability and/or the performances of said instrument.*

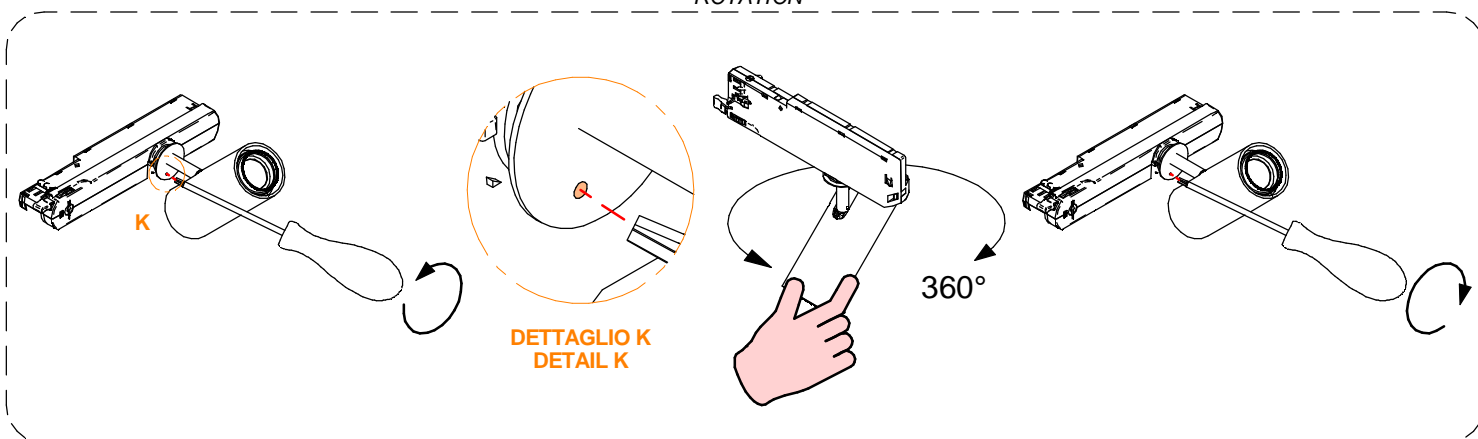
SERIES: POUND_T / POUND_FOCUS / POUND_SHAPER / OPTUS_T / OPTUS_WW | Bluetooth Silvair | Dim on Board
 BRAND: i-LèD

ROTAZIONE E BASCULAZIONE POUND / POUND TILTING AND ROTATION

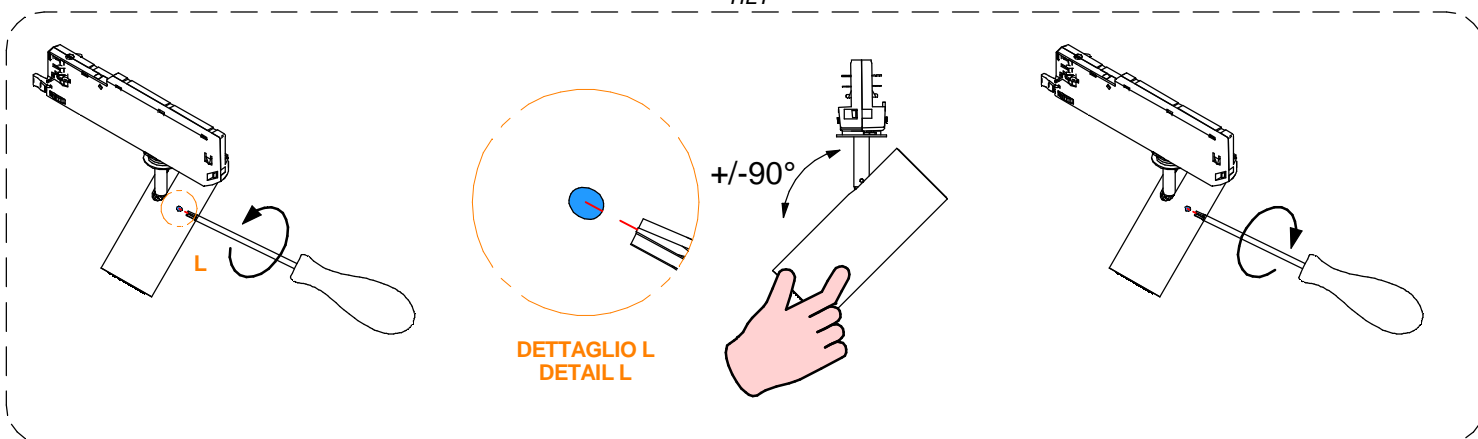
SE IL POSIZIONAMENTO DEL PRODOTTO RISULTA DIFFICILE AGIRE COME DI SEGUITO, ALLENTANDO LEGGERMENTE LE VITI NEI PUNTI INDICATI, SUCCESSIVAMENTE SERRARLE

IF POSITIONING THE PRODUCT IS DIFFICULT, PROCEED AS FOLLOWS, SLIGHTLY LOOSENING THE HIGHLIGHTED, SCREWS THEN TIGHTEN THEM

ROTAZIONE ROTATION

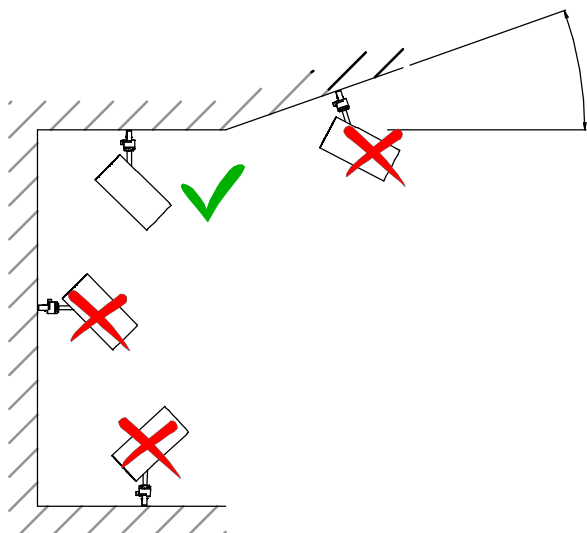


INCLINAZIONE TILT



POSIZIONE D'INSTALLAZIONE AMMESSE / ALLOWED INSTALLATION POSITION

A PLAFONE O RECESSO SOLO SU SUPERFICIE NON INCLINATE, NON SU SUPERFICIE VERTICALI OD A TERRA
 SURFACE OR RECESSED MOUNTED ONLY ON NOT SLOPED CEILING, NEITHER WALL OR GROUND



SERIES: POUND_T / POUND_FOCUS / POUND_SHAPER / OPTUS_T / OPTUS_WW | Bluetooth Silvair | Dim on Board

BRAND: i-L^èD

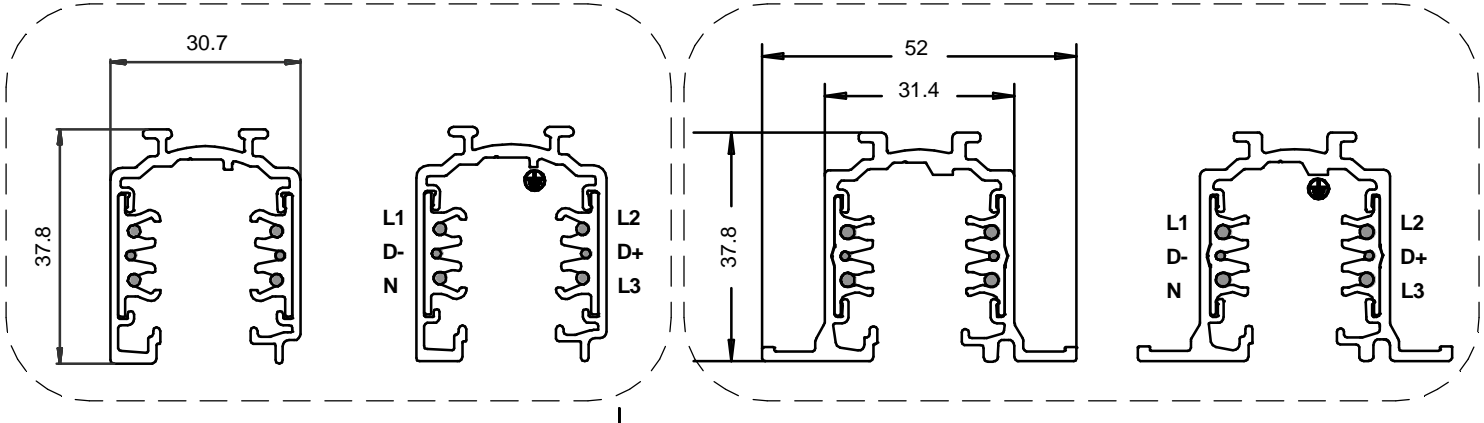
FISSAGGIO ED ELETRIFICAZIONE DEL BINARIO / TRACK FIXING AND ELECTRICAL CHARACTERISTICS

BINARIO A SOSPENSIONE / SUSPENDED TRACK

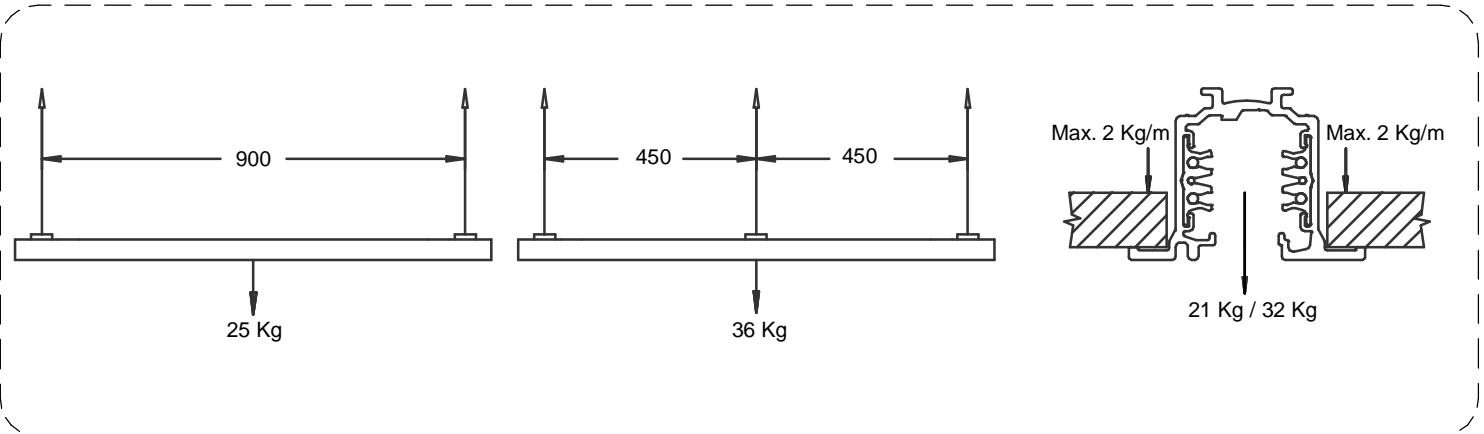
83336, 83337, 83338
83339, 83340, 83341

BINARIO AD INCASSO / RECESSED TRACK

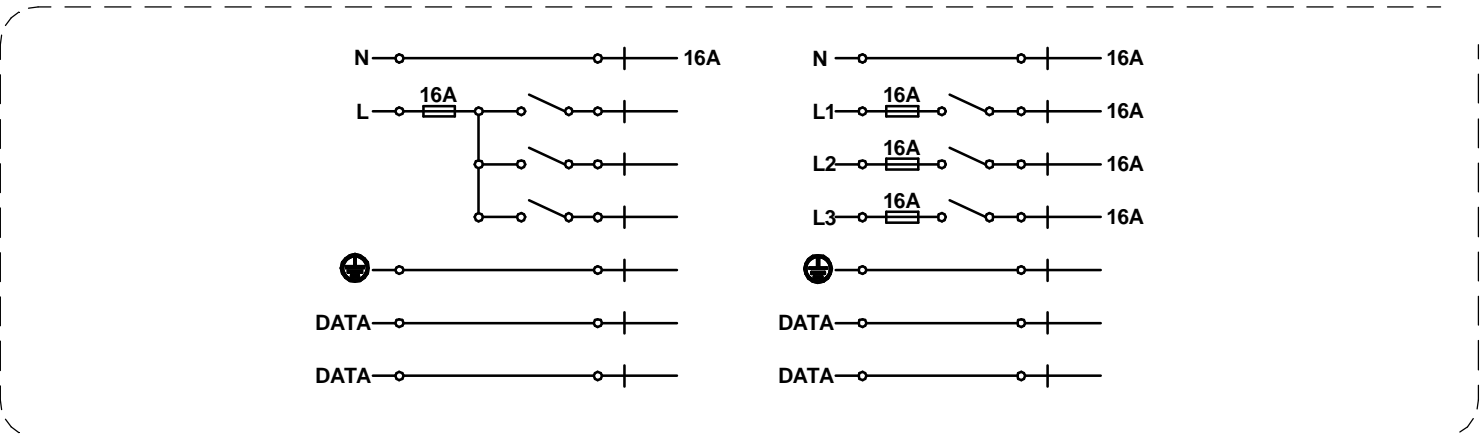
80990, 80991, 80992
80993, 80994, 80994



**SCHEMA DI CARICO
LOAD / WEIGHT SCHEME**



**SCHEMA ELETTRICO
ELECTRICAL SCHEME**



SERIES: POUND_T / POUND_FOCUS / POUND_SHAPER / OPTUS_T / OPTUS_WW | Bluetooth Silvair | Dim on Board
 BRAND: i-L^èD

MCB

TABELLA "A" MAGNETOTERMICI
 TABLE "A" MCB

TIPO TYPE	B10	B16	B20	C10	C16	C20
ON / OFF + D.O.B.	33	53	66	53	84	105
DALI 2 / PUSH	33	53	67	53	85	107
DALI 2 / Dynamic White	29	46	58	36	57	97
** D.O.B.	33	53	66	53	84	105



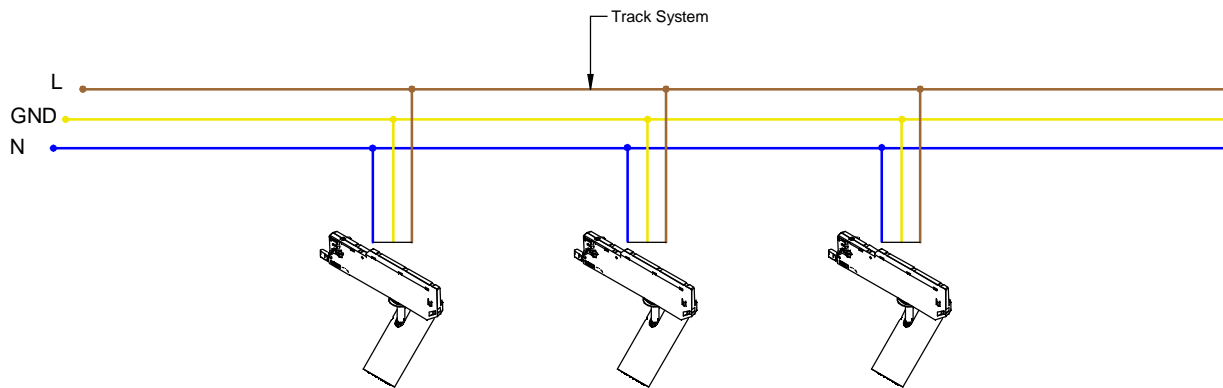
SEGUIRE LE SCHEDE TECNICHE DEI
 DRIVER PER I DIAGRAMMI DI
 COLLEGAMENTO DEL PRODUTTORE

FOLLOW THE DRIVERS DATASHEET
 FOR THE MANUFACTURER DETAILED
 WIRING

ON/OFF



220-240
 VAC
 50-60
 Hz



DALI DALI
 2 PUSH



220-240
 VAC
 50-60
 Hz

