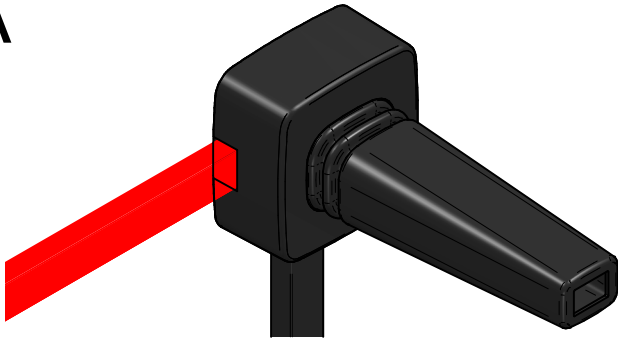
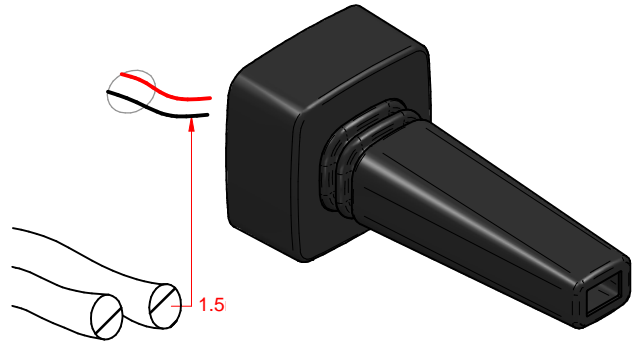


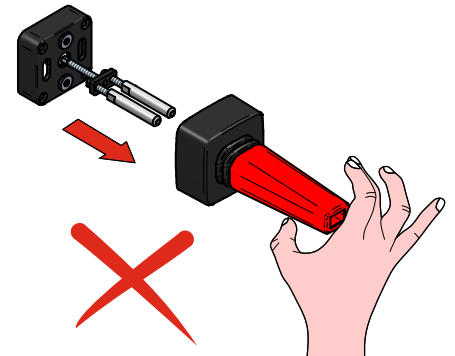
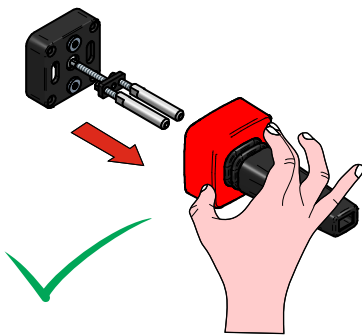
A



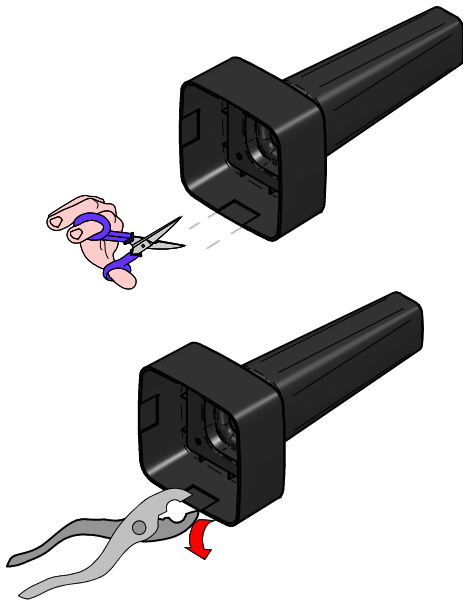
B



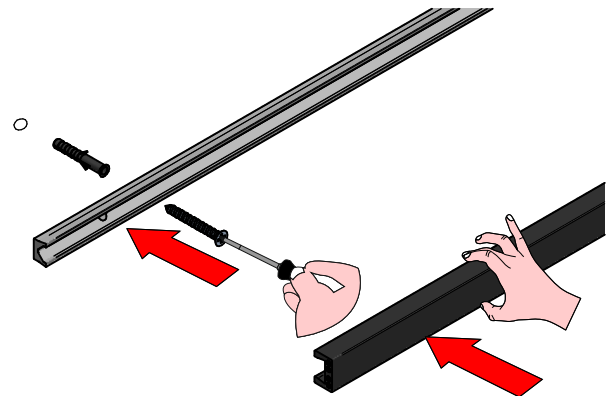
A.1 - B.1



A.2

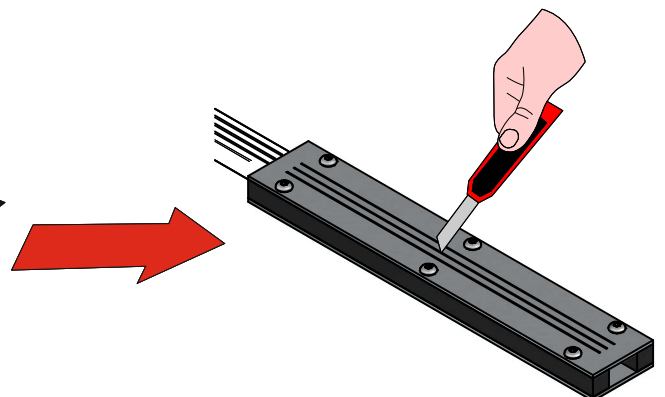
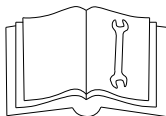


A.3

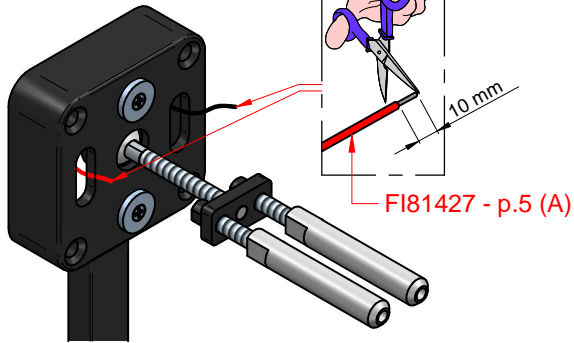


A.4

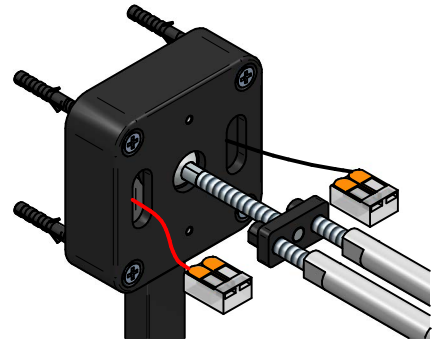
FI81427



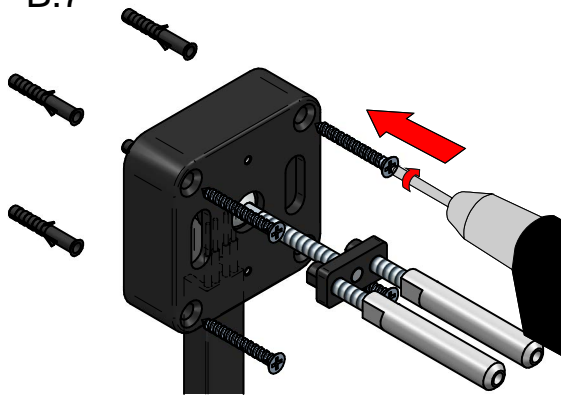
A.5 - B.5



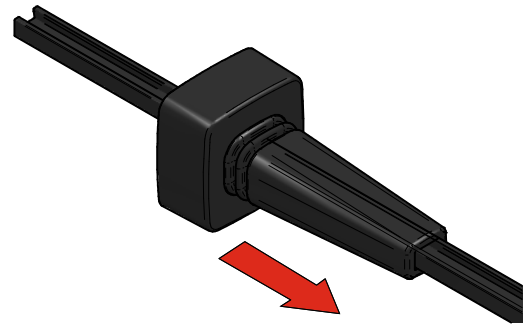
A.6 - B.6



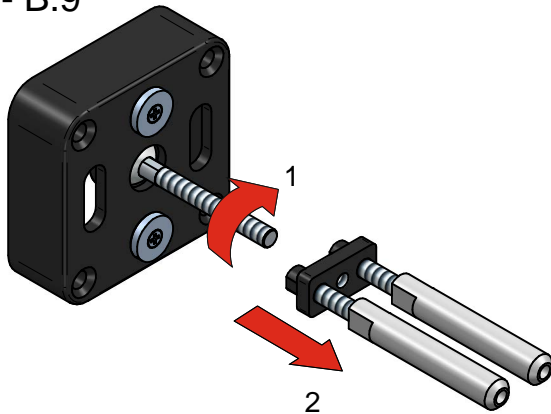
A.7 - B.7



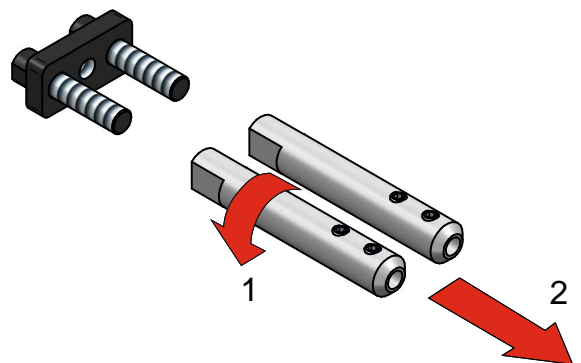
A.8 - B.8



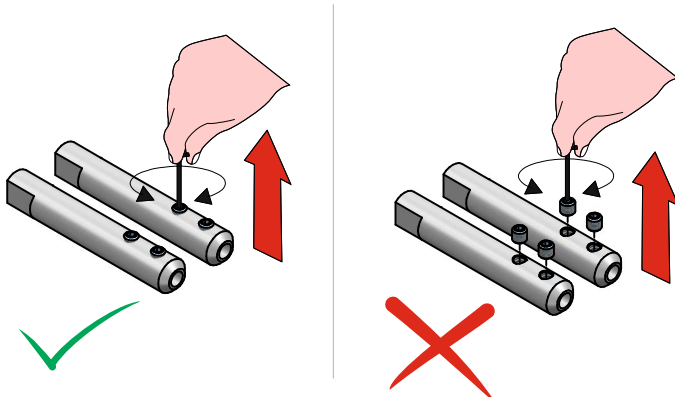
A.9 - B.9



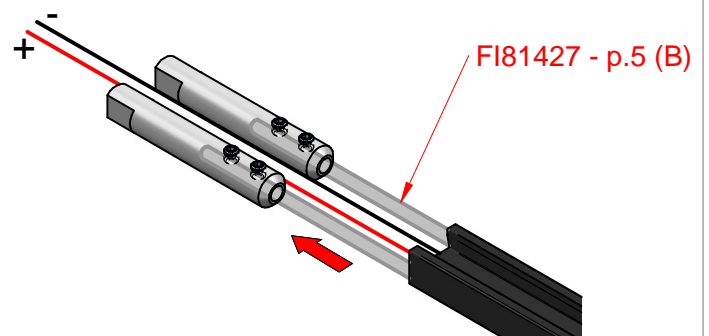
A.10 - B.10



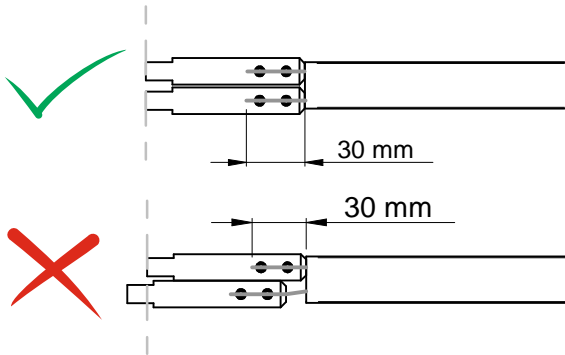
A.11 - B.11



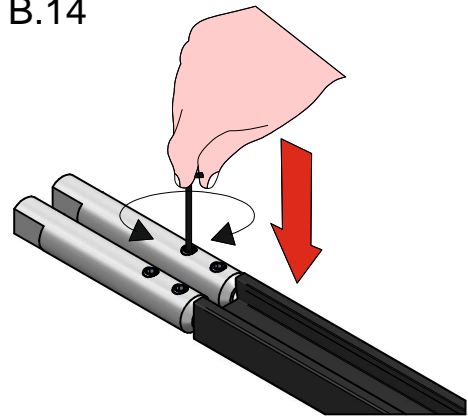
A.12 - B.12



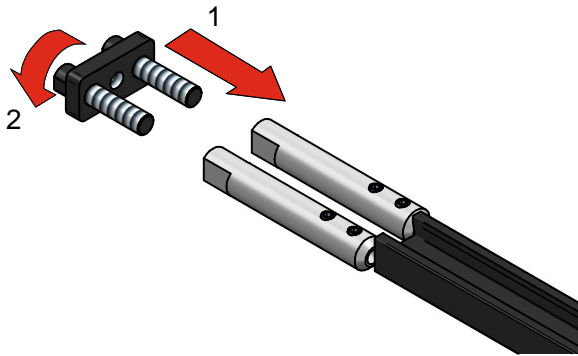
A.13 - B.13



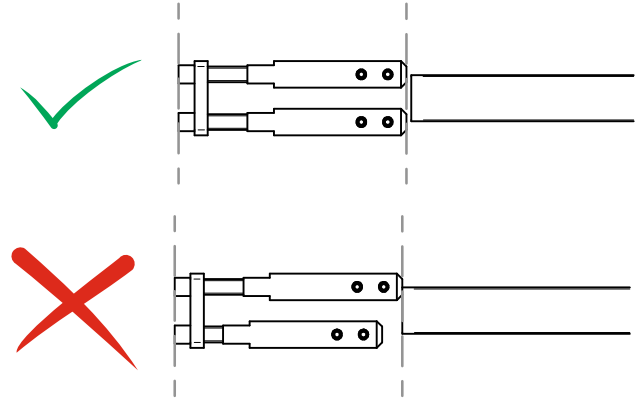
A.14 - B.14



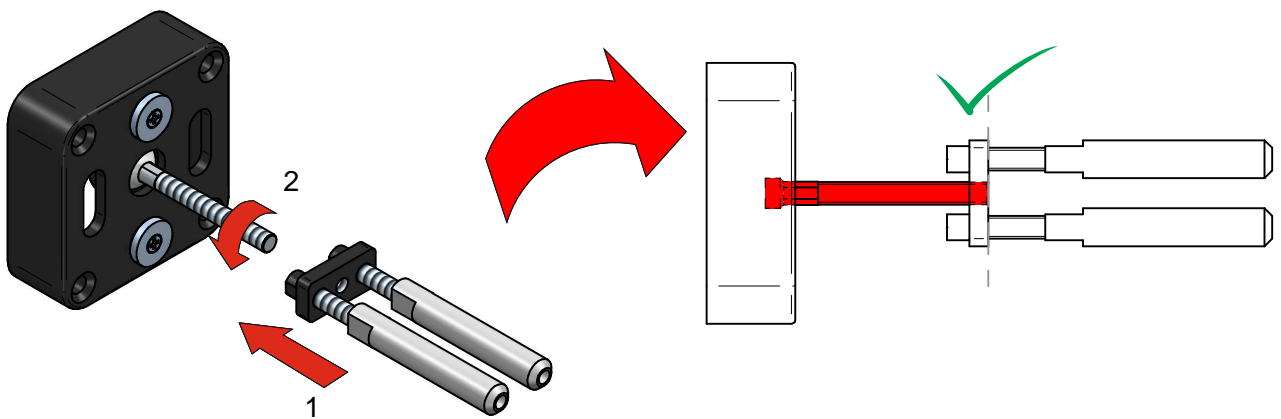
A.15 - B.15



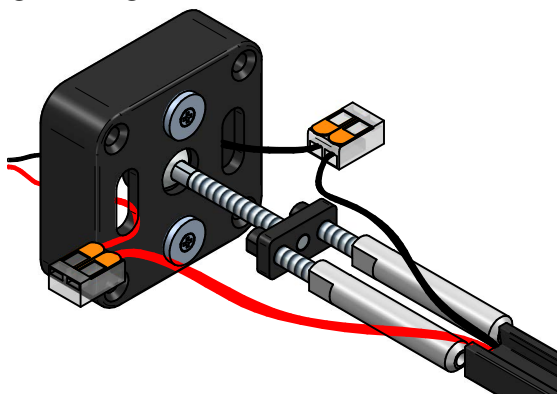
A.16 - B.16



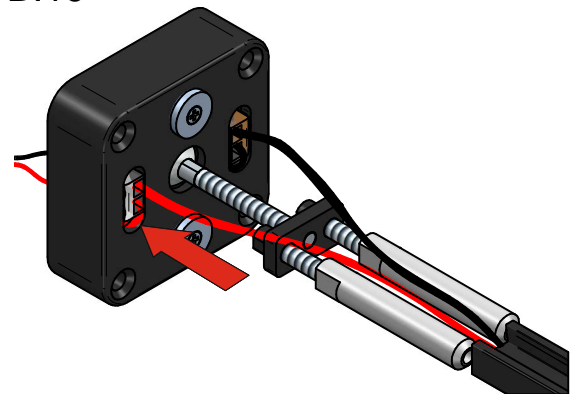
A.17 - B.17



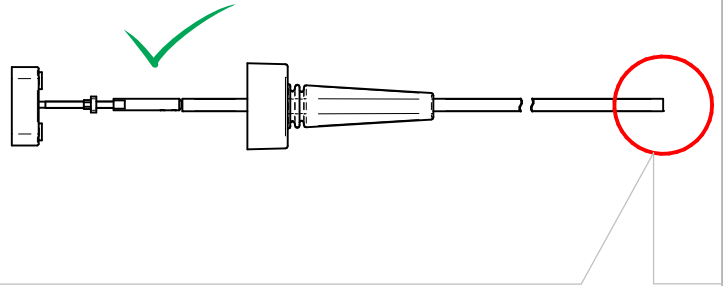
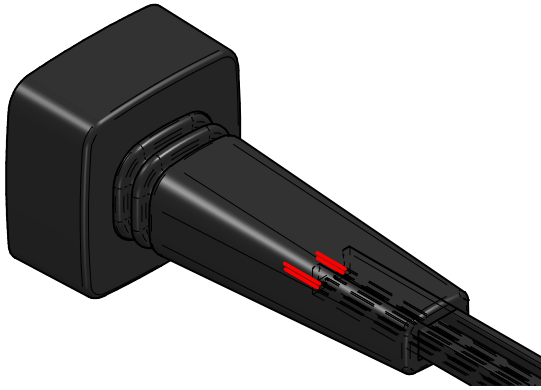
A.18 - B.18



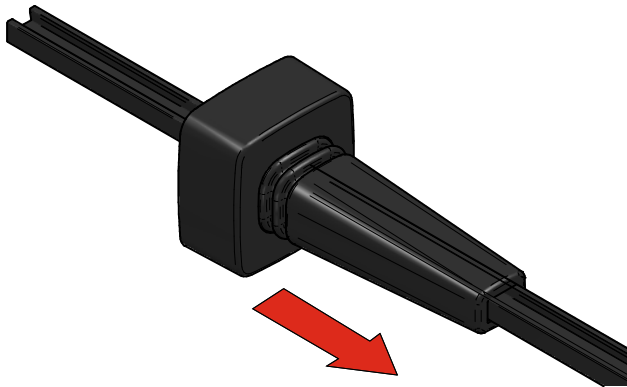
A.19 - B.19



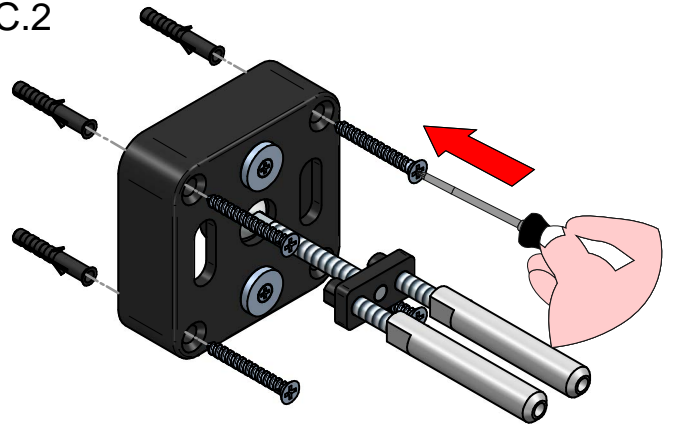
C



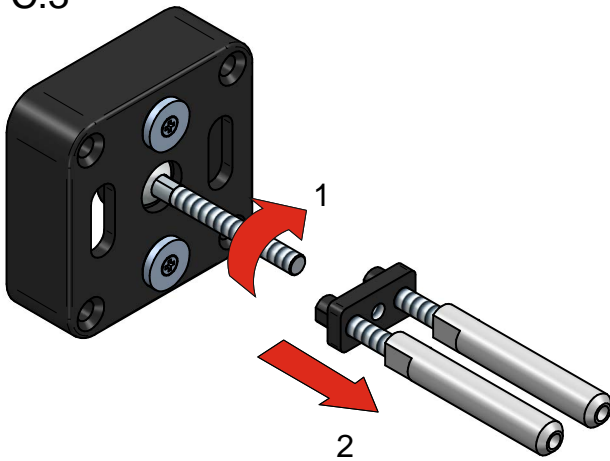
C.1



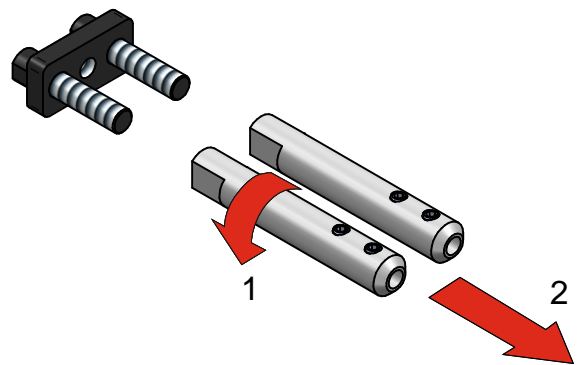
C.2



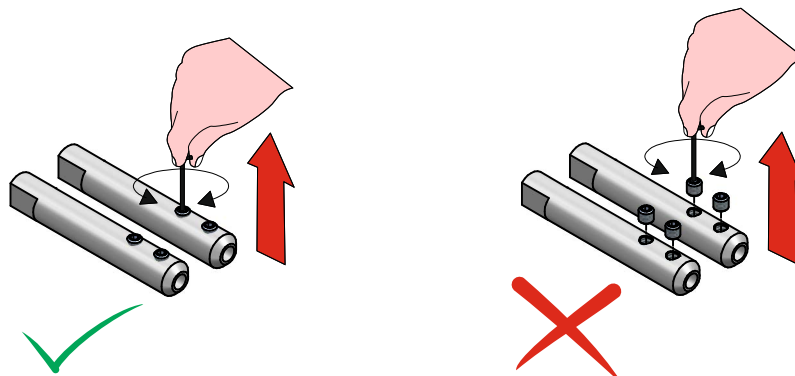
C.3



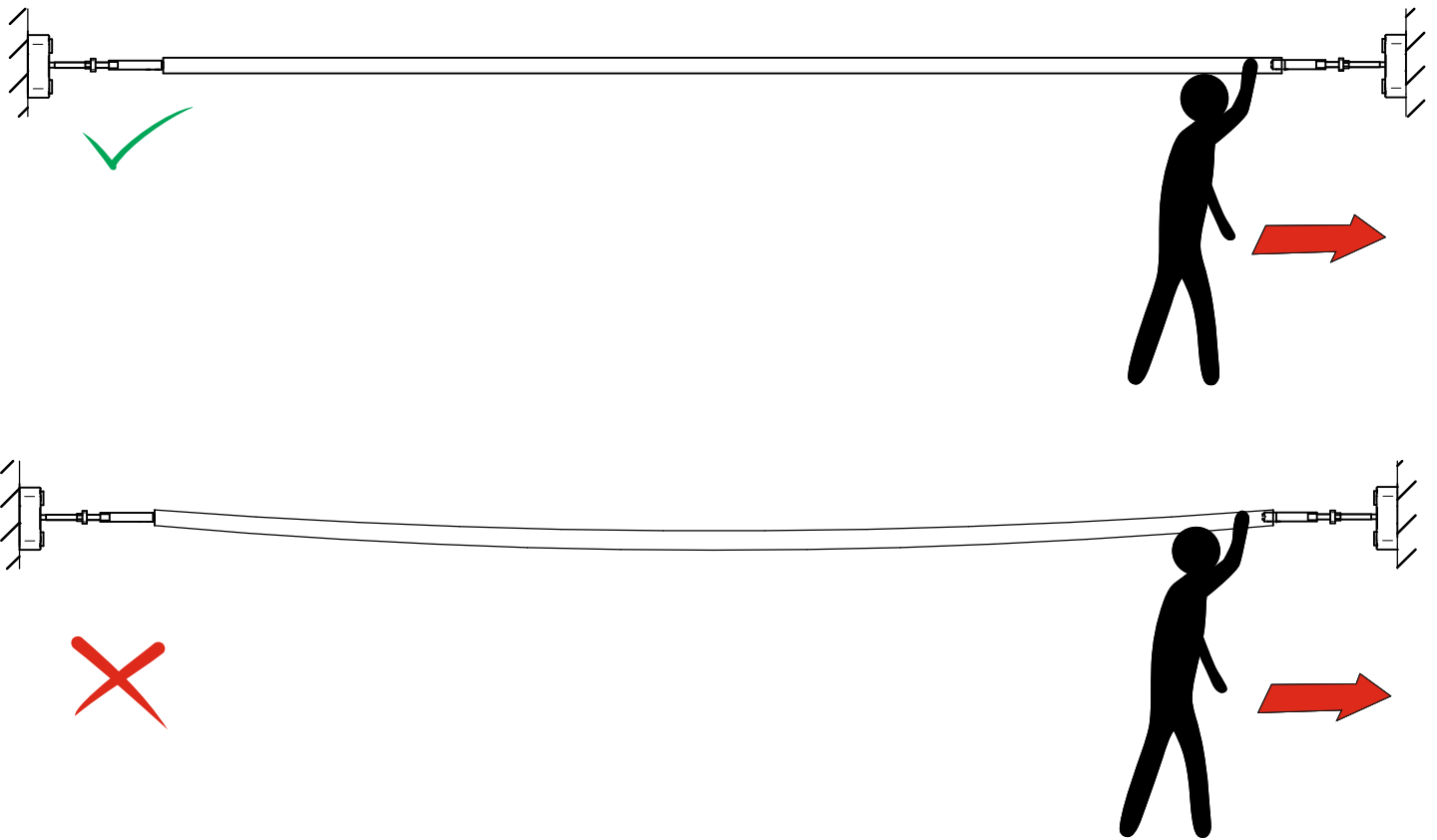
C.4



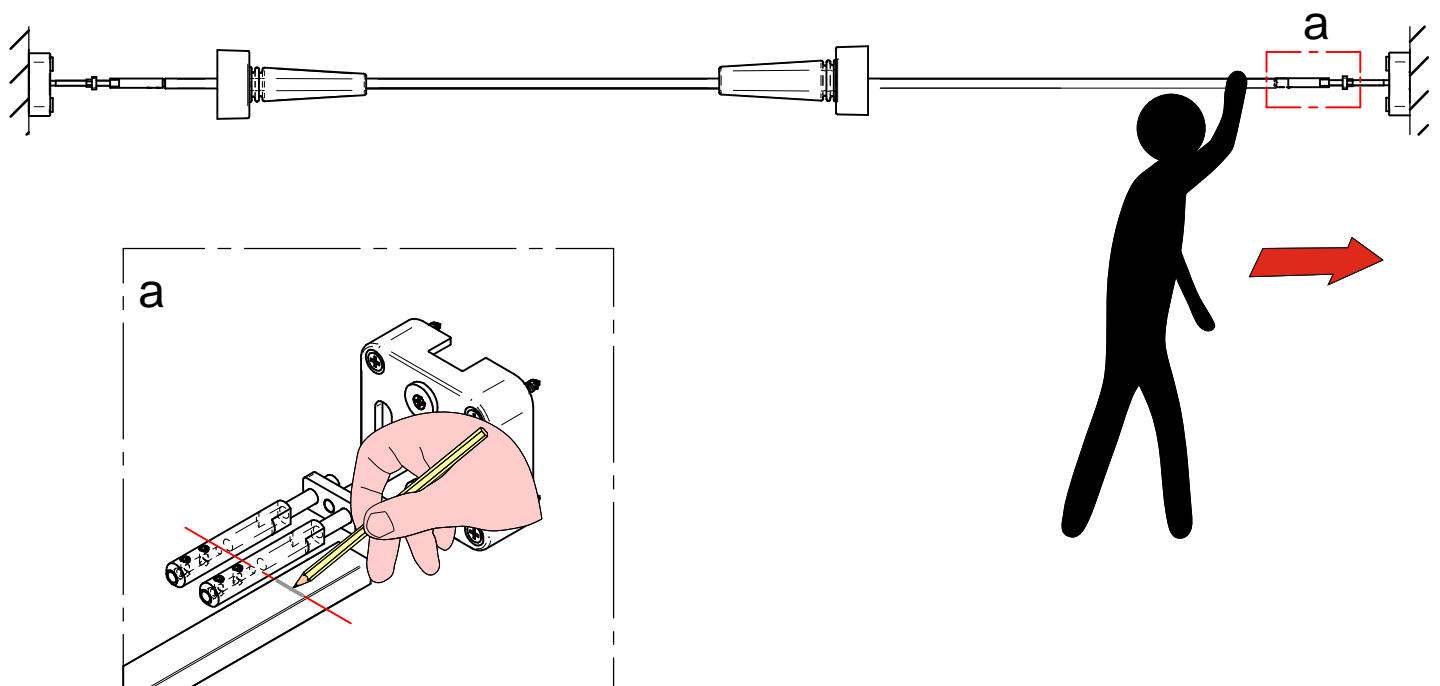
C.5



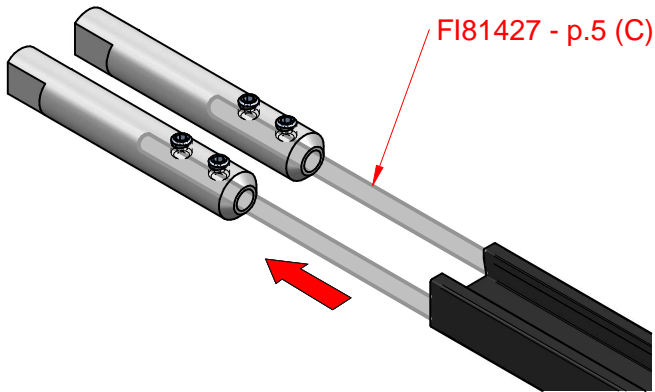
C.6



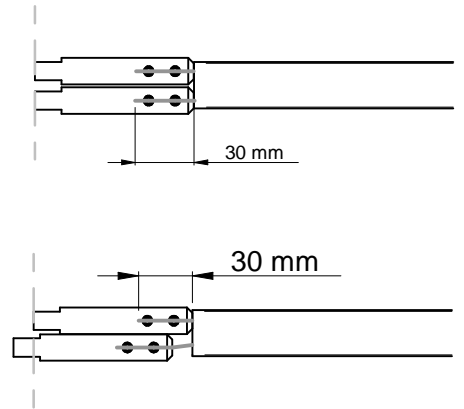
C.7



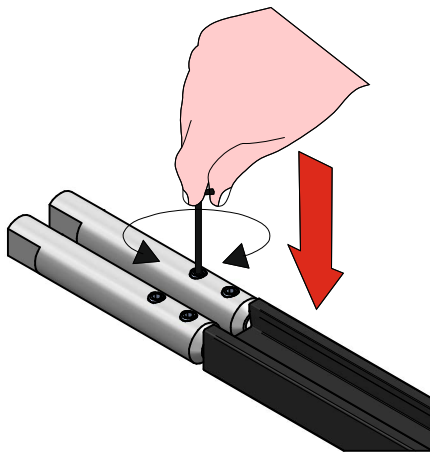
C.8



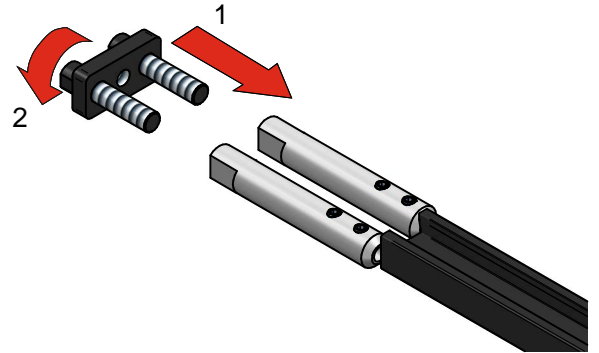
C.9



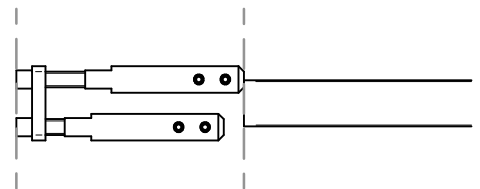
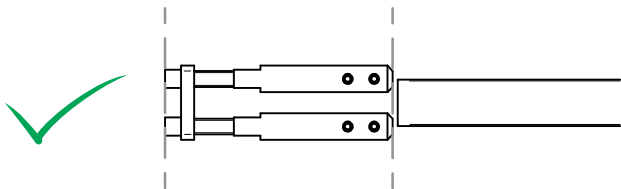
C.9



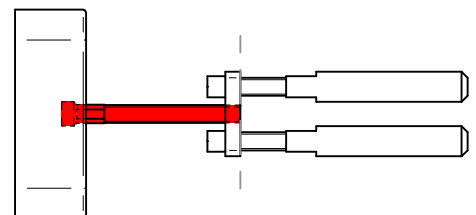
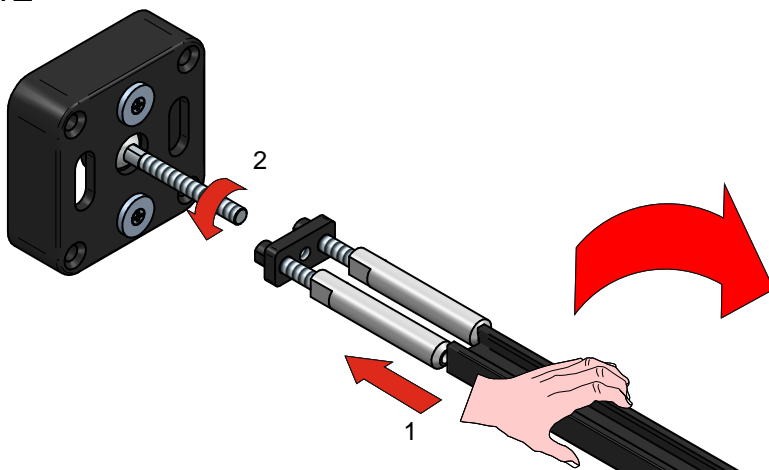
C.10



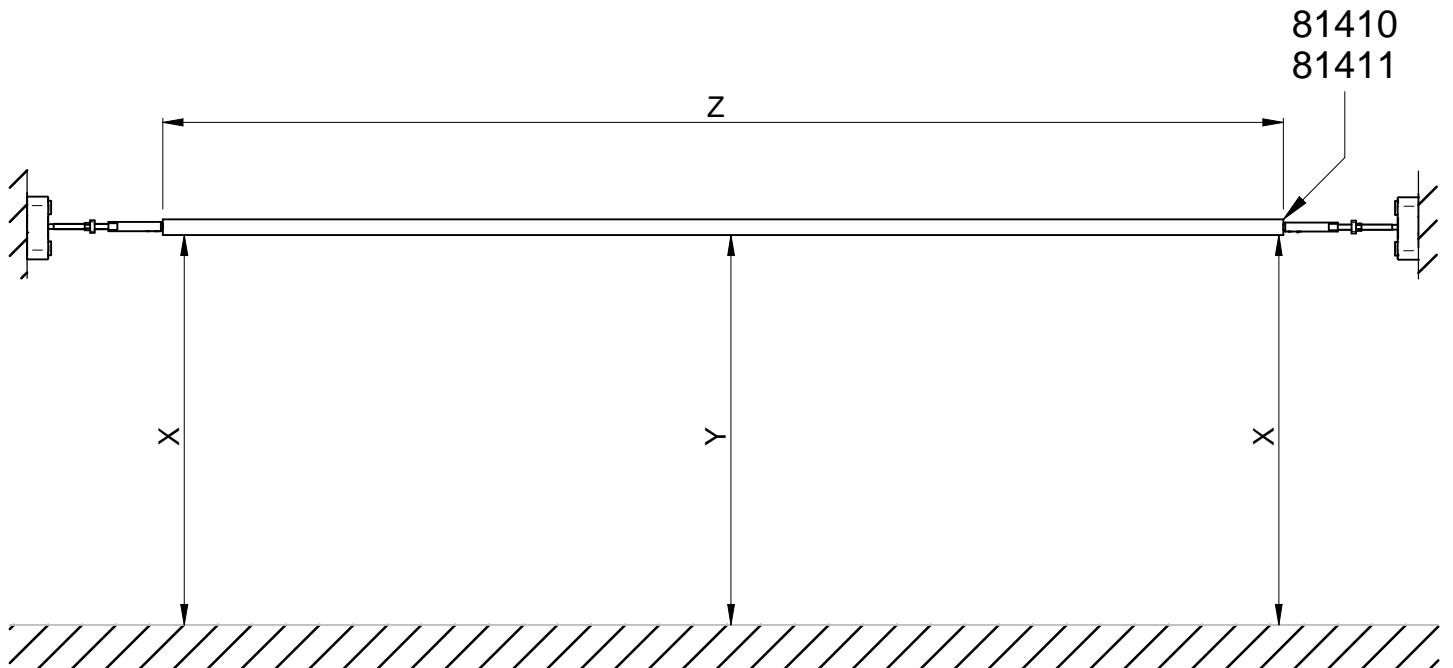
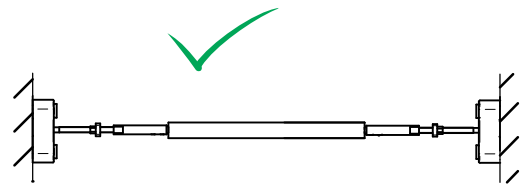
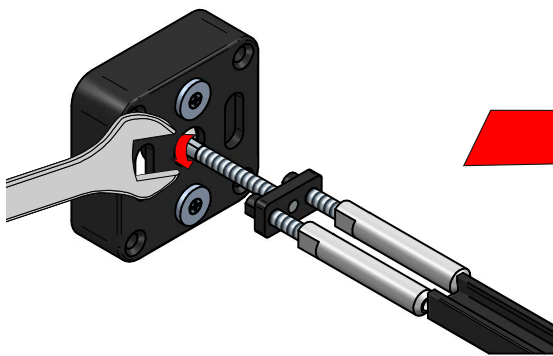
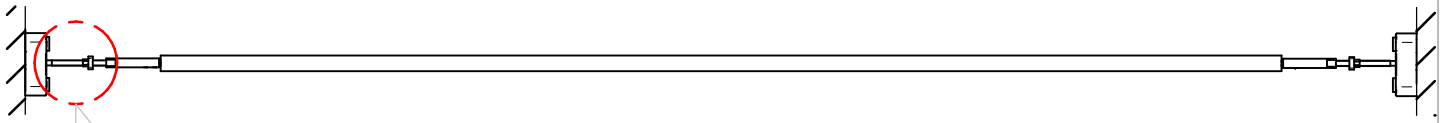
C.11



C.12



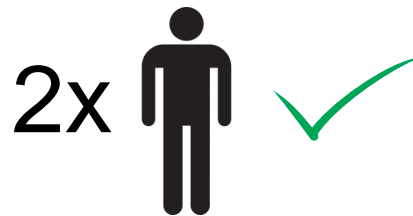
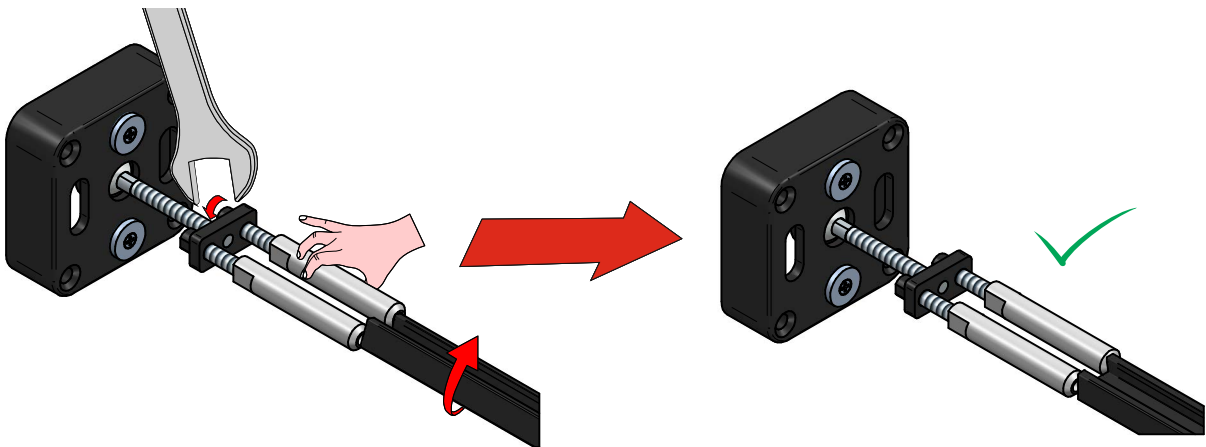
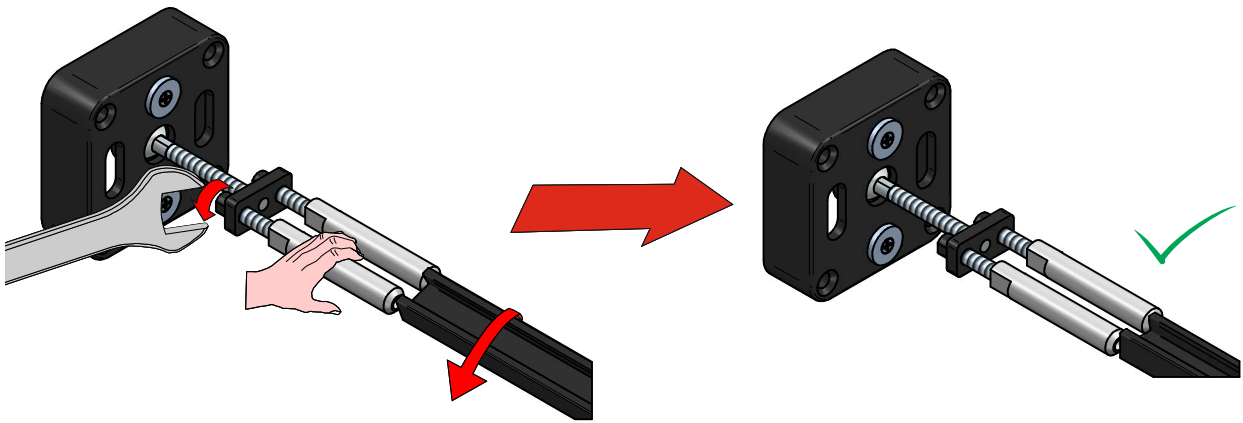
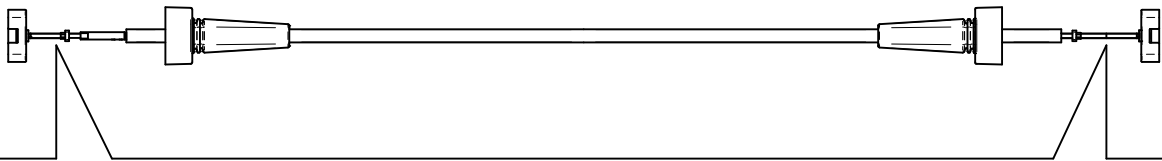
1



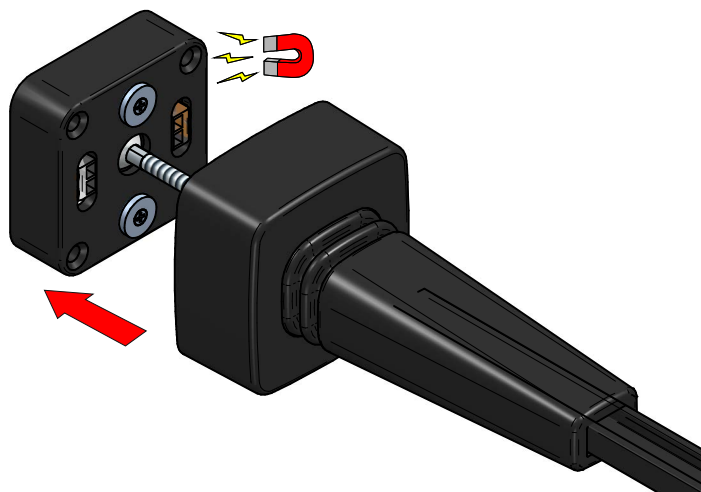
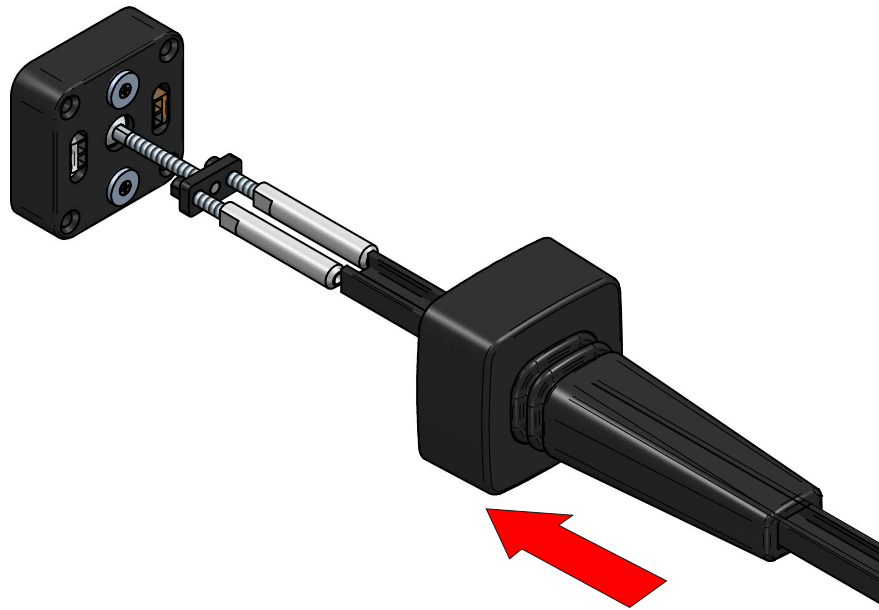
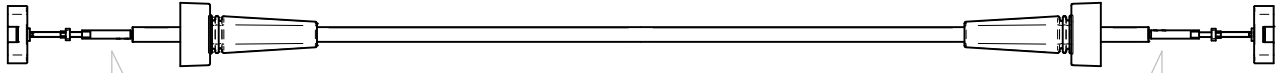
Z = MAX 10m

X = Y

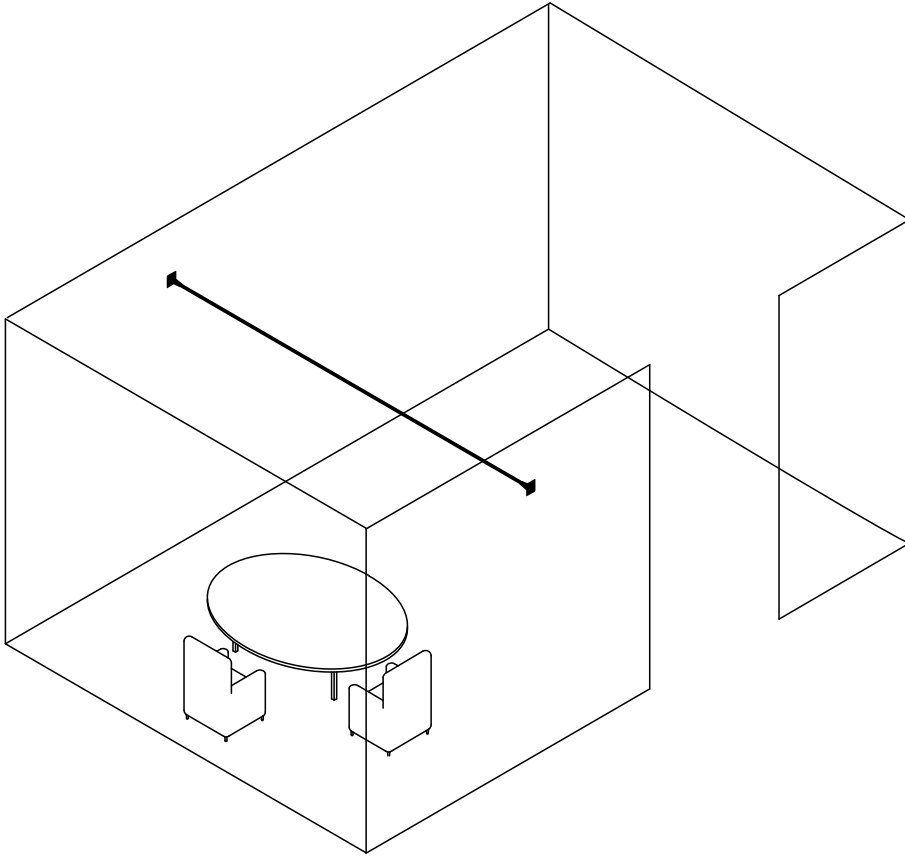
2



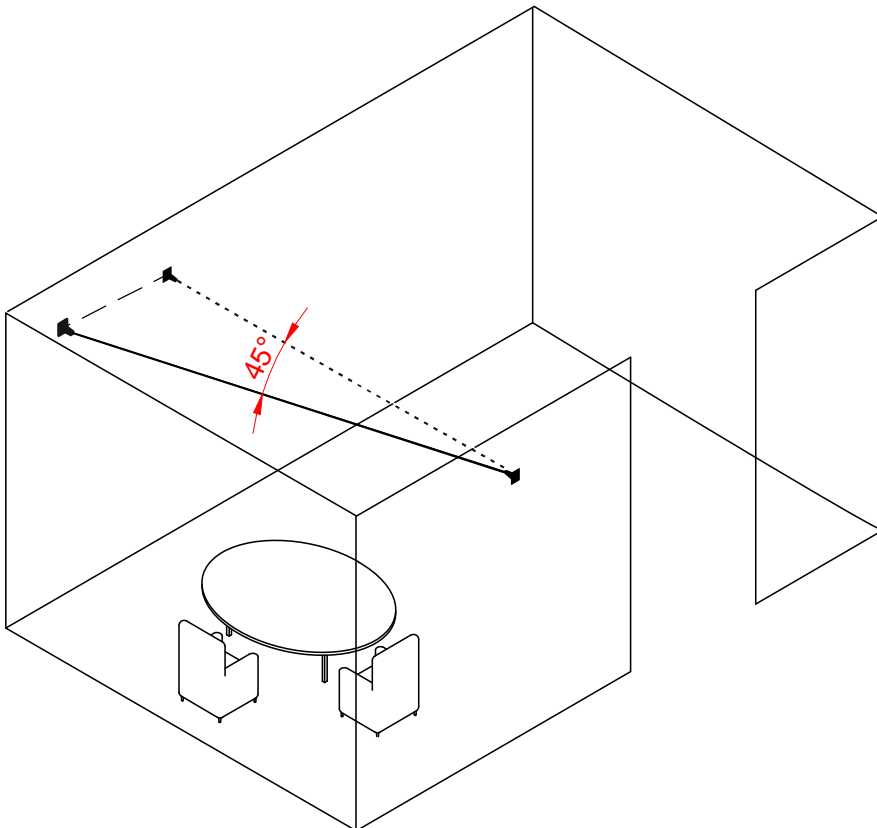
3



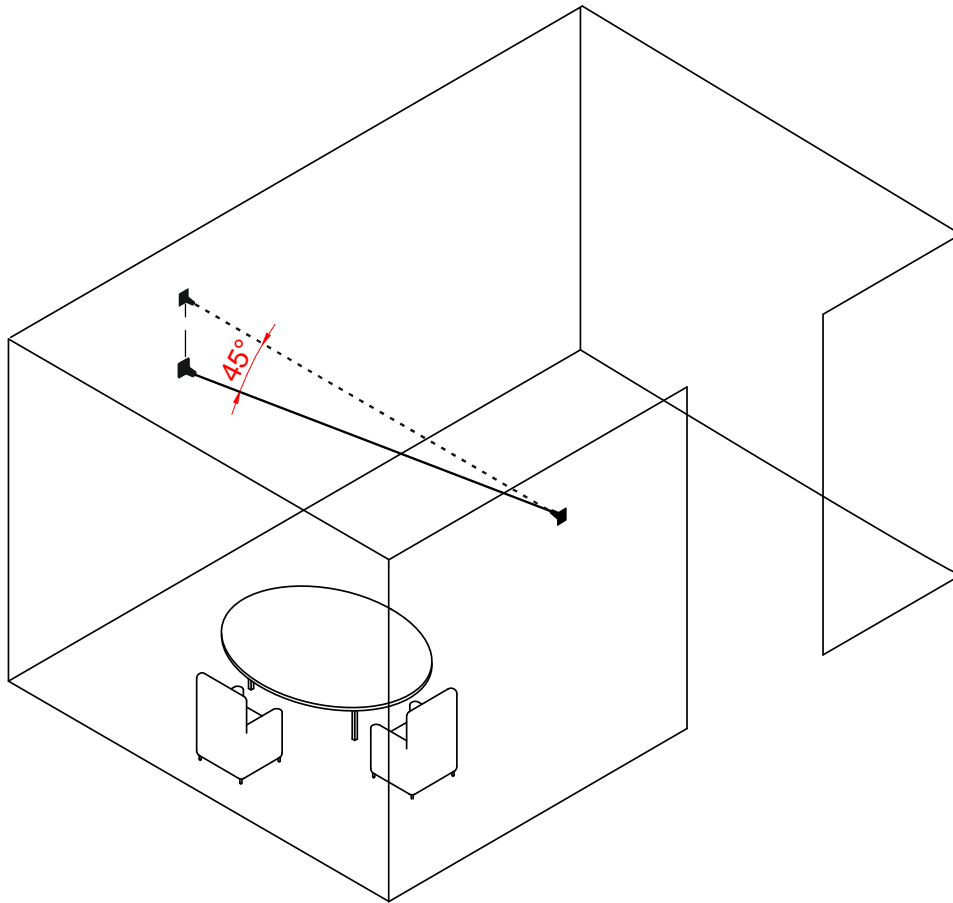
a



b



C



b+c

