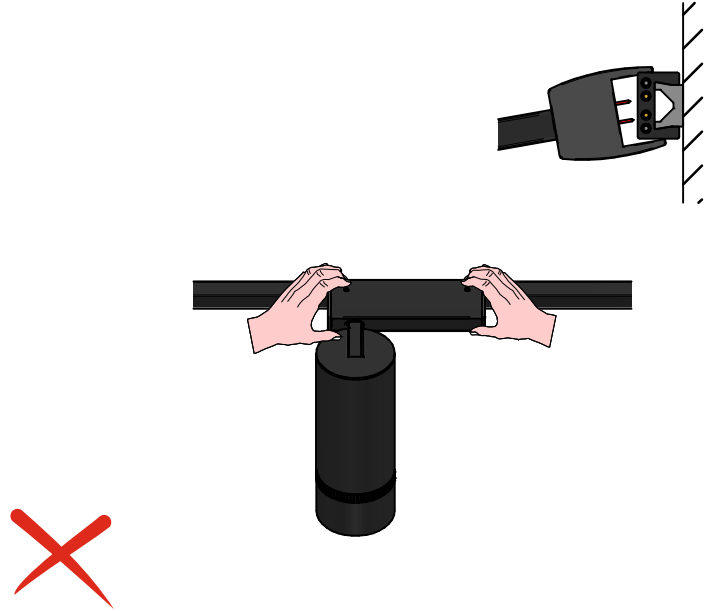
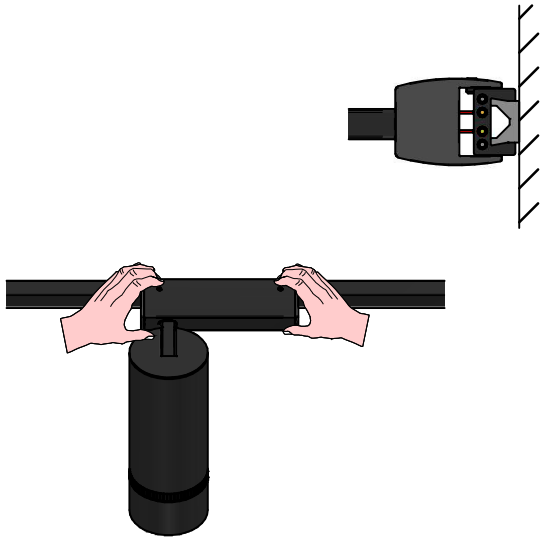
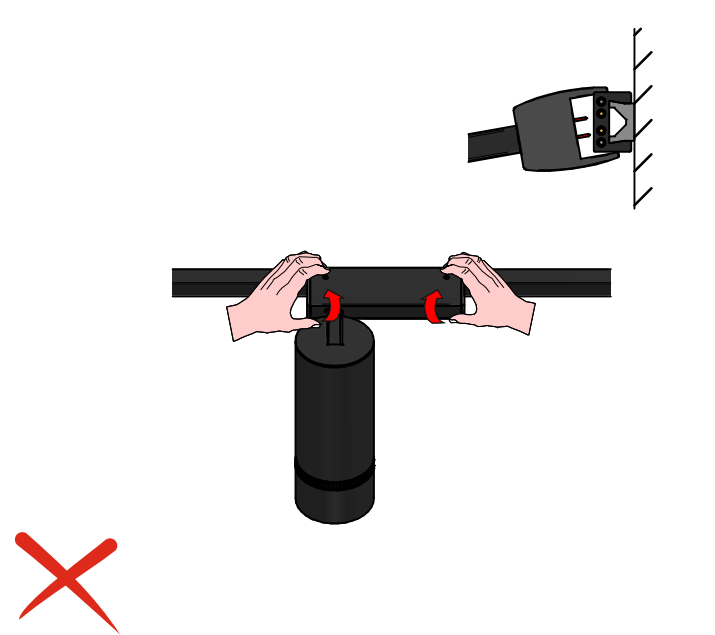
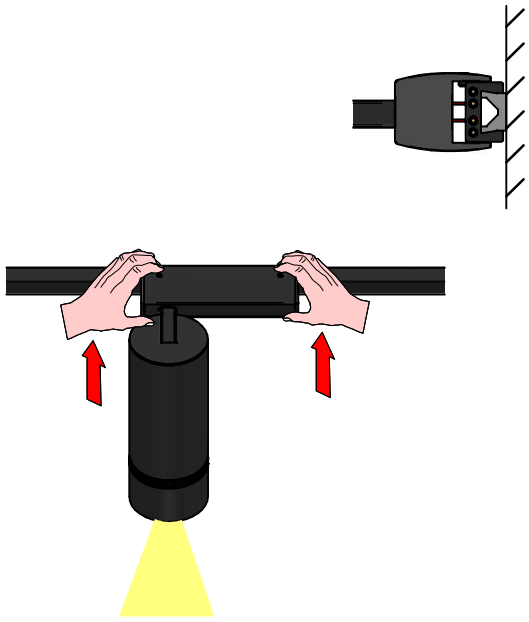


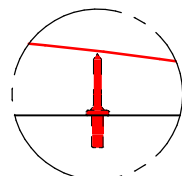
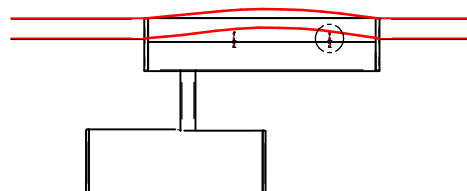
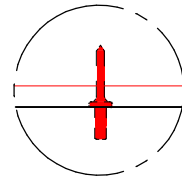
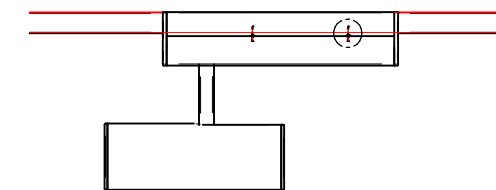
1



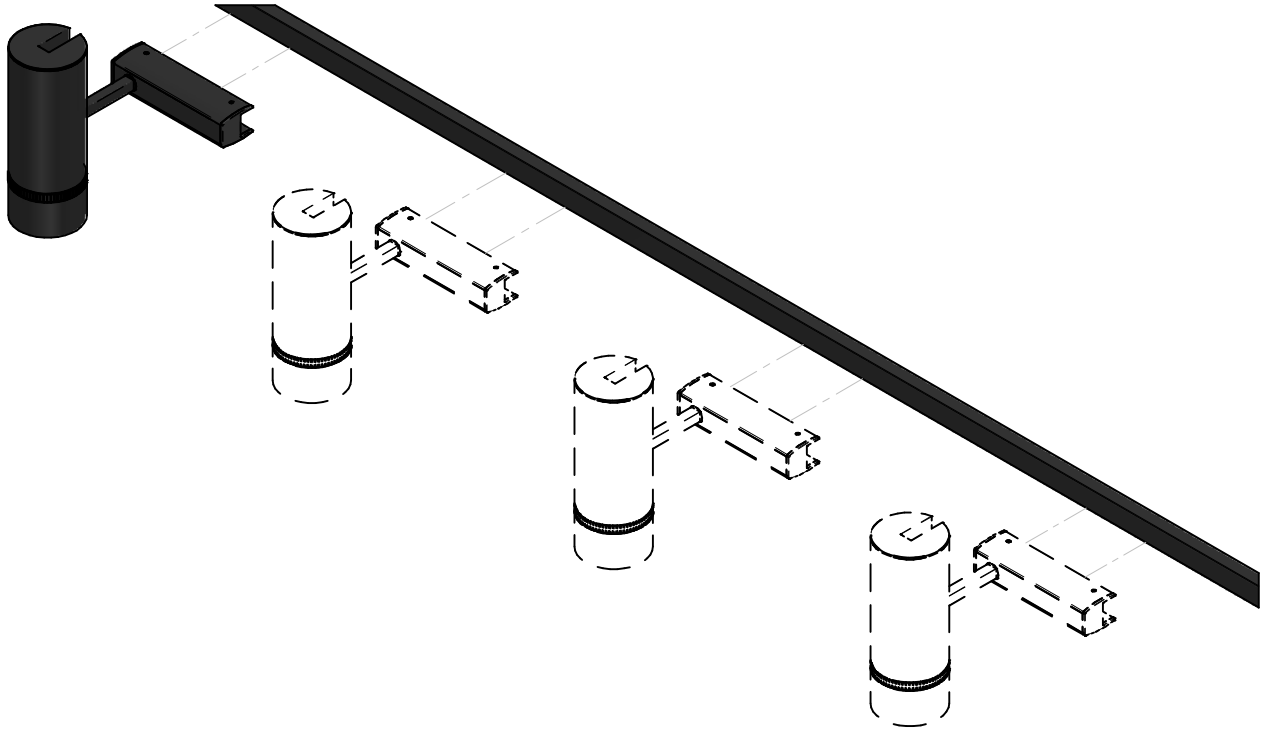
2



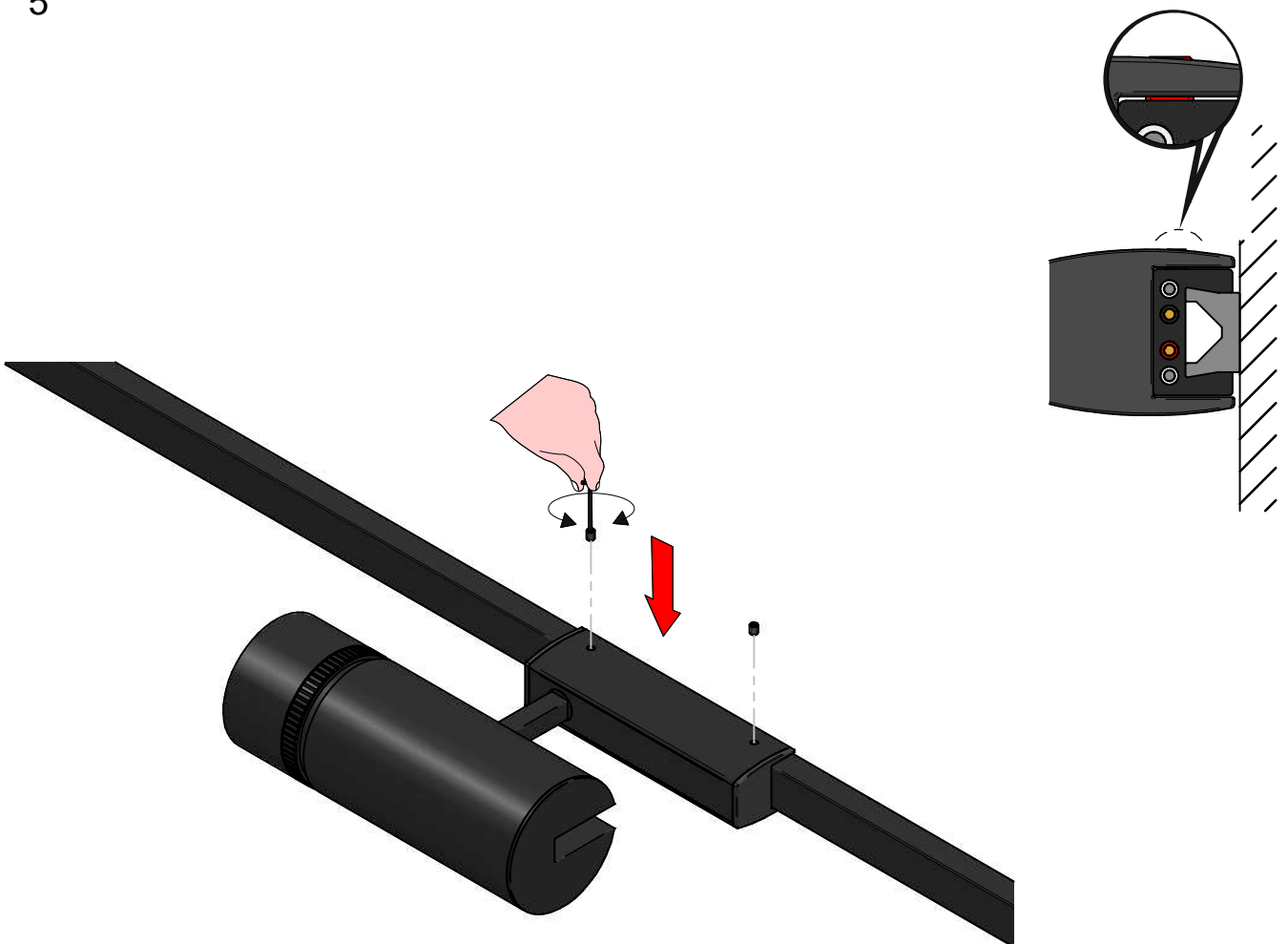
3



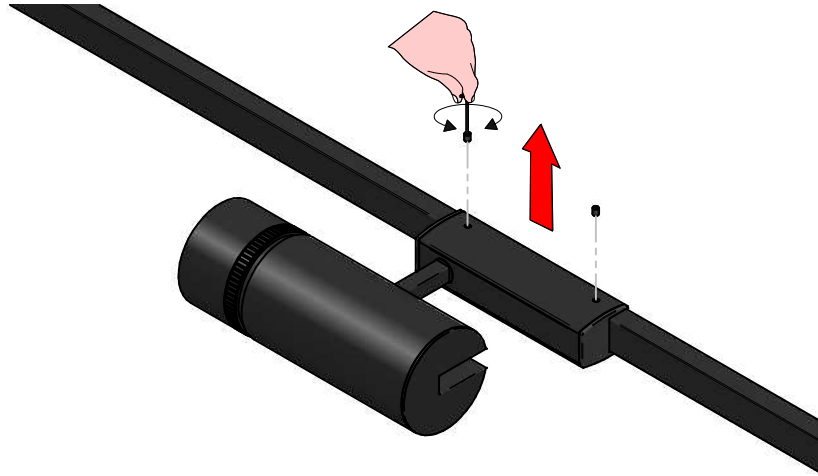
4



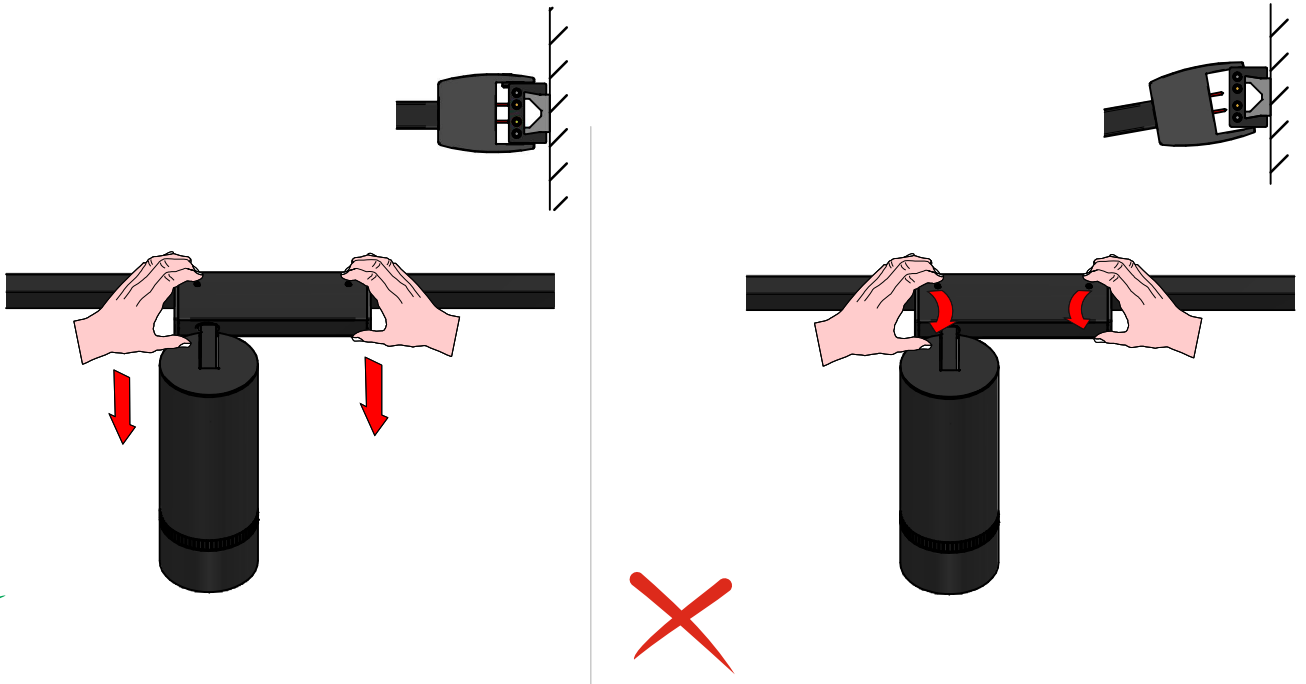
5



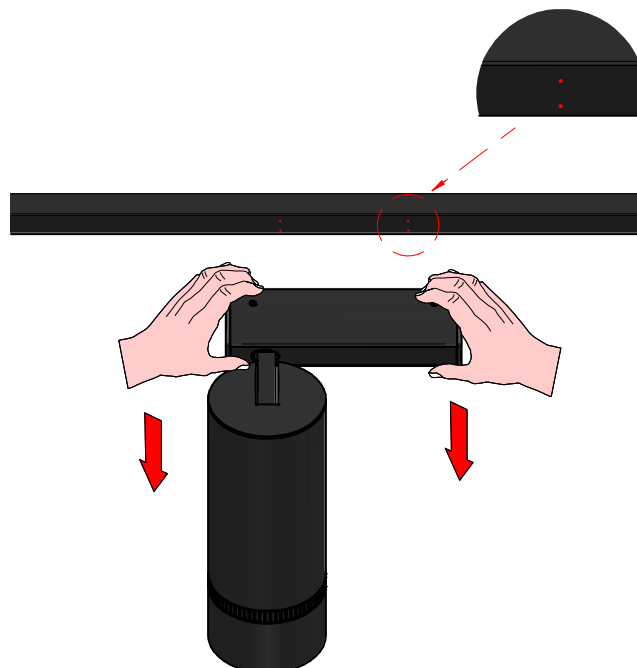
6



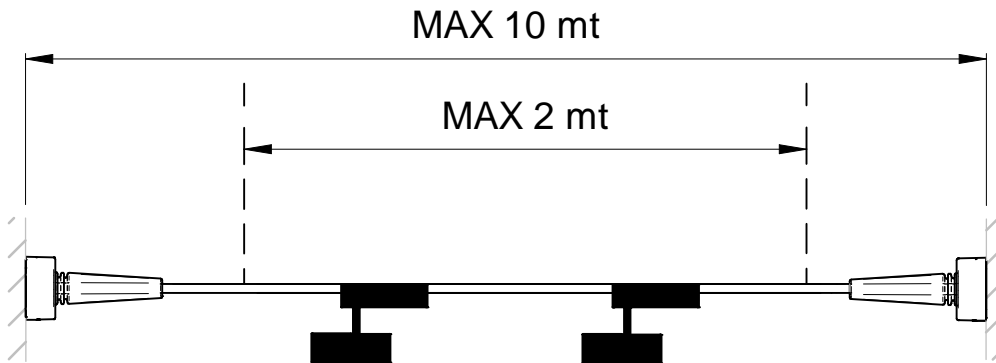
7



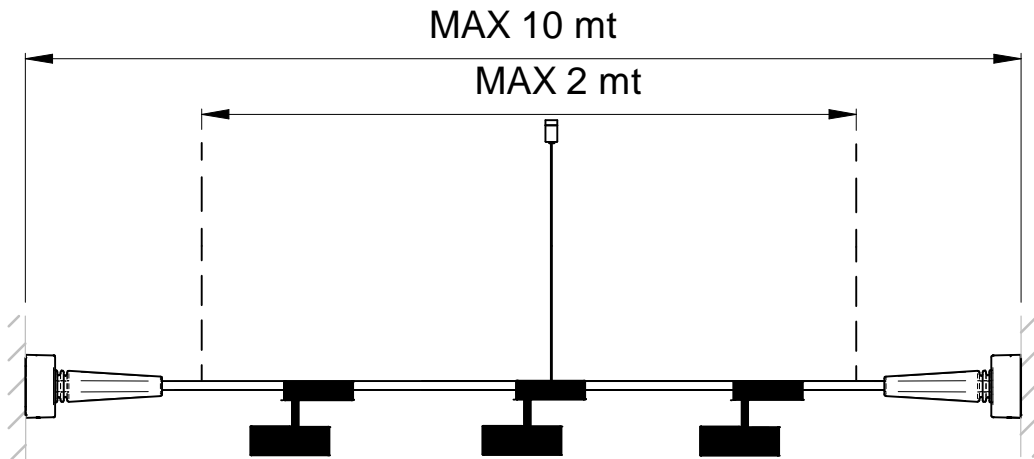
8



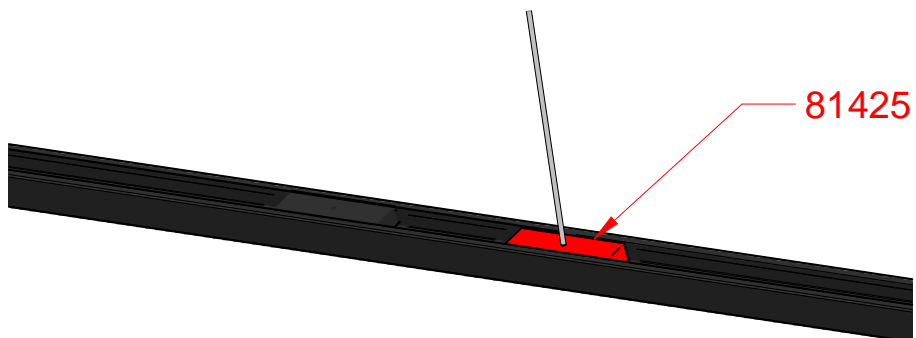
A

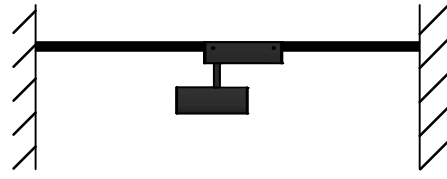


B

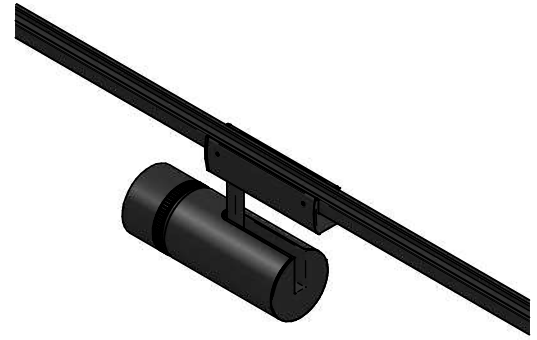
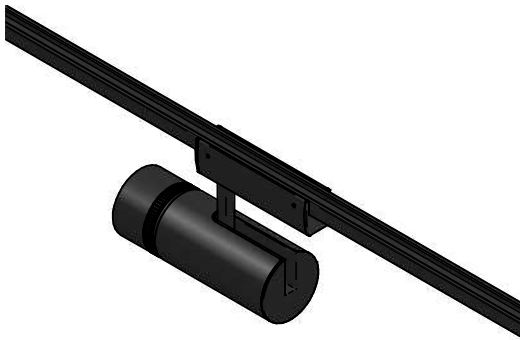
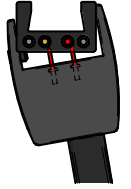
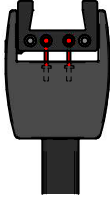


B.1

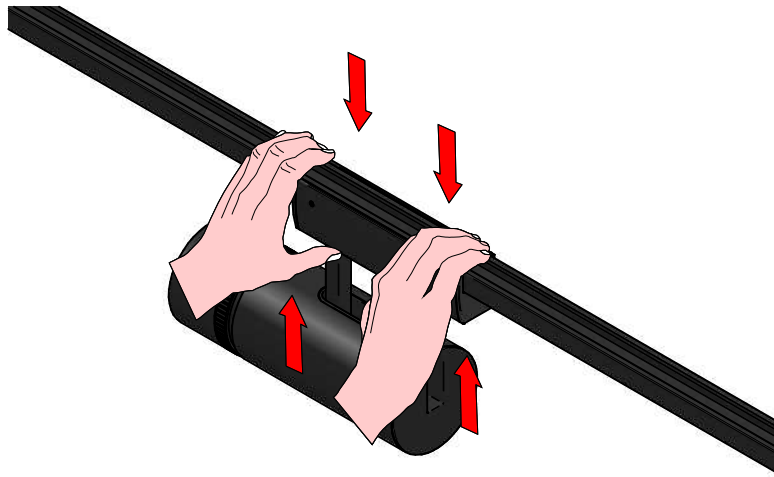




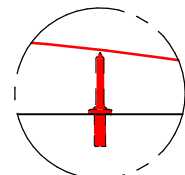
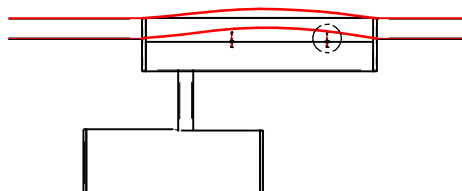
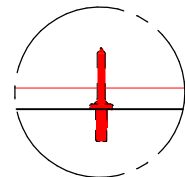
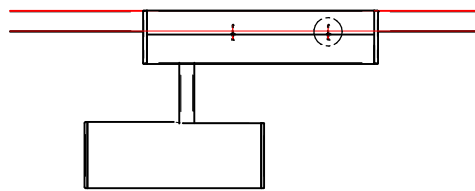
1



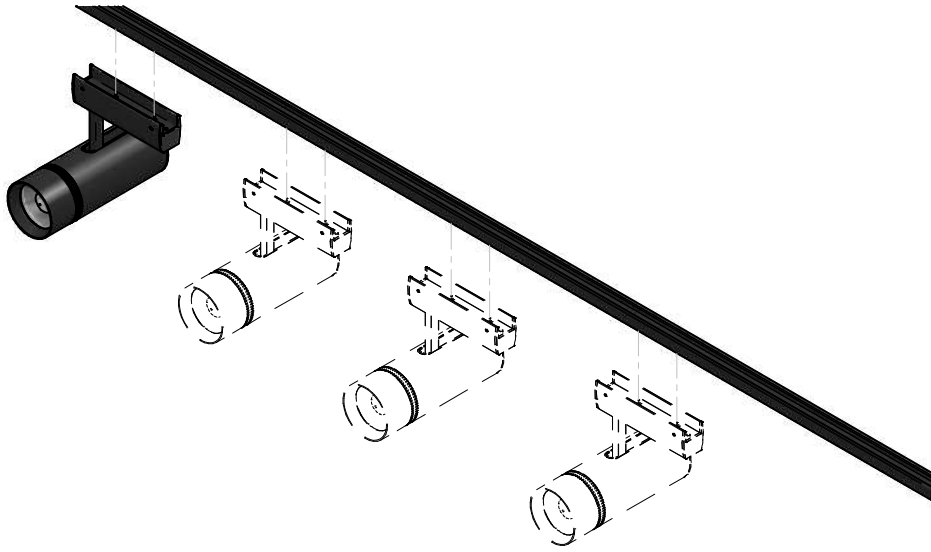
2



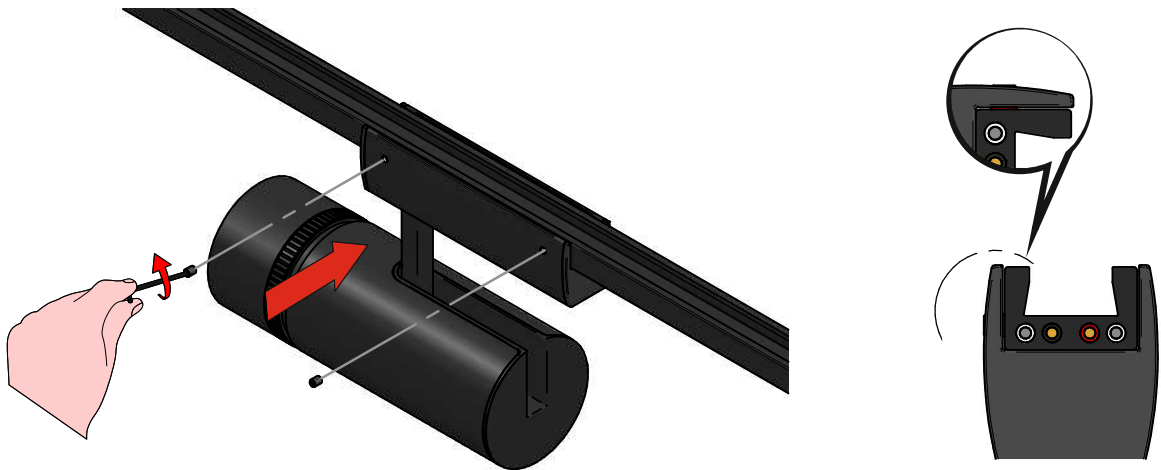
3



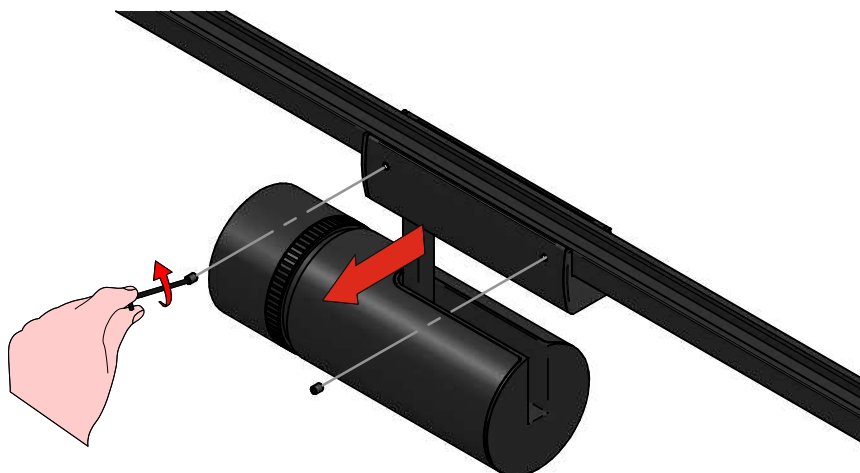
4



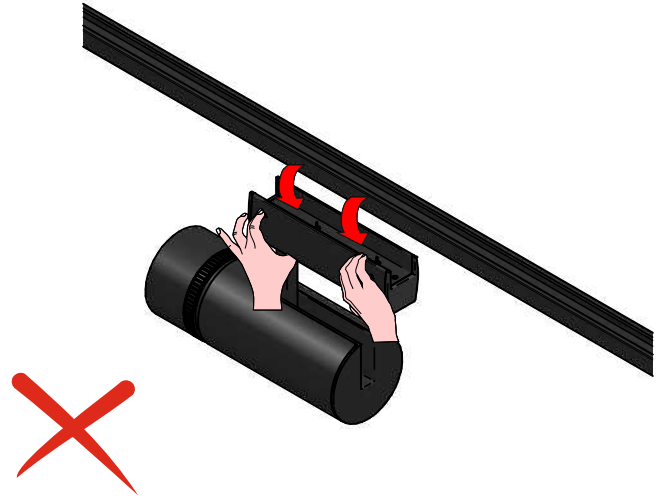
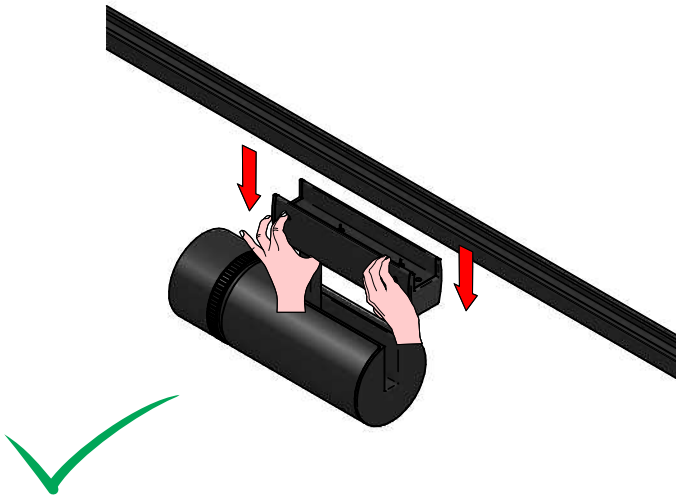
5



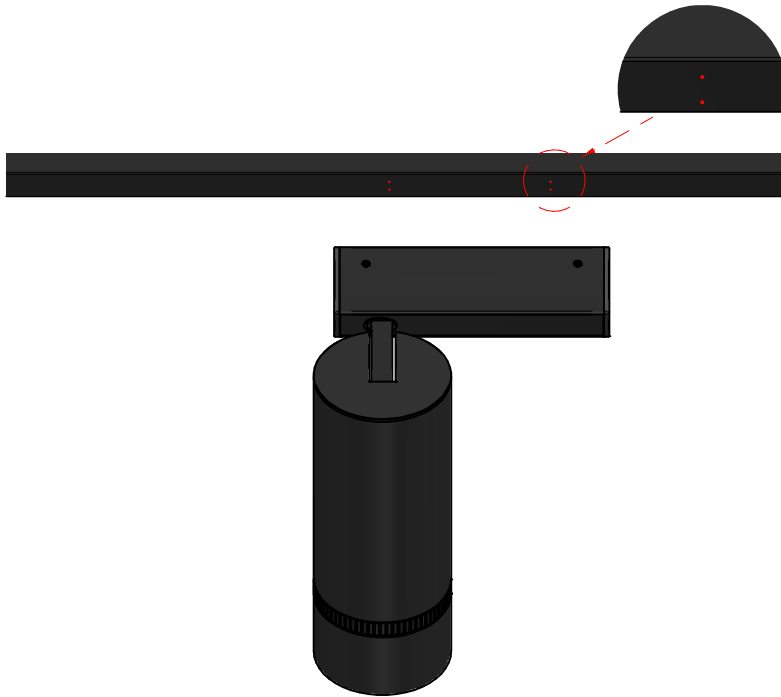
6



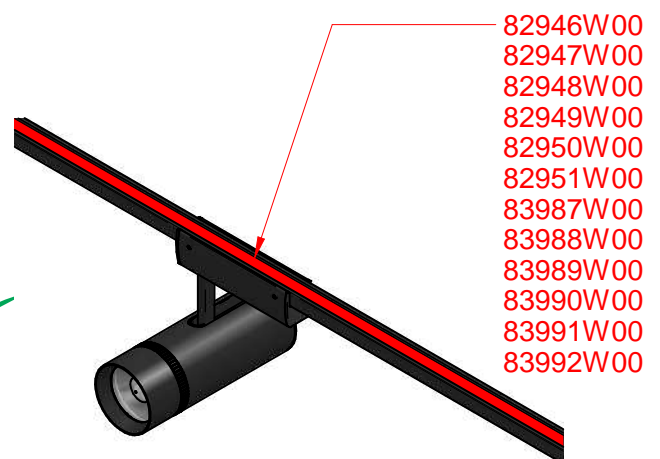
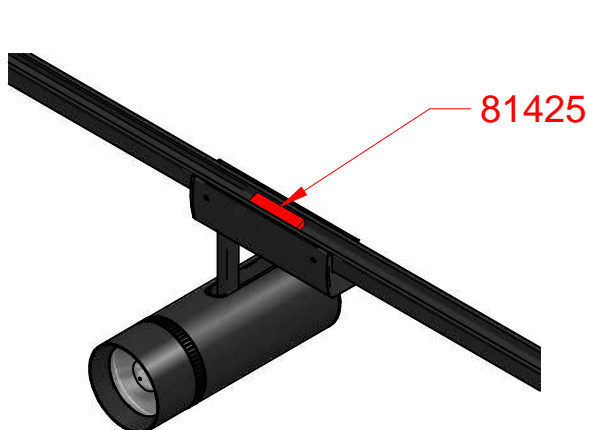
7



8



9



- 82946W00
- 82947W00
- 82948W00
- 82949W00
- 82950W00
- 82951W00
- 83987W00
- 83988W00
- 83989W00
- 83990W00
- 83991W00
- 83992W00

10

