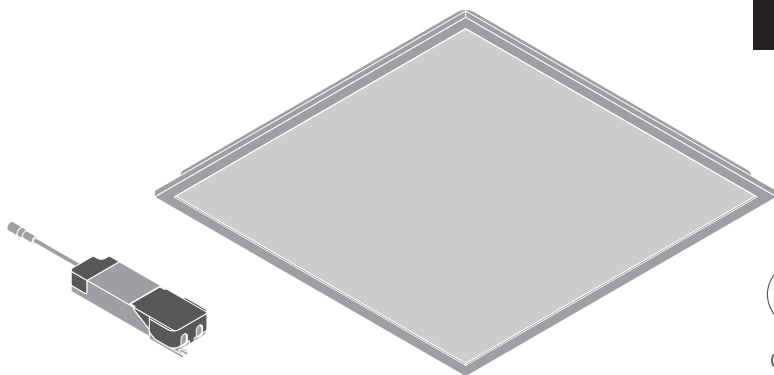


PANEL PRINT SKY

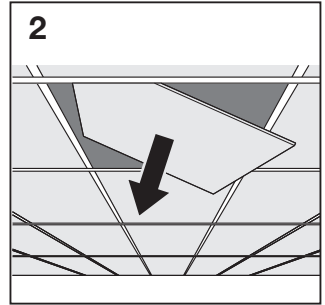
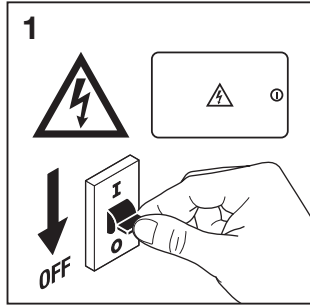
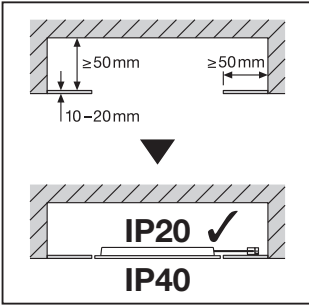



		EAN	l x w x h [mm]	W	V _{AC}	Hz
1	PL PRINT SKY1 600 V 33W	4099854535413	595 x 595 x 32	33	220-240	50/60
2	PL PRINT SKY2 600 V 33W	4099854535536	595 x 595 x 32	33	220-240	50/60
3	PL PRINT SKY3 600 V 33W	4099854535635	595 x 595 x 32	33	220-240	50/60
4	PL PRINT SKY4 600 V 33W	4099854535659	595 x 595 x 32	33	220-240	50/60
5	PL PRINT SKY5 600 V 33W	4099854535673	595 x 595 x 32	33	220-240	50/60
6	PL PRINT SKY6 600 V 33W	4099854535697	595 x 595 x 32	33	220-240	50/60
7	PL PRINT SKY7 600 V 33W	4099854535710	595 x 595 x 32	33	220-240	50/60
8	PL PRINT SKY8 600 V 33W	4099854535734	595 x 595 x 32	33	220-240	50/60
9	PL PRINT SKY9 600 V 33W	4099854535758	595 x 595 x 32	33	220-240	50/60
10	PL PRINT SKY1 625 V 33W	4099854536212	620 x 620 x 32	33	220-240	50/60
11	PL PRINT SKY2 625 V 33W	4099854536298	620 x 620 x 32	33	220-240	50/60
12	PL PRINT SKY3 625 V 33W	4099854536342	620 x 620 x 32	33	220-240	50/60
13	PL PRINT SKY4 625 V 33W	4099854536373	620 x 620 x 32	33	220-240	50/60
14	PL PRINT SKY5 625 V 33W	4099854536397	620 x 620 x 32	33	220-240	50/60
15	PL PRINT SKY6 625 V 33W	4099854536410	620 x 620 x 32	33	220-240	50/60
16	PL PRINT SKY7 625 V 33W	4099854536434	620 x 620 x 32	33	220-240	50/60
17	PL PRINT SKY8 625 V 33W	4099854536458	620 x 620 x 32	33	220-240	50/60
18	PL PRINT SKY9 625 V 33W	4099854536472	620 x 620 x 32	33	220-240	50/60

		EAN	IP	IK	∇	⌈ (°C)	PF	⚖
1	PL PRINT SKY1 600 V 33W	4099854535413	40/20	02	120°	-10...+45	> 0.9	2.0kg
2	PL PRINT SKY2 600 V 33W	4099854535536	40/20	02	120°	-10...+45	> 0.9	2.0kg
3	PL PRINT SKY3 600 V 33W	4099854535635	40/20	02	120°	-10...+45	> 0.9	2.0kg
4	PL PRINT SKY4 600 V 33W	4099854535659	40/20	02	120°	-10...+45	> 0.9	2.0kg
5	PL PRINT SKY5 600 V 33W	4099854535673	40/20	02	120°	-10...+45	> 0.9	2.0kg
6	PL PRINT SKY6 600 V 33W	4099854535697	40/20	02	120°	-10...+45	> 0.9	2.0kg
7	PL PRINT SKY7 600 V 33W	4099854535710	40/20	02	120°	-10...+45	> 0.9	2.0kg
8	PL PRINT SKY8 600 V 33W	4099854535734	40/20	02	120°	-10...+45	> 0.9	2.0kg
9	PL PRINT SKY9 600 V 33W	4099854535758	40/20	02	120°	-10...+45	> 0.9	2.0kg
10	PL PRINT SKY1 625 V 33W	4099854536212	40/20	02	120°	-10...+45	> 0.9	2.1kg
11	PL PRINT SKY2 625 V 33W	4099854536298	40/20	02	120°	-10...+45	> 0.9	2.1kg
12	PL PRINT SKY3 625 V 33W	4099854536342	40/20	02	120°	-10...+45	> 0.9	2.1kg
13	PL PRINT SKY4 625 V 33W	4099854536373	40/20	02	120°	-10...+45	> 0.9	2.1kg
14	PL PRINT SKY5 625 V 33W	4099854536397	40/20	02	120°	-10...+45	> 0.9	2.1kg
15	PL PRINT SKY6 625 V 33W	4099854536410	40/20	02	120°	-10...+45	> 0.9	2.1kg
16	PL PRINT SKY7 625 V 33W	4099854536434	40/20	02	120°	-10...+45	> 0.9	2.1kg
17	PL PRINT SKY8 625 V 33W	4099854536458	40/20	02	120°	-10...+45	> 0.9	2.1kg
18	PL PRINT SKY9 625 V 33W	4099854536472	40/20	02	120°	-10...+45	> 0.9	2.1kg

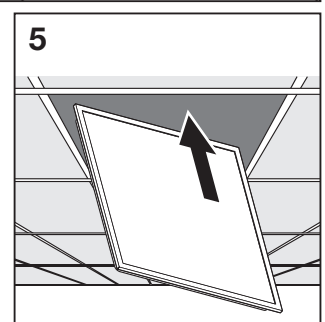
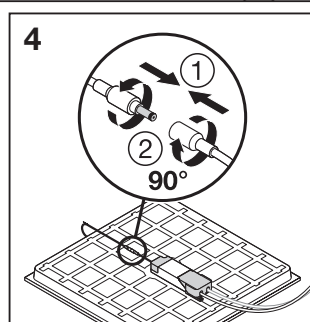
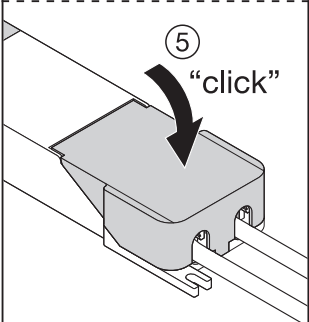
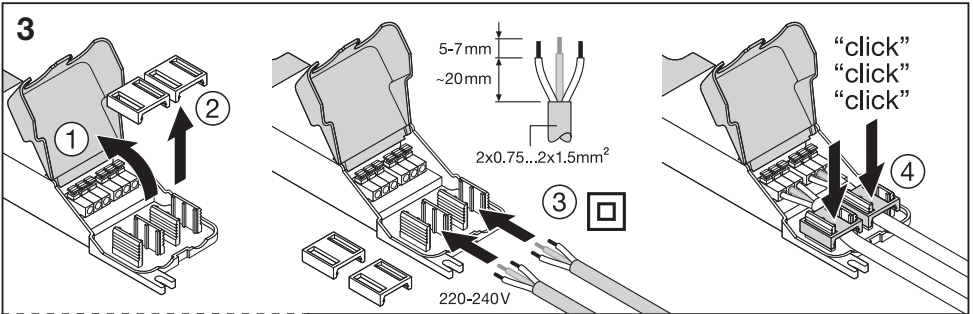
	EAN	Consists of Line (1x each)
PL PRINT SKY 600 V 33W SET6	4099854538377	1, 2, 3, 4, 5, 6
PL PRINT SKY 600 V 33W SET9	4099854538414	1, 2, ... 9
PL PRINT SKY 625 V 33W SET6	4099854538353	10, ...15
PL PRINT SKY 625 V 33W SET9	4099854538391	10, ...18

PANEL PRINT SKY

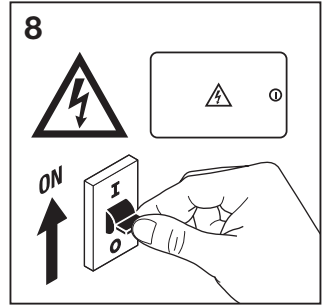
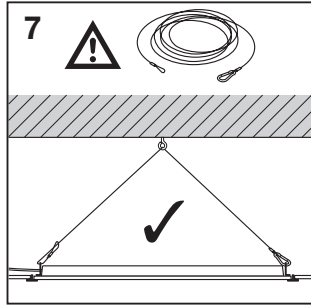
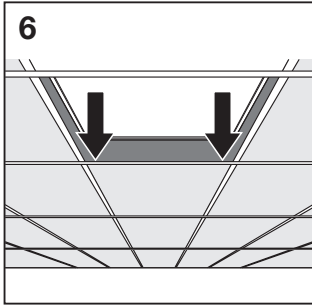


PL COMP 600/625 V 35W 830 840 (2CCT)

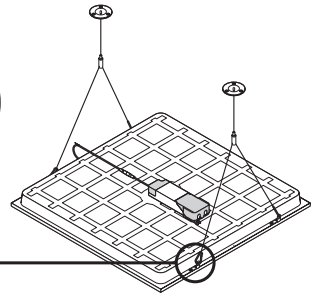
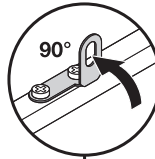
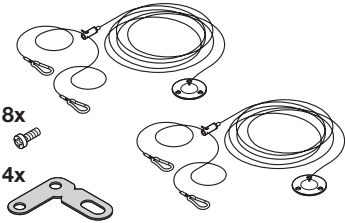
T [Kelvin] / W _{AC}	lm	
	30W	35W
3000K/4000K	3300 lm	3850 lm



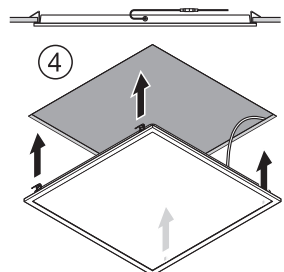
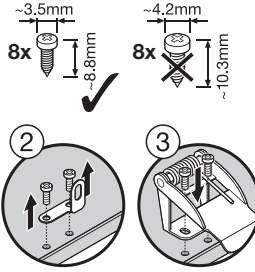
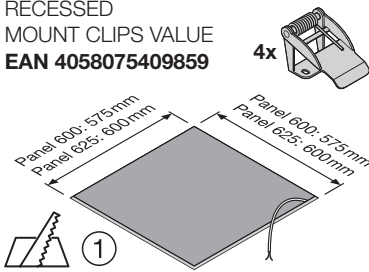
PANEL PRINT SKY



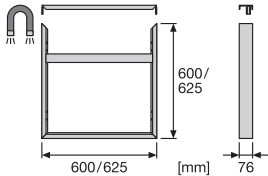
SUSPENSION KIT EAN 4058075402928



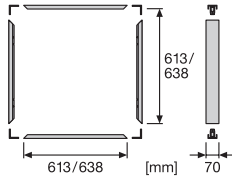
RECESSED MOUNT CLIPS VALUE EAN 4058075409859



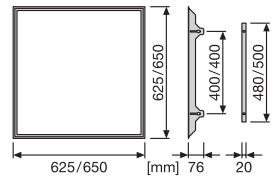
PL 600 SURFACE MOUNT KIT H75
EAN 4058075472914 (white)
EAN 4058075834330 (black)
PL 625 SURFACE MOUNT KIT H75
EAN 4058075402938 (white)
EAN 4058075834354 (black)

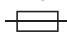
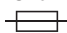
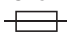



PL 600 SURFACE MOUNT KIT H70 VAL
EAN 4058075402843
PL 625 SURFACE MOUNT KIT H70 VAL
EAN 4058075402867



PL 600 RECESSED MOUNT FRAME
EAN 4058075402881
PL 625 RECESSED MOUNT FRAME
EAN 4058075402904



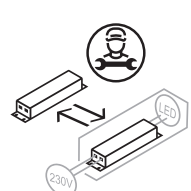
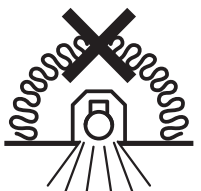
	B16A 	C10A 	C16A 
PL PRINT 600/625 V 33W	n=61	n=48	n=78



FR
Cet appareil et ses accessoires se recyclent


À DÉPOSER EN MAGASIN
OU
À DÉPOSER EN DÉCHÈTERIE

Points de collecte sur www.quefairedemesdechets.fr

LEDVANCE SASU
CQM, 5 rue d'Altorf
67120 Molsheim France
www.ledvance.com

© LEDVANCE Ltd, Sterling House,
810 Mandarin Court, Warrington,
Cheshire, WA1 1GG, United Kingdom



C10449057
G11226094
20.03.25