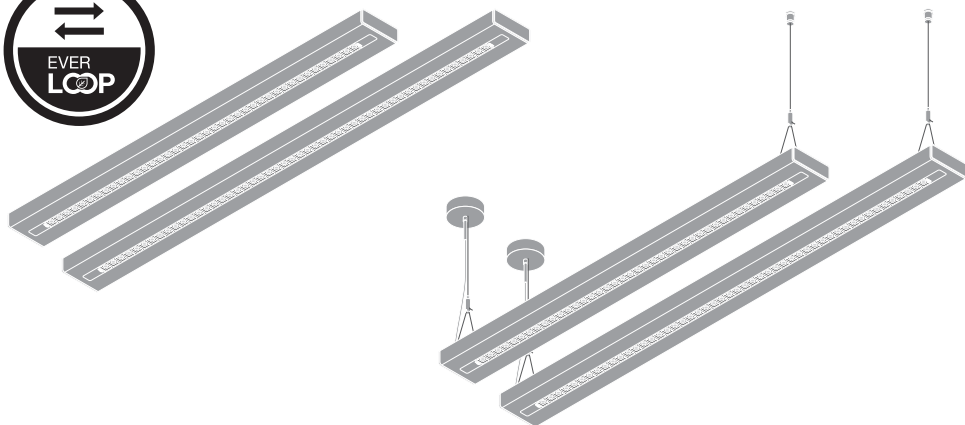


LINEAR INDIVILED® DIRECT

LINEAR INDIVILED® DIRECT/INDIRECT

LEDVANCE



	EAN	l x w x h [mm]	K	IP	IK	Temp (°C)
LN INV D 1200 P 40W 930 PS WT	4099854135316	1210x125x43	3000	20	06	-20...+50
LN INV D 1200 P 40W 930 PS BK	4099854296703	1210x125x43	3000	20	06	-20...+50
LN INV D 1200 P 40W 940 PS WT	4099854135330	1210x125x43	4000	20	06	-20...+50
LN INV D 1200 P 40W 940 PS BK	4099854296741	1210x125x43	4000	20	06	-20...+50
LN INV DI 1200 P 55W 930 PS WT	4099854135156	1210x125x43	3000	20	06	-20...+50
LN INV DI 1200 P 55W 930 PS BK	4099854296888	1210x125x43	3000	20	06	-20...+50
LN INV DI 1200 P 55W 940 PS WT	4099854135170	1210x125x43	4000	20	06	-20...+50
LN INV DI 1200 P 55W 940 PS BK	4099854296901	1210x125x43	4000	20	06	-20...+50
LN INV D 1500 P 52W 930 PS WT	4099854135477	1475x125x43	3000	20	06	-20...+50
LN INV D 1500 P 52W 930 PS BK	4099854296789	1475x125x43	3000	20	06	-20...+50
LN INV D 1500 P 52W 940 PS WT	4099854135491	1475x125x43	4000	20	06	-20...+50
LN INV D 1500 P 52W 940 PS BK	4099854296826	1475x125x43	4000	20	06	-20...+50
LN INV DI 1500 P 69W 930 PS WT	4099854135231	1475x125x43	3000	20	06	-20...+50
LN INV DI 1500 P 69W 930 PS BK	4099854296949	1475x125x43	3000	20	06	-20...+50
LN INV DI 1500 P 69W 940 PS WT	4099854135255	1475x125x43	4000	20	06	-20...+50
LN INV DI 1500 P 69W 940 PS BK	4099854296987	1475x125x43	4000	20	06	-20...+50

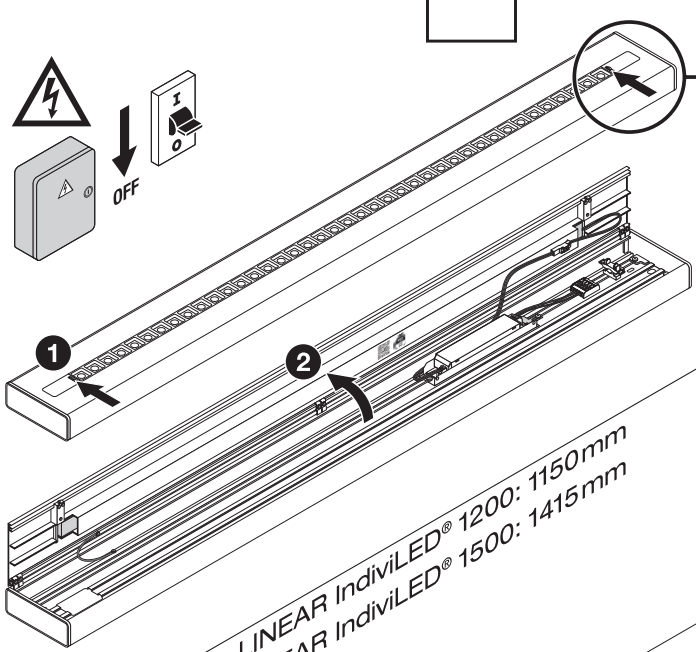
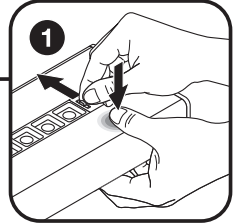
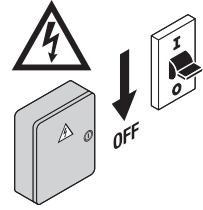
	EAN	V _{AC}	Hz	∠	PF	R _a	⊞
LN INV D 1200 P 40W 930 PS WT	4099854135316	220-240V	50/60	90°	> 0.9	> 90	3.2kg
LN INV D 1200 P 40W 930 PS BK	4099854296703	220-240V	50/60	90°	> 0.9	> 90	3.2kg
LN INV D 1200 P 40W 940 PS WT	4099854135330	220-240V	50/60	90°	> 0.9	> 90	3.2kg
LN INV D 1200 P 40W 940 PS BK	4099854296741	220-240V	50/60	90°	> 0.9	> 90	3.2kg
LN INV DI 1200 P 55W 930 PS WT	4099854135156	220-240V	50/60	90° + 130°	> 0.9	> 90	3.7kg
LN INV DI 1200 P 55W 930 PS BK	4099854296888	220-240V	50/60	90° + 130°	> 0.9	> 90	3.7kg
LN INV DI 1200 P 55W 940 PS WT	4099854135170	220-240V	50/60	90° + 130°	> 0.9	> 90	3.7kg
LN INV DI 1200 P 55W 940 PS BK	4099854296901	220-240V	50/60	90° + 130°	> 0.9	> 90	3.7kg
LN INV D 1500 P 52W 930 PS WT	4099854135477	220-240V	50/60	90°	> 0.9	> 90	3.9kg
LN INV D 1500 P 52W 930 PS BK	4099854296789	220-240V	50/60	90°	> 0.9	> 90	3.9kg
LN INV D 1500 P 52W 940 PS WT	4099854135491	220-240V	50/60	90°	> 0.9	> 90	3.9kg
LN INV D 1500 P 52W 940 PS BK	4099854296826	220-240V	50/60	90°	> 0.9	> 90	3.9kg
LN INV DI 1500 P 69W 930 PS WT	4099854135231	220-240V	50/60	90° + 130°	> 0.9	> 90	4.3kg
LN INV DI 1500 P 69W 930 PS BK	4099854296949	220-240V	50/60	90° + 130°	> 0.9	> 90	4.3kg
LN INV DI 1500 P 69W 940 PS WT	4099854135255	220-240V	50/60	90° + 130°	> 0.9	> 90	4.3kg
LN INV DI 1500 P 69W 940 PS BK	4099854296987	220-240V	50/60	90° + 130°	> 0.9	> 90	4.3kg

LINEAR INDIVILED® DIRECT

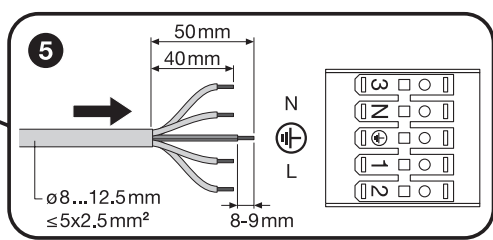
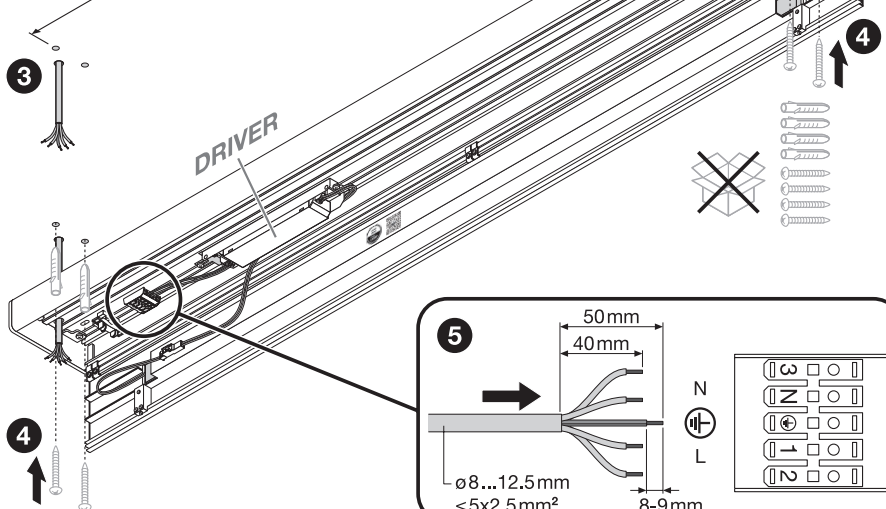
LINEAR INDIVILED® DIRECT/INDIRECT



LINEAR IndiviLED® DIRECT

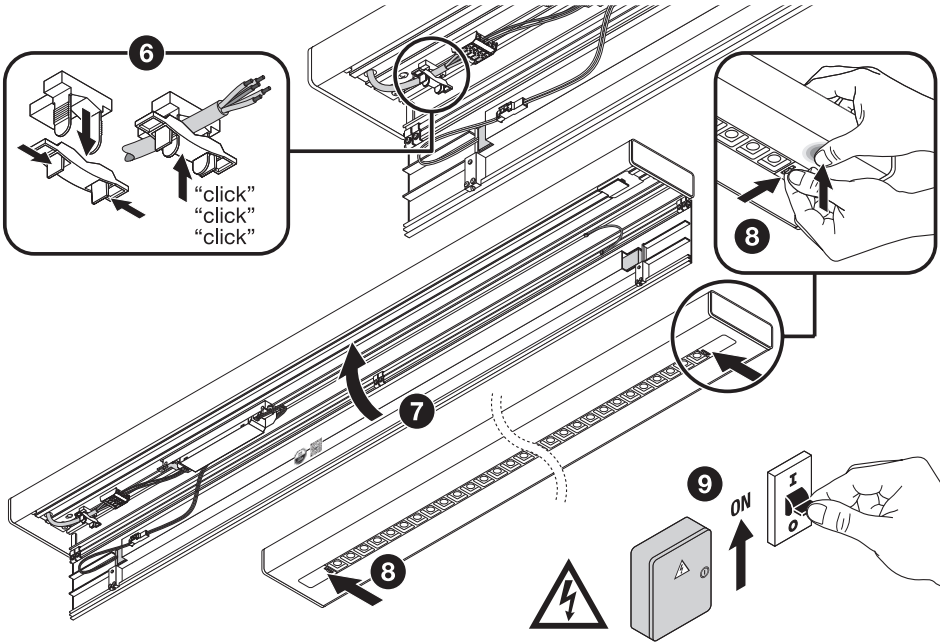
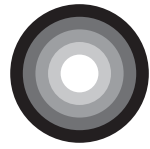


LINEAR IndiviLED® 1200: 1150 mm
 LINEAR IndiviLED® 1500: 1415 mm



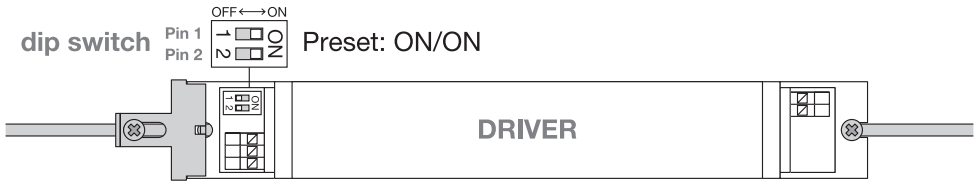
LINEAR INDIVILED® DIRECT

LINEAR INDIVILED® DIRECT/INDIRECT



LINEAR INDIVILED® DIRECT

LINEAR INDIVILED® DIRECT/INDIRECT



LINEAR IndiviLED® DIRECT WT	DRIVER	dip switch			mA	W	Im	lm/W
		Pin 1	Pin 2	Preset				
LN INV D 1200 P 40W 930 PS WT	OSRAM IT FIT 40/ 220...240/ 800 CS L	OFF	OFF	-	500	25	3150	126
		OFF	ON	-	600	30	3700	123
		ON	OFF	-	700	36	4400	122
		ON	ON	Preset	800	40	4800	120
LN INV D 1200 P 40W 940 PS WT	OSRAM IT FIT 40/ 220...240/ 800 CS L	OFF	OFF	-	500	25	3250	130
		OFF	ON	-	600	30	3900	130
		ON	OFF	-	700	36	4600	128
		ON	ON	Preset	800	40	5050	126
LN INV D 1500 P 52W 930 PS WT	OSRAM OT FIT 55W CS L AP_V3.2	OFF	OFF	-	800	40	4850	121
		OFF	ON	-	900	46	5450	118
		ON	OFF	-	975	48	5650	118
		ON	ON	Preset	1050	52	6050	116
LN INV D 1500 P 52W 940 PS WT	OSRAM OT FIT 55W CS L AP_V3.2	OFF	OFF	-	800	40	5200	130
		OFF	ON	-	900	46	5900	128
		ON	OFF	-	975	48	6100	127
		ON	ON	Preset	1050	52	6550	126

LINEAR IndiviLED® DIRECT BK	DRIVER	dip switch			mA	W	Im	lm/W
		Pin 1	Pin 2	Preset				
LN INV D 1200 P 40W 930 PS BK	OSRAM IT FIT 40/ 220...240/ 800 CS L	OFF	OFF	-	500	25	3050	122
		OFF	ON	-	600	30	3600	120
		ON	OFF	-	700	36	4250	118
		ON	ON	Preset	800	40	4650	116
LN INV D 1200 P 40W 940 PS BK	OSRAM IT FIT 40/ 220...240/ 800 CS L	OFF	OFF	-	500	25	3150	126
		OFF	ON	-	600	30	3800	127
		ON	OFF	-	700	36	4450	124
		ON	ON	Preset	800	40	4900	123
LN INV D 1500 P 52W 930 PS BK	OSRAM OT FIT 55W CS L AP_V3.2	OFF	OFF	-	800	40	4700	118
		OFF	ON	-	900	46	5300	115
		ON	OFF	-	975	48	5500	115
		ON	ON	Preset	1050	52	5900	113
LN INV D 1500 P 52W 940 PS BK	OSRAM OT FIT 55W CS L AP_V3.2	OFF	OFF	-	800	40	5050	126
		OFF	ON	-	900	46	5700	124
		ON	OFF	-	975	48	5900	123
		ON	ON	Preset	1050	52	6350	122

LINEAR INDIVILED® DIRECT

LINEAR INDIVILED® DIRECT/INDIRECT



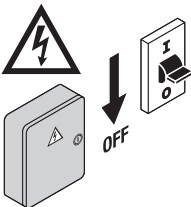
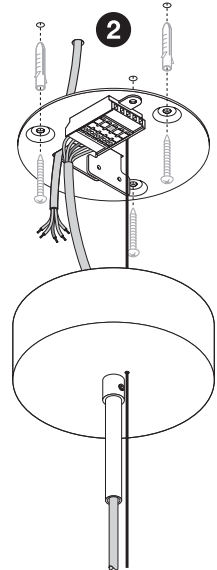
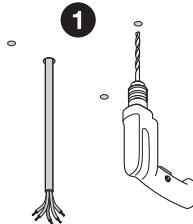
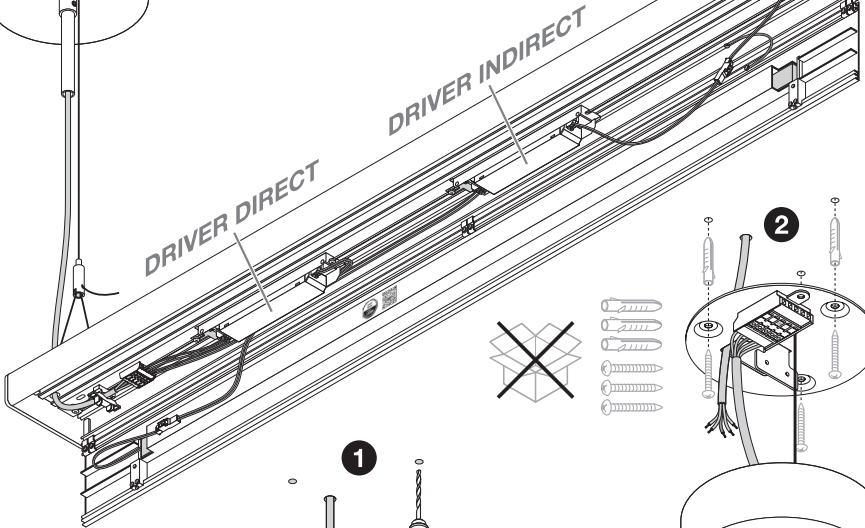
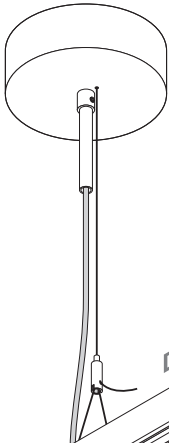
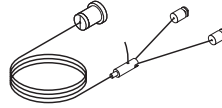
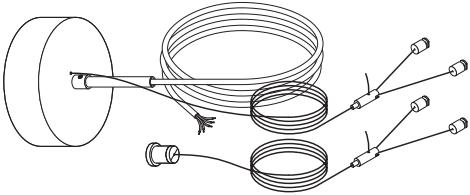
LINEAR IndiviLED® DIRECT

LINEAR IndiviLED® DIRECT/INDIRECT



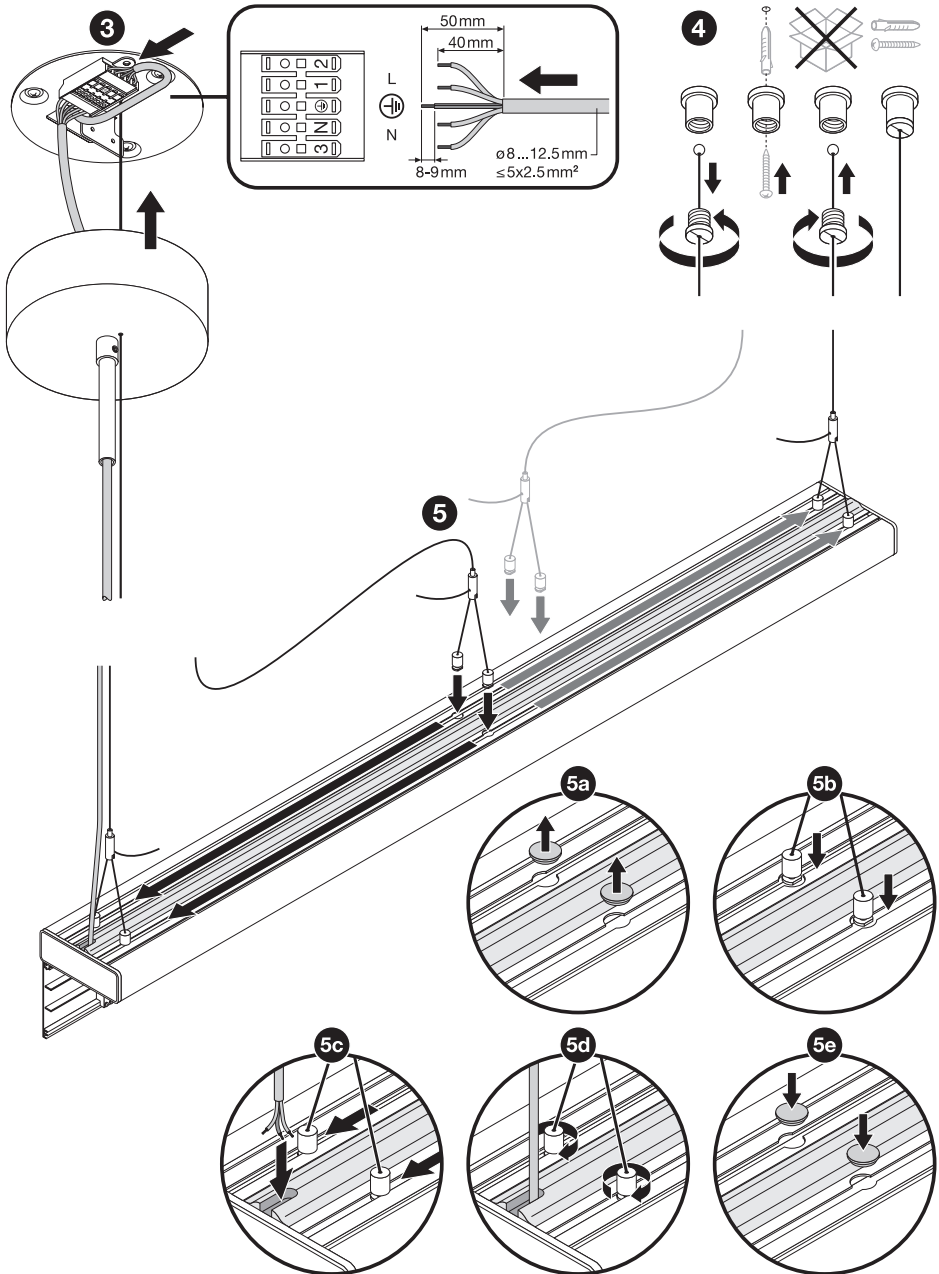
LINEAR IndiviLED® SUSPENSION KIT
WT: EAN 4099854215537
BK: EAN 4099854297069

LINEAR IndiviLED®
SUSPENSION Wire
EAN 4099854323980



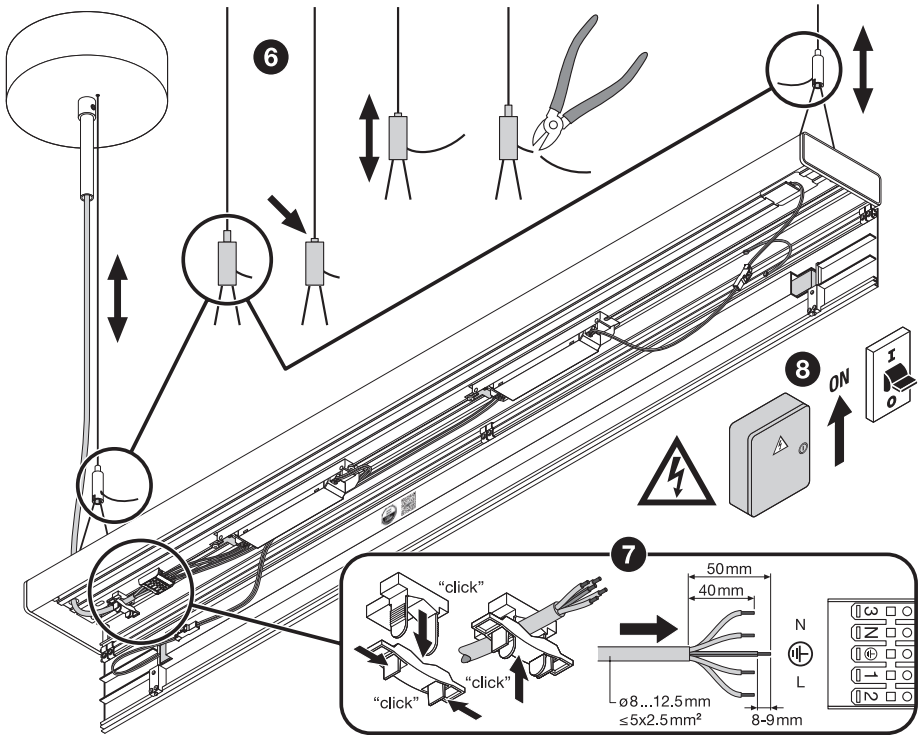
LINEAR INDIVILED® DIRECT

LINEAR INDIVILED® DIRECT/INDIRECT



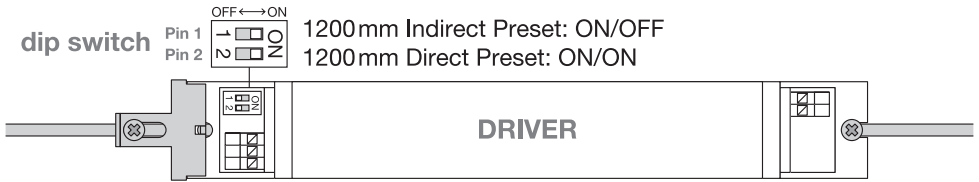
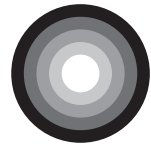
LINEAR INDIVILED® DIRECT

LINEAR INDIVILED® DIRECT/INDIRECT



LINEAR INDIVILED® DIRECT

LINEAR INDIVILED® DIRECT/INDIRECT



LINEAR IndivILED® DIR/IND WT	DRIVER DIRECT	dip switch			mA	W	lm
		Pin 1	Pin 2	Preset			
LN INV DI 1200 P 55W 930 PS WT	OSRAM	OFF	OFF	–	500	25	3150
	IT FIT 40/ 220...240/ 800 CS L	OFF	ON	–	600	30	3700
		ON	OFF	–	700	36	4400
		ON	ON	Preset	800	40	4800
LN INV DI 1200 P 55W 940 PS WT	OSRAM	OFF	OFF	–	500	25	3250
	IT FIT 40/ 220...240/ 800 CS L	OFF	ON	–	600	30	3900
		ON	OFF	–	700	36	4600
		ON	ON	Preset	800	40	5050
LN INV DI 1500 P 69W 930 PS WT	OSRAM	OFF	OFF	–	800	40	4850
	OT FIT 55/ 220...240/ 1A0 CS LAP	OFF	ON	–	900	46	5450
		ON	OFF	–	975	48	5650
		ON	ON	Preset	1050	52	6050
LN INV DI 1500 P 69W 940 PS WT	OSRAM	OFF	OFF	–	800	40	5200
	IT FIT 18/ 220...240/ 350 CS L	OFF	ON	–	900	46	5900
		ON	OFF	–	975	48	6100
		ON	ON	Preset	1050	52	6550

DRIVER INDIRECT	dip switch			mA	W	lm
	Pin 1	Pin 2	Preset			
OSRAM IT FIT 18/ 220...240/ 350 CS L	OFF	OFF	–	200	10	1300
	OFF	ON	–	250	13	1650
	OFF	ON	–	250	13	1650
	ON	OFF	Preset	300	15	2000
OSRAM IT FIT 18/ 220...240/ 350 CS L	ON	OFF	–	200	10	1350
	OFF	ON	–	250	13	1800
	OFF	ON	–	250	13	1800
	ON	OFF	Preset	300	15	2150
OSRAM IT FIT 18/ 220...240/ 350 CS L	ON	ON	Preset	300	15	2150
	OFF	ON	–	250	13	1800
	ON	OFF	–	300	15	2150
	ON	ON	Preset	350	17	2300
OSRAM IT FIT 18/ 220...240/ 350 CS L	ON	ON	–	250	13	1900
	ON	OFF	–	300	15	2300
	ON	OFF	–	300	15	2300
	ON	ON	Preset	350	17	2500

Total			
mA	W	lm	lm/W
700	35	4450	127
850	43	5350	124
950	49	6050	123
1100	55	6800	124
700	35	4600	131
850	43	5700	133
950	49	6400	131
1100	55	7200	131
1050	53	6650	125
1200	61	7600	125
1275	63	7800	124
1400	69	8350	121
1050	53	7100	134
1200	61	8200	134
1275	63	8400	133
1400	69	9050	131

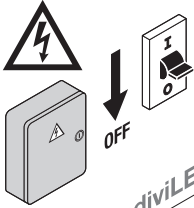
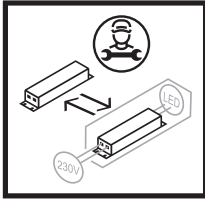
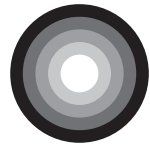
LINEAR IndivILED® DIR/IND BK	DRIVER DIRECT	dip switch			mA	W	lm
		Pin 1	Pin 2	Preset			
LN INV DI 1200 P 55W 930 PS BK	OSRAM	OFF	OFF	–	500	25	3050
	IT FIT 40/ 220...240/ 800 CS L	OFF	ON	–	600	30	3600
		ON	OFF	–	700	36	4250
		ON	ON	Preset	800	40	4650
LN INV DI 1200 P 55W 940 PS BK	OSRAM	OFF	OFF	–	500	25	3150
	IT FIT 40/ 220...240/ 800 CS L	OFF	ON	–	600	30	3800
		ON	OFF	–	700	36	4450
		ON	ON	Preset	800	40	4900
LN INV DI 1500 P 69W 930 PS BK	OSRAM	OFF	OFF	–	800	40	4700
	OT FIT 55/ 220...240/ 1A0 CS LAP	OFF	ON	–	900	46	5300
		ON	OFF	–	975	48	5500
		ON	ON	Preset	1050	52	5900
LN INV DI 1500 P 69W 940 PS BK	OSRAM	OFF	OFF	–	800	40	5050
	IT FIT 18/ 220...240/ 350 CS L	OFF	ON	–	900	46	5700
		ON	OFF	–	975	48	5900
		ON	ON	Preset	1050	52	6350

DRIVER INDIRECT	dip switch			mA	W	lm
	Pin 1	Pin 2	Preset			
OSRAM IT FIT 18/ 220...240/ 350 CS L	OFF	OFF	–	200	10	1300
	OFF	ON	–	250	13	1650
	OFF	ON	–	250	13	1650
	ON	OFF	Preset	300	15	2000
OSRAM IT FIT 18/ 220...240/ 350 CS L	ON	OFF	–	200	10	1350
	OFF	ON	–	250	13	1800
	OFF	ON	–	250	13	1800
	ON	OFF	Preset	300	15	2150
OSRAM IT FIT 18/ 220...240/ 350 CS L	ON	ON	Preset	350	17	2300
	OFF	ON	–	250	13	1900
	ON	OFF	–	300	15	2300
	ON	ON	Preset	350	17	2500

Total			
mA	W	lm	lm/W
700	35	4350	124
850	43	5250	122
950	49	5900	120
1100	55	6650	121
700	35	4500	129
850	43	5600	130
950	49	6250	128
1100	55	7050	128
1050	53	6500	123
1200	61	7450	122
1275	63	7650	121
1400	69	8200	119
1050	53	6950	131
1200	61	8000	131
1275	63	8200	130
1400	69	8850	128

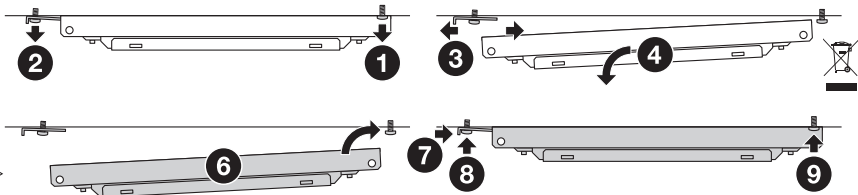
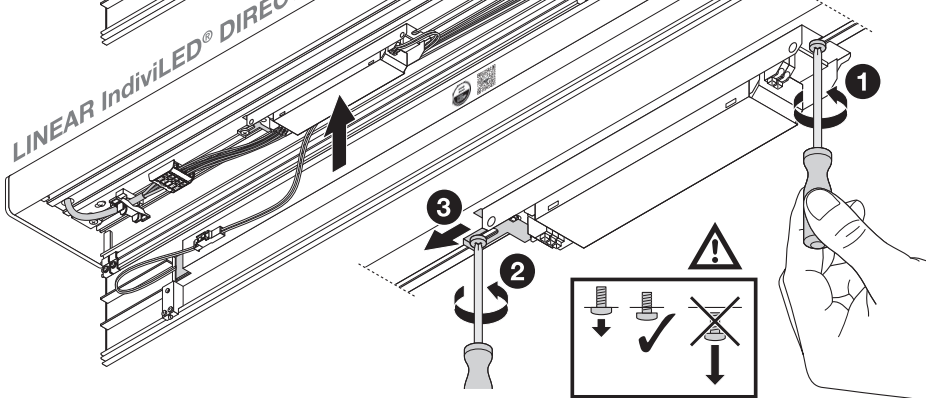
LINEAR INDIVILED® DIRECT

LINEAR INDIVILED® DIRECT/INDIRECT



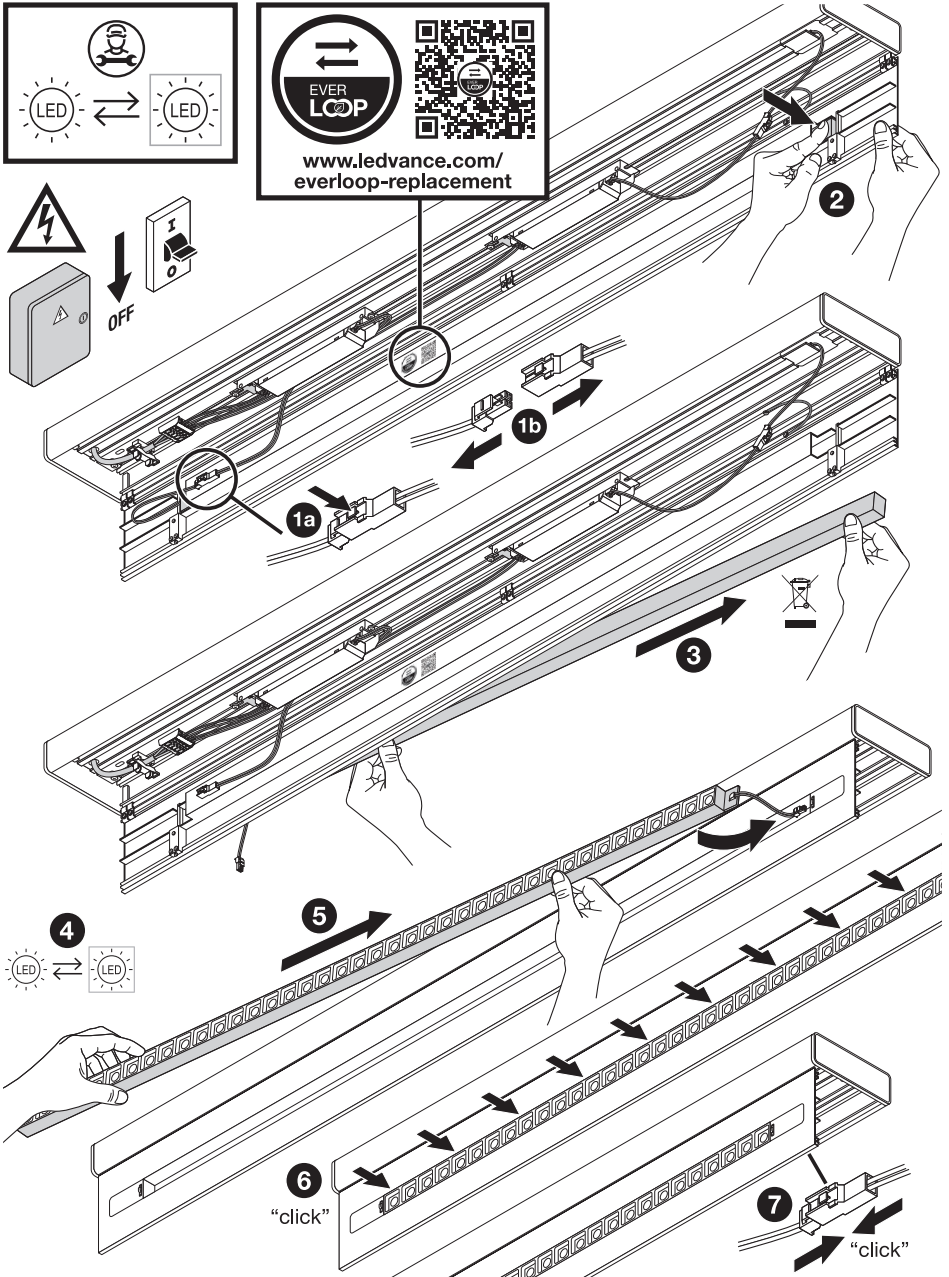
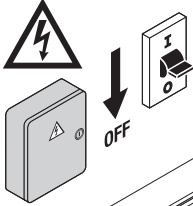
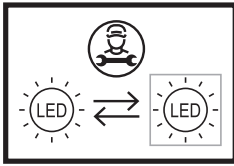
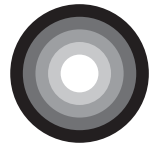
LINEAR IndiviLED® DIRECT: 1x DRIVER

LINEAR IndiviLED® DIRECT/INDIRECT: 2x DRIVER



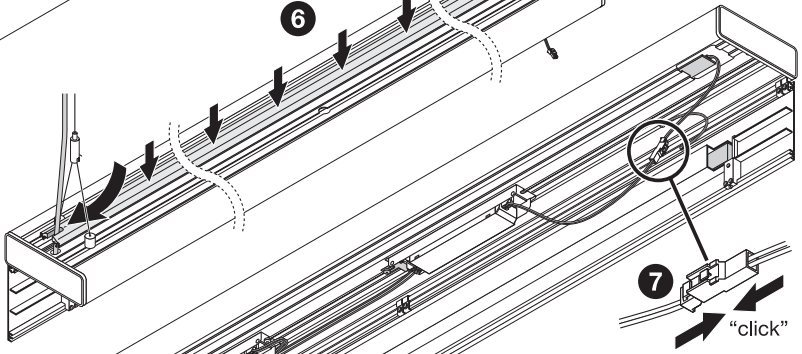
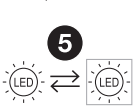
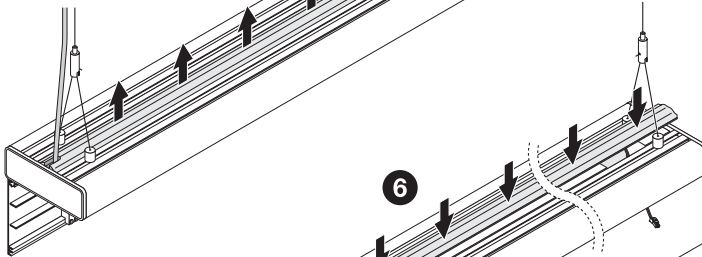
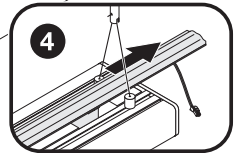
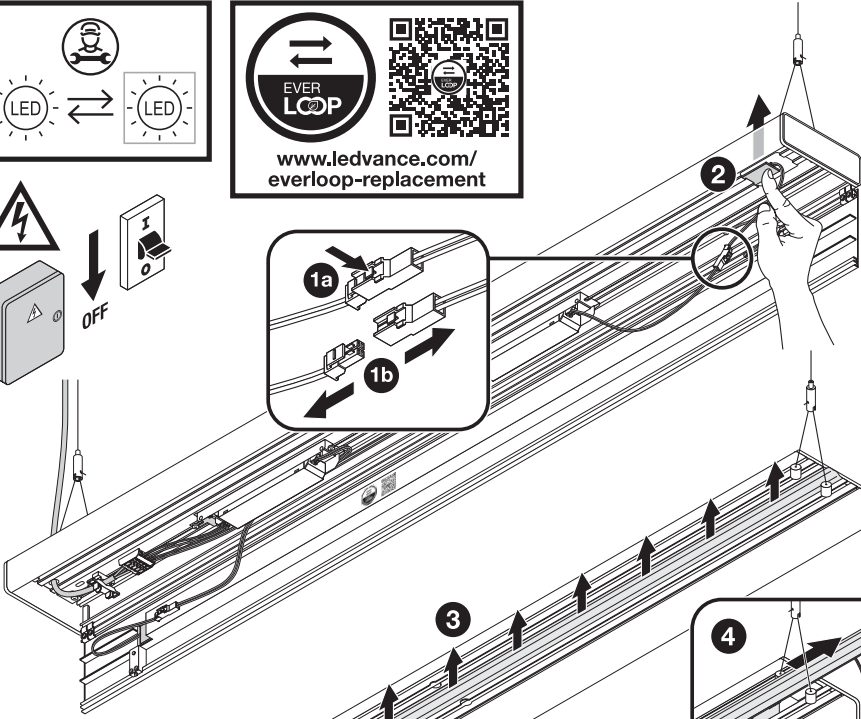
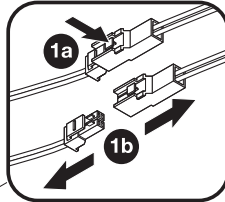
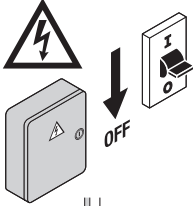
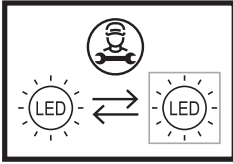
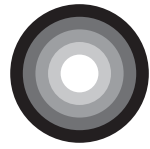
LINEAR INDIVILED® DIRECT

LINEAR INDIVILED® DIRECT/INDIRECT



LINEAR INDIVILED® DIRECT

LINEAR INDIVILED® DIRECT/INDIRECT



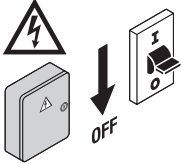
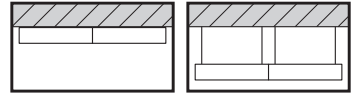
LINEAR INDIVILED® DIRECT

LINEAR INDIVILED® DIRECT/INDIRECT

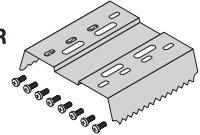


LINEAR IndiviLED® DIRECT

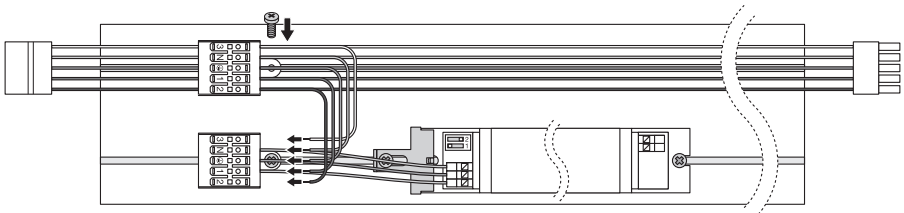
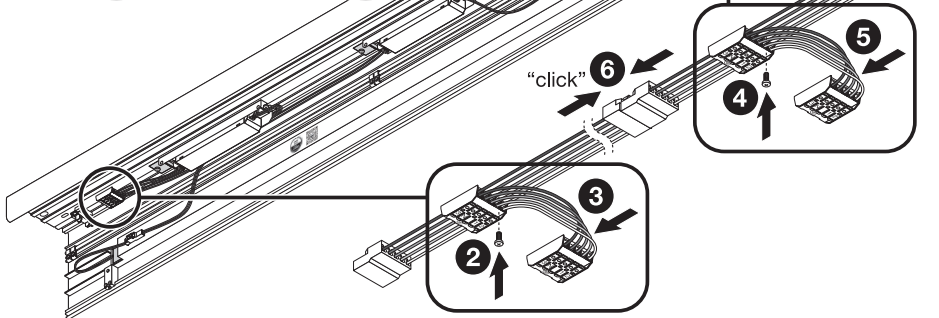
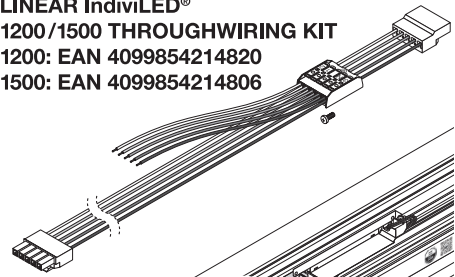
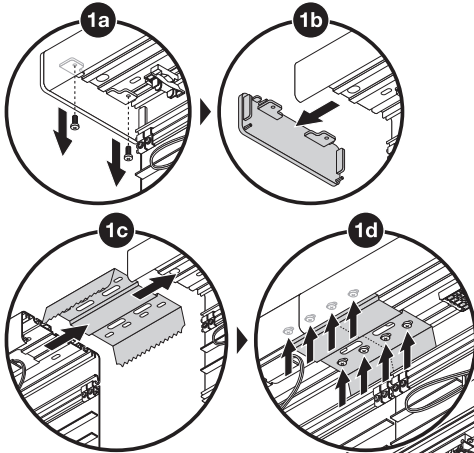
LINEAR IndiviLED® DIRECT/INDIRECT



LINEAR IndiviLED®
 INLINE CONNECTOR
 EAN 4099854215612



LINEAR IndiviLED®
 1200/1500 THROUGHWIRING KIT
 1200: EAN 4099854214820
 1500: EAN 4099854214806

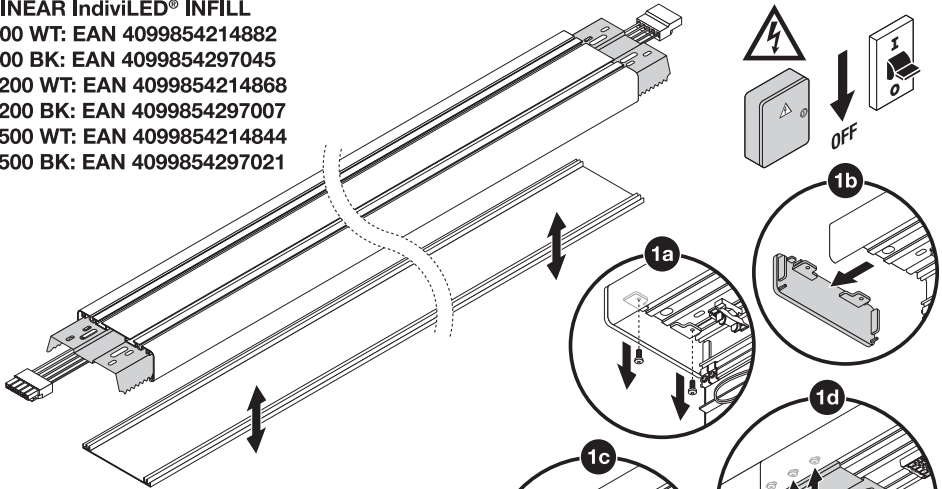


LINEAR INDIVILED® DIRECT

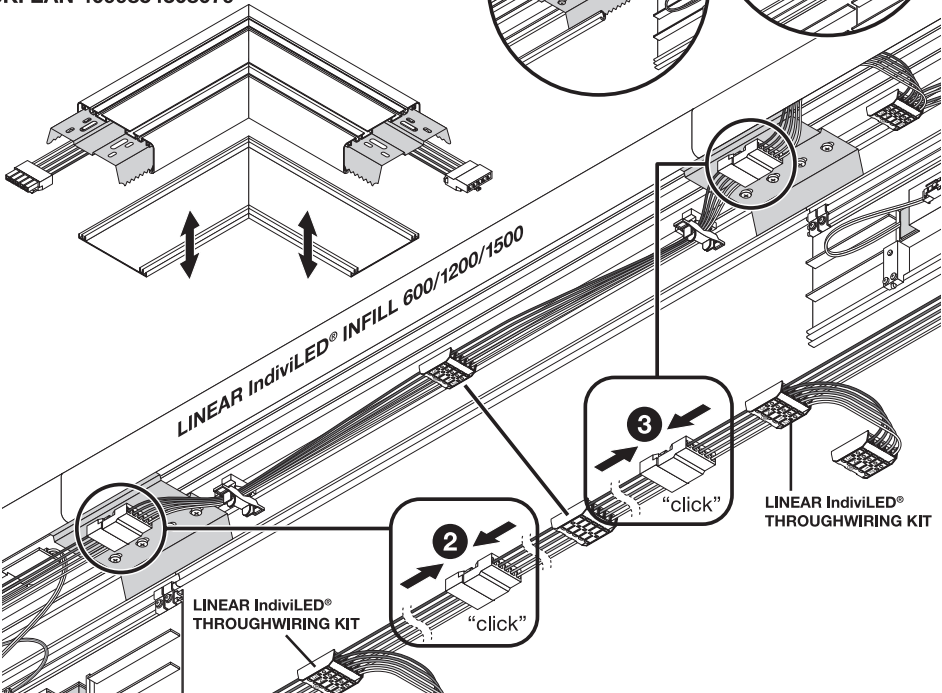
LINEAR INDIVILED® DIRECT/INDIRECT



LINEAR IndiviLED® INFILL
 600 WT: EAN 4099854214882
 600 BK: EAN 4099854297045
 1200 WT: EAN 4099854214868
 1200 BK: EAN 4099854297007
 1500 WT: EAN 4099854214844
 1500 BK: EAN 4099854297021

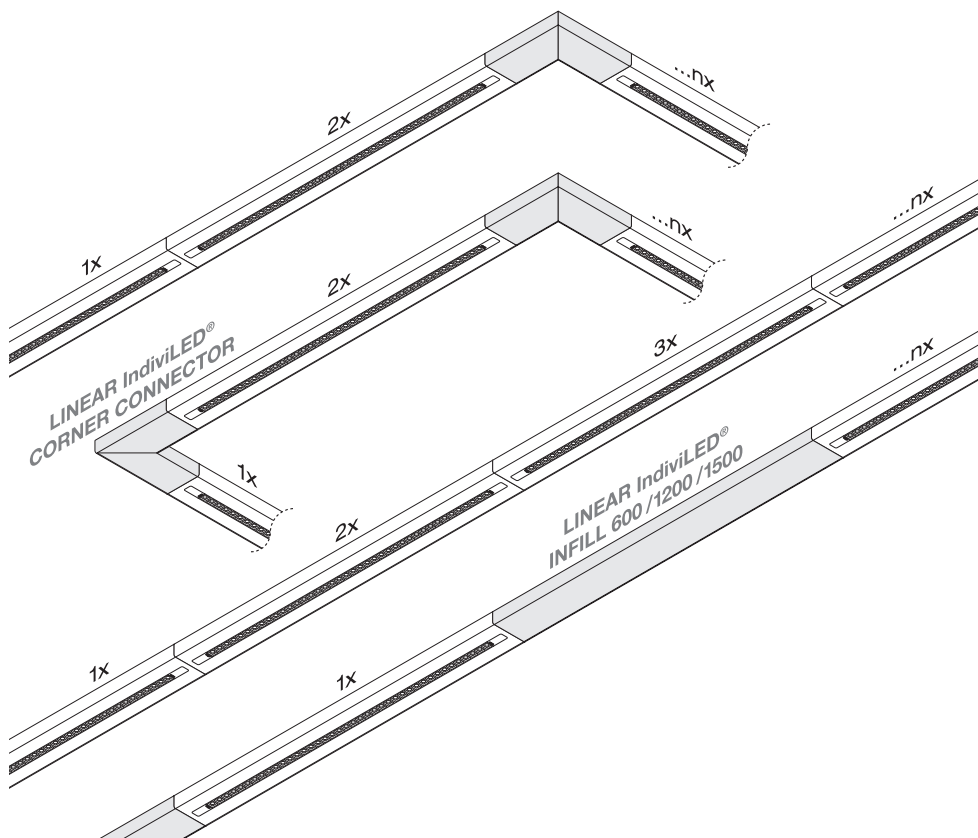


LINEAR IndiviLED® CORNER CONNECTOR
 WT: EAN 4099854308093
 BK: EAN 4099854308079



LINEAR INDIVILED® DIRECT

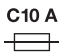
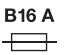

LINEAR INDIVILED® DIRECT/INDIRECT



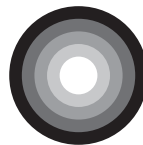
1x, 2x, 3x, ...nx

LINEAR IndiviLED® DIRECT

LINEAR IndiviLED® DIRECT/INDIRECT

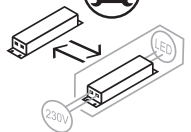
			
LN INV D 1200 P 40W 930 PS	36	50	58
LN INV D 1200 P 40W 940 PS	36	50	58
LN INV DI 1200 P 55W 930 PS	29	47	47
LN INV DI 1200 P 55W 940 PS	29	47	47
LN INV D 1500 P 52W 930 PS	23	28	38
LN INV D 1500 P 52W 940 PS	23	28	38
LN INV DI 1500 P 69W 930 PS	14	17	23
LN INV DI 1500 P 69W 940 PS	14	17	23

LINEAR INDIVILED® DIRECT
LINEAR INDIVILED® DIRECT/INDIRECT





PAP
Raccolta Carta
Verifica le disposizioni
del tuo comune.



FR
Cet appareil et
ses accessoires
se recyclent

À DÉPOSER
EN MAGASIN

À DÉPOSER
EN DÉCHÈTERIE



OU



Points de collecte sur www.quefairedemesdechets.fr



C10449060
G11206709

11.09.24

LEDVANCE GmbH
Steinerne Furt 62
86167 Augsburg, Germany
www.ledvance.com

© LEDVANCE Ltd, Sterling House,
810 Mandarin Court, Warrington,
Cheshire, WA1 1GG, United Kingdom

EVER LOOP

www.ledvance.com/everloop