

52104580	<b>DATA SHEET</b>	
Valid from: 03.07.2018	<b>SKINDICHT® ME-M ATEX</b>	

The SKINDICHT® ME-M ATEX enlargers with guide groove for O-Ring (recess) enable the use of cable gland with outer threads that are larger than the existing threaded holes on machinery, devices and housings.



### Components:

Enlarger	Brass, nickel-plated
O-ring	NBR

### Technical features:

External thread	M12x1.5 up to M50x1.5 acc. to EN 60423
Internal thread	M16x1.5 up to M63x1.5 acc. to EN 60423
Temperature range	-30 °C up to + 90 °C
Protection class	IP66 and IP68 acc. to EN 60529

<b>Category:</b>	Equipment Group II
	Category 2G / 1D

### Approvals:



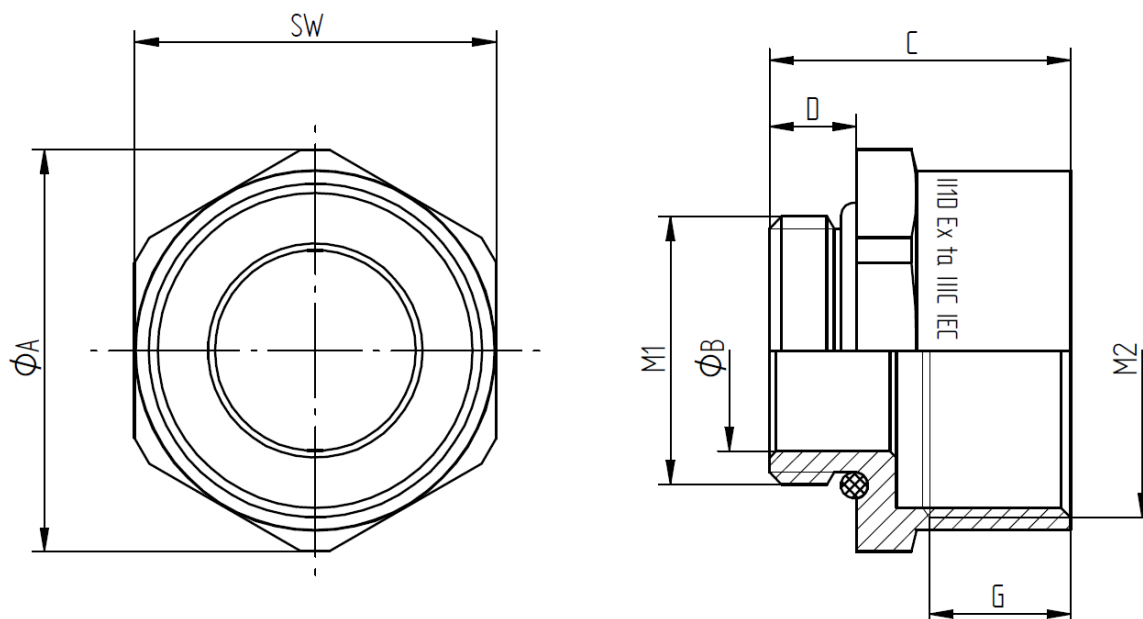
EC Type Examination Certification	IBExU 03 ATEX 1010
IECEX Certificate	IECEX IBE 13.0028x

### Norm references:



Creator: T. Dvoulety /PDP Released: DAMU1/PDP	Document: DB52104580EN Version: 04	Page 1 of 2
--	---------------------------------------	-------------

52104580	<b>DATA SHEET</b>	
Valid from: 03.07.2018	<b>SKINDICHT® ME-M ATEX</b>	



External thread M1	Internal thread M2	SW [mm]	Ø A [mm]	Ø B [mm]	C [mm]	D [mm]	G [mm]	Article No.
12x1.5	16x1.5	18	20	8,5	17	5	8	52104580
16x1.5	20x1.5	22	24	12	20	6	9	52104581
20x1.5	25x1.5	27	30	15	22,5	6.5	10	52104582
25x1.5	32x1.5	34	37,7	20	21,5	6.5	10.5	52104583
32x1.5	40x1.5	42	46	26	23	7	10.5	52104584
40x1.5	50x1.5	54	59	34	26	8	12	52104585
50x1.5	63x1.5	67	73	43.5	32	9	16.5	52104586

For more information please see our current catalogue. Please do not hesitate to contact our laboratory if there are any questions regarding resistance against aggressive agents and special oil.

Creator: T. Dvoulety /PDP Released: DAMU1/PDP	Document: DB52104580EN Version: 04	Page 2 of 2
--	---------------------------------------	-------------