



## INTERRUTTORI MAGNETOTERMICI DIFFERENZIALI SERIE KZS

### Caratteristiche generali:

- Interruttori magnetotermici differenziali serie KZS;
- Corrente nominale: fino a 40A;
- Differenziali di classe AC (sensibili a correnti alternate sinusoidali) e classe A (sensibili anche a correnti unidirezionali pulsanti);
- Sensibilità differenziali: 30mA;
- Norme di riferimento: IEC EN 61009;
- Tensione di isolamento: 230V - 400V
- Sezione terminali: 1 – 25 mm<sup>2</sup>;

## RESIDUAL CURR. CIRCUIT BREAKERS WITH OVERCURRENT PROTECTION SERIES KZS

### General characteristics:

- Residual current circuit breakers with overcurrent protection series KZS;
- Rated current: up to 40A;
- Residual current circuit breakers of class AC (sensible to pure AC currents) and class A (sensible also to unidirectional pulsating current);
- Residual current sensitivity: 30mA;
- Reference standards: IEC EN 61009;
- Insulating voltage: 230V - 400V;
- Terminal capacity: 1 – 25 mm<sup>2</sup>;

### Foto dei prodotti / Products images



Pagine totali del documento: 7

Document total pages: 7

Ultimo aggiornamento: 30 Gennaio 2015

Last updated: 30th January 2015



## Modello 1P+N (2 moduli DIN)

## 1P+N version (2 DIN modules)

Codice Code	In (A)	Curva interr. MCB type	Classe diff. RCCB class	Sensibilità Residual current	Conf. pack.
2173201	6	B	A	30mA	1 / 6
2173202	10	B	A	30mA	1 / 6
2173203	13	B	A	30mA	1 / 6
2173204	16	B	A	30mA	1 / 6
2173205	20	B	A	30mA	1 / 6
2173206	25	B	A	30mA	1 / 6
2173207	32	B	A	30mA	1 / 6
2173208	40	B	A	30mA	1 / 6
2173221	6	C	A	30mA	1 / 6
2173222	10	C	A	30mA	1 / 6
2173223	13	C	A	30mA	1 / 6
2173224	16	C	A	30mA	1 / 6
2173225	20	C	A	30mA	1 / 6
2173226	25	C	A	30mA	1 / 6
2173227	32	C	A	30mA	1 / 6
2173228	40	C	A	30mA	1 / 6
2173101	6	B	AC	30mA	1 / 6
2173102	10	B	AC	30mA	1 / 6
2173103	13	B	AC	30mA	1 / 6
2173104	16	B	AC	30mA	1 / 6
2173105	20	B	AC	30mA	1 / 6
2173106	25	B	AC	30mA	1 / 6
2173107	32	B	AC	30mA	1 / 6
2173108	40	B	AC	30mA	1 / 6
2173121	6	C	AC	30mA	1 / 6
2173122	10	C	AC	30mA	1 / 6
2173123	13	C	AC	30mA	1 / 6
2173124	16	C	AC	30mA	1 / 6
2173125	20	C	AC	30mA	1 / 6
2173126	25	C	AC	30mA	1 / 6
2173127	32	C	AC	30mA	1 / 6
2173128	40	C	AC	30mA	1 / 6



Codice Code	In (A)	Curva interr. MCB type	Classe diff. RCCB class	Sensibilità Residual current	Conf. pack.
2173301	6	B	AC	30mA	1 / 6
2173302	10	B	AC	30mA	1 / 6
2173303	13	B	AC	30mA	1 / 6
2173304	16	B	AC	30mA	1 / 6
2173305	20	B	AC	30mA	1 / 6
2173306	25	B	AC	30mA	1 / 6
2173307	32	B	AC	30mA	1 / 6
2173308	40	B	AC	30mA	1 / 6
2173321	6	C	AC	30mA	1 / 6
2173322	10	C	AC	30mA	1 / 6
2173323	13	C	AC	30mA	1 / 6
2173324	16	C	AC	30mA	1 / 6
2173325	20	C	AC	30mA	1 / 6
2173326	25	C	AC	30mA	1 / 6
2173327	32	C	AC	30mA	1 / 6
2173328	40	C	AC	30mA	1 / 6

## Modello 2P (2 moduli DIN)

## 1P+N version (2 DIN modules)

Codice Code	In (A)	Curva interr. MCB type	Classe diff. RCCB class	Sensibilità Residual current	Conf. pack.
2172501	6	B	A	30mA	1 / 6
2172502	10	B	A	30mA	1 / 6
2172503	13	B	A	30mA	1 / 6
2172505	16	B	A	30mA	1 / 6
2172506	20	B	A	30mA	1 / 6
2172507	25	B	A	30mA	1 / 6
2172521	6	C	A	30mA	1 / 6
2172522	10	C	A	30mA	1 / 6
2172523	13	C	A	30mA	1 / 6
2172525	16	C	A	30mA	1 / 6
2172526	20	C	A	30mA	1 / 6
2172527	25	C	A	30mA	1 / 6



## Modello 3P (4 moduli DIN)

## 3P version (4 DIN modules)

Codice Code	In (A)	Curva interr. MCB type	Classe diff. RCCB class	Sensibilità Residual current	Conf. pack.
2174701	6	B	A	30mA	1 / 4
2174702	10	B	A	30mA	1 / 4
2174704	16	B	A	30mA	1 / 4
2174705	20	B	A	30mA	1 / 4
2174706	25	B	A	30mA	1 / 4
2174707	32	B	A	30mA	1 / 4
2174721	6	C	A	30mA	1 / 4
2174722	10	C	A	30mA	1 / 4
2174724	16	C	A	30mA	1 / 4
2174725	20	C	A	30mA	1 / 4
2174726	25	C	A	30mA	1 / 4
2174727	32	C	A	30mA	1 / 4
2174801	6	B	AC	30mA	1 / 4
2174802	10	B	AC	30mA	1 / 4
2174804	16	B	AC	30mA	1 / 4
2174805	20	B	AC	30mA	1 / 4
2174806	25	B	AC	30mA	1 / 4
2174807	32	B	AC	30mA	1 / 4
2174821	6	C	AC	30mA	1 / 4
2174822	10	C	AC	30mA	1 / 4
2174824	16	C	AC	30mA	1 / 4
2174825	20	C	AC	30mA	1 / 4
2174826	25	C	AC	30mA	1 / 4
2174827	32	C	AC	30mA	1 / 4



## Modello 3P+N (4 moduli DIN)

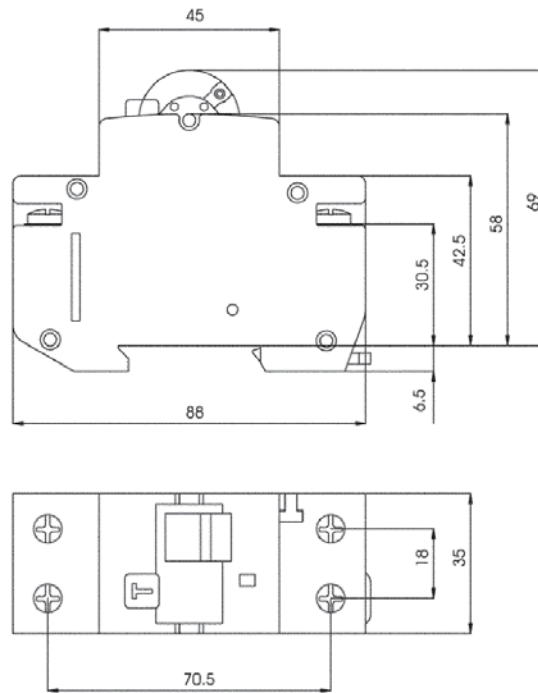
## 3P+N version (4 DIN modules)

Codice Code	In (A)	Curva interr. MCB type	Classe diff. RCCB class	Sensibilità Residual current	Conf. pack.
2174901	6	B	A	30mA	1 / 4
2174902	10	B	A	30mA	1 / 4
2174904	16	B	A	30mA	1 / 4
2174905	20	B	A	30mA	1 / 4
2174906	25	B	A	30mA	1 / 4
2174907	32	B	A	30mA	1 / 4
2174921	6	C	A	30mA	1 / 4
2174922	10	C	A	30mA	1 / 4
2174924	16	C	A	30mA	1 / 4
2174925	20	C	A	30mA	1 / 4
2174926	25	C	A	30mA	1 / 4
2174927	32	C	A	30mA	1 / 4
2174001	6	B	AC	30mA	1 / 4
2174002	10	B	AC	30mA	1 / 4
2174004	16	B	AC	30mA	1 / 4
2174005	20	B	AC	30mA	1 / 4
2174006	25	B	AC	30mA	1 / 4
2174007	32	B	AC	30mA	1 / 4
2174021	6	C	AC	30mA	1 / 4
2174022	10	C	AC	30mA	1 / 4
2174024	16	C	AC	30mA	1 / 4
2174025	20	C	AC	30mA	1 / 4
2174026	25	C	AC	30mA	1 / 4
2174027	32	C	AC	30mA	1 / 4



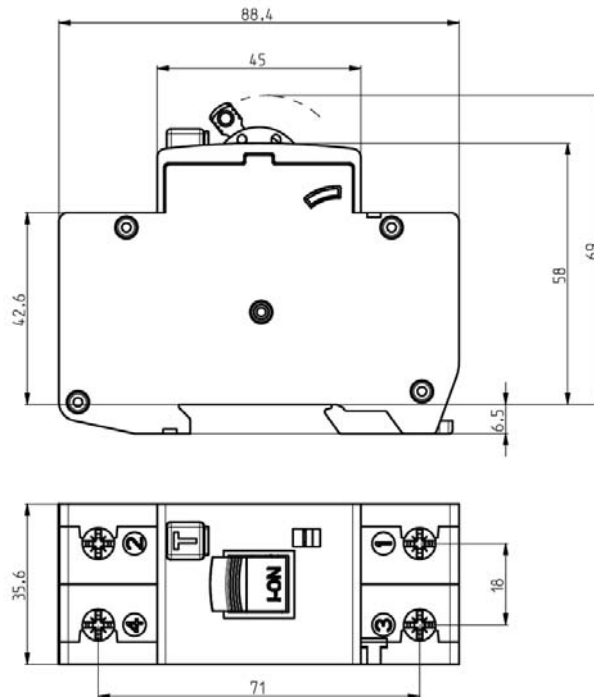
**Disegno KZS 1P+N (dimensioni in mm):**

**Drawing KZS 1P+N (dimensions in mm):**



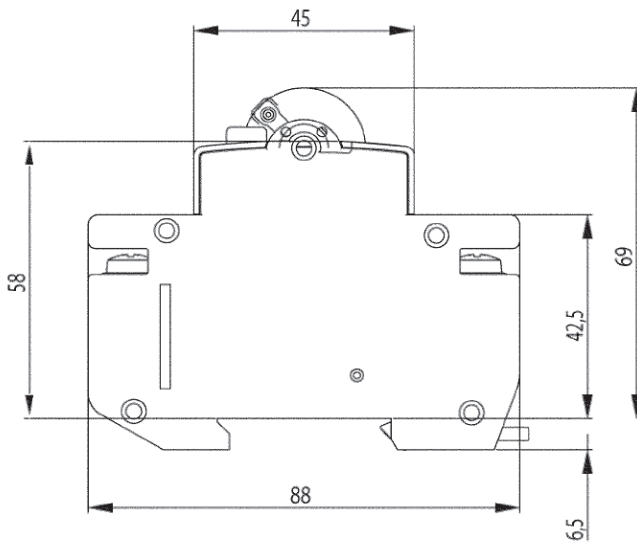
**Disegno KZS 2P (dimensioni in mm):**

**Drawing KZS 2P (dimensions in mm):**

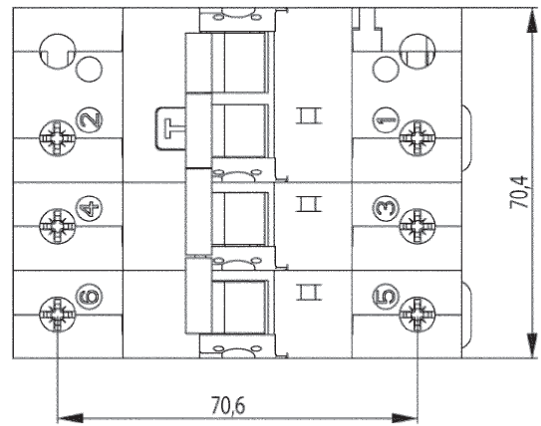




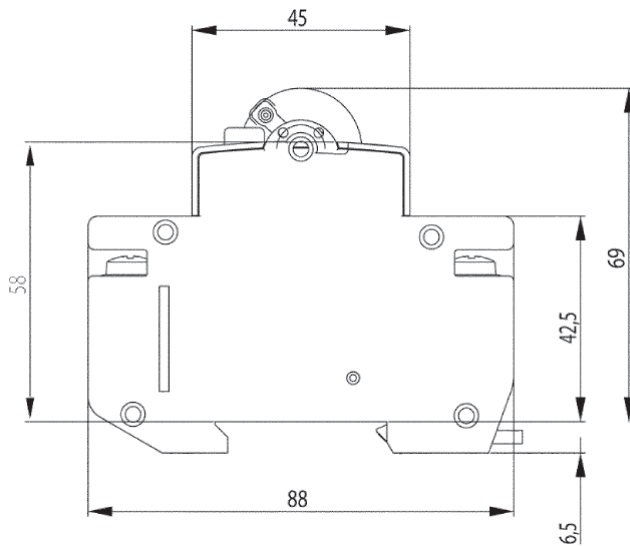
**Disegno KZS 3P (dimensioni in mm):**



**Drawing KZS 3P (dimensions in mm):**



**Disegno KZS 3P+N (dimensioni in mm):**



**Drawing KZS 3P+N (dimensions in mm):**

