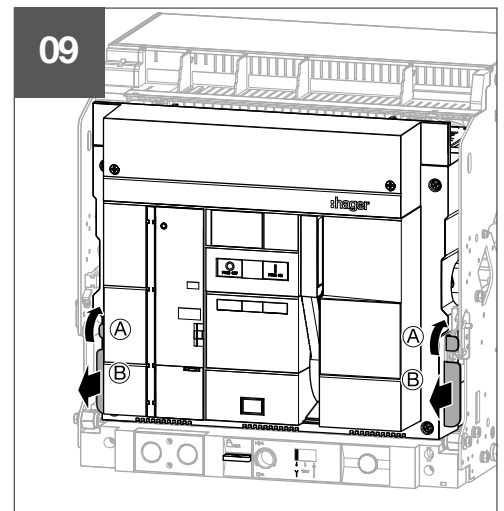
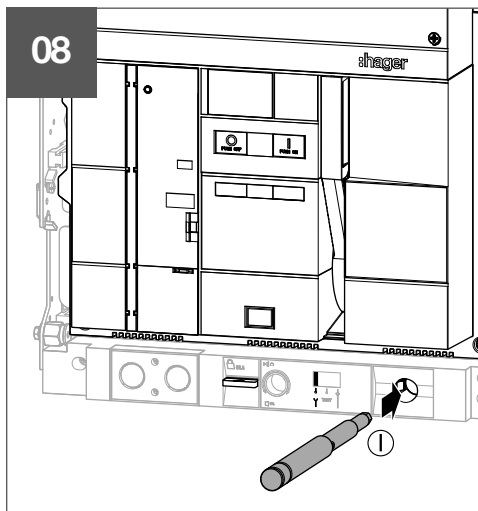
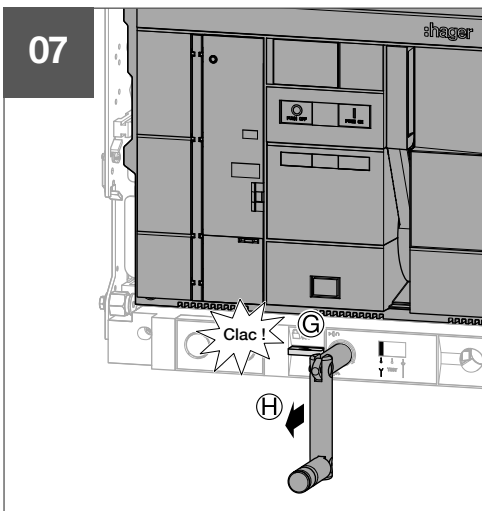
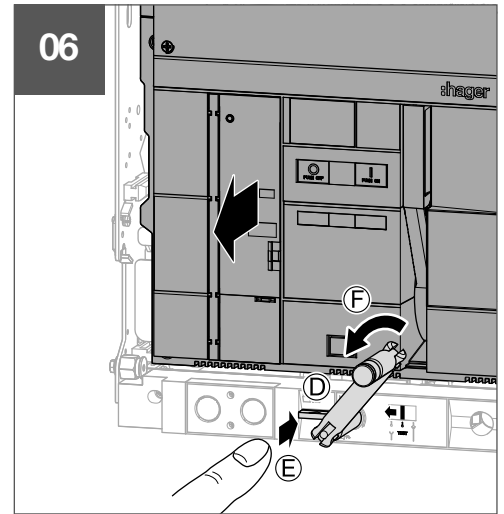
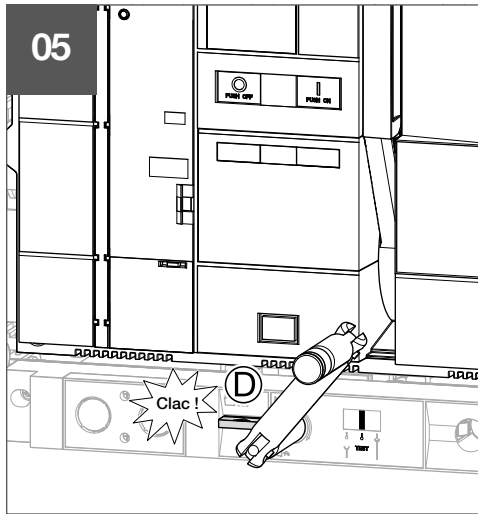
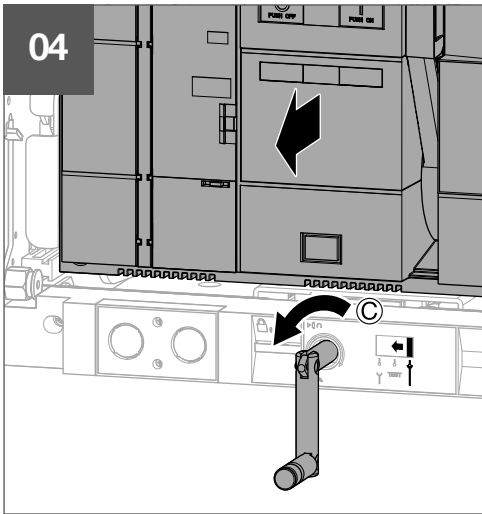
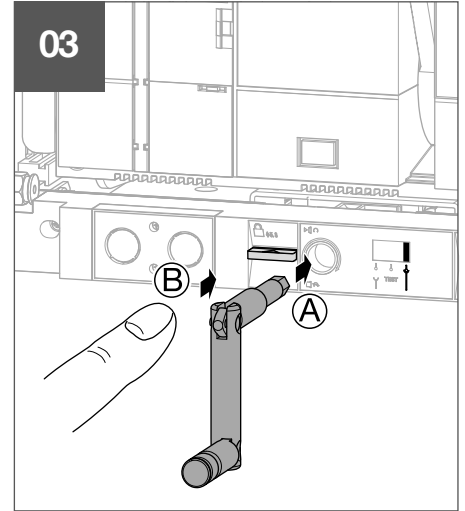
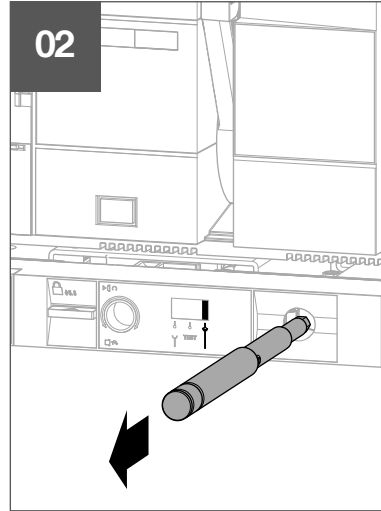
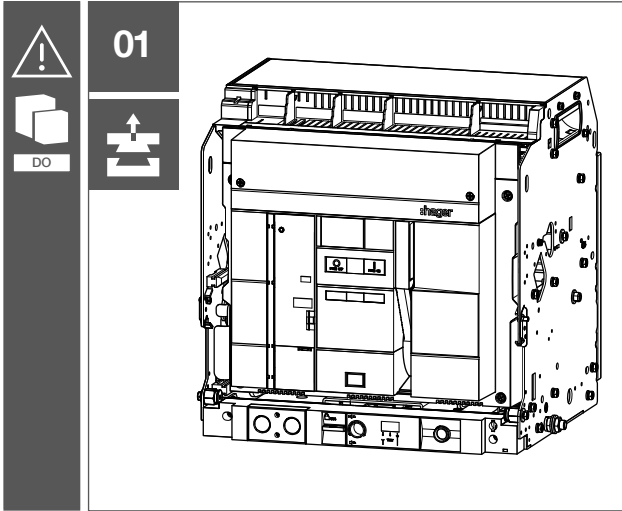
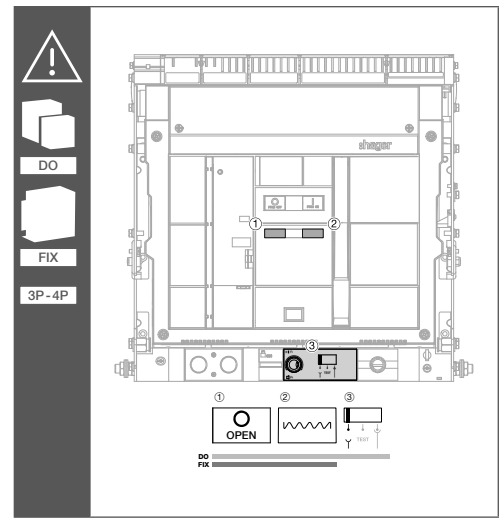
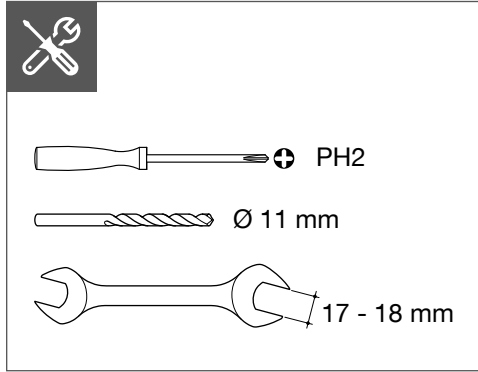
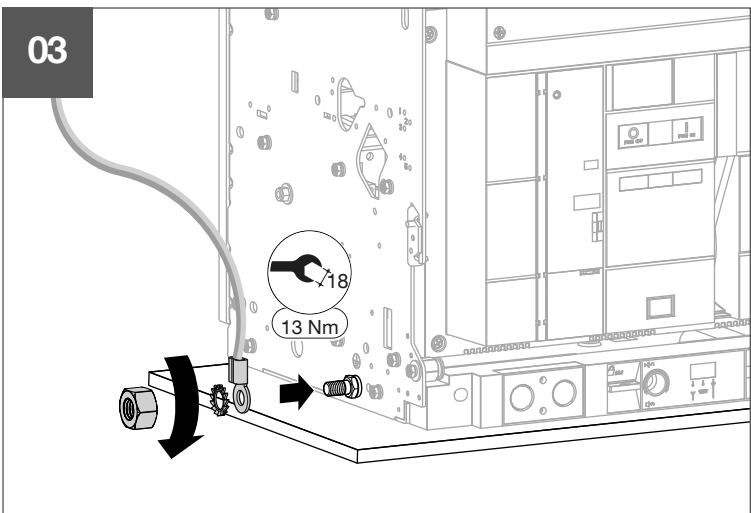
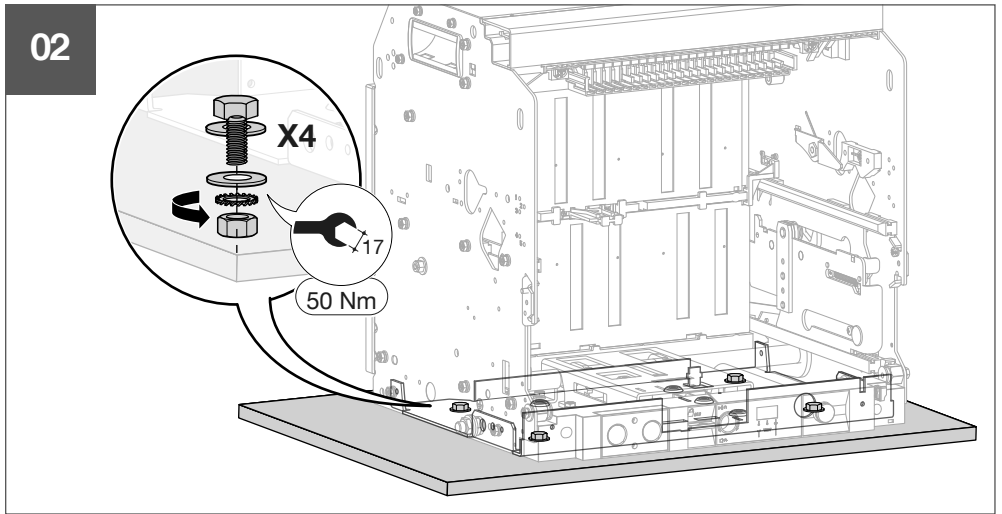
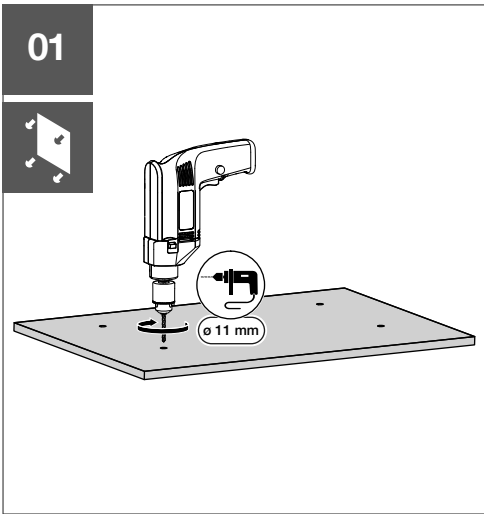
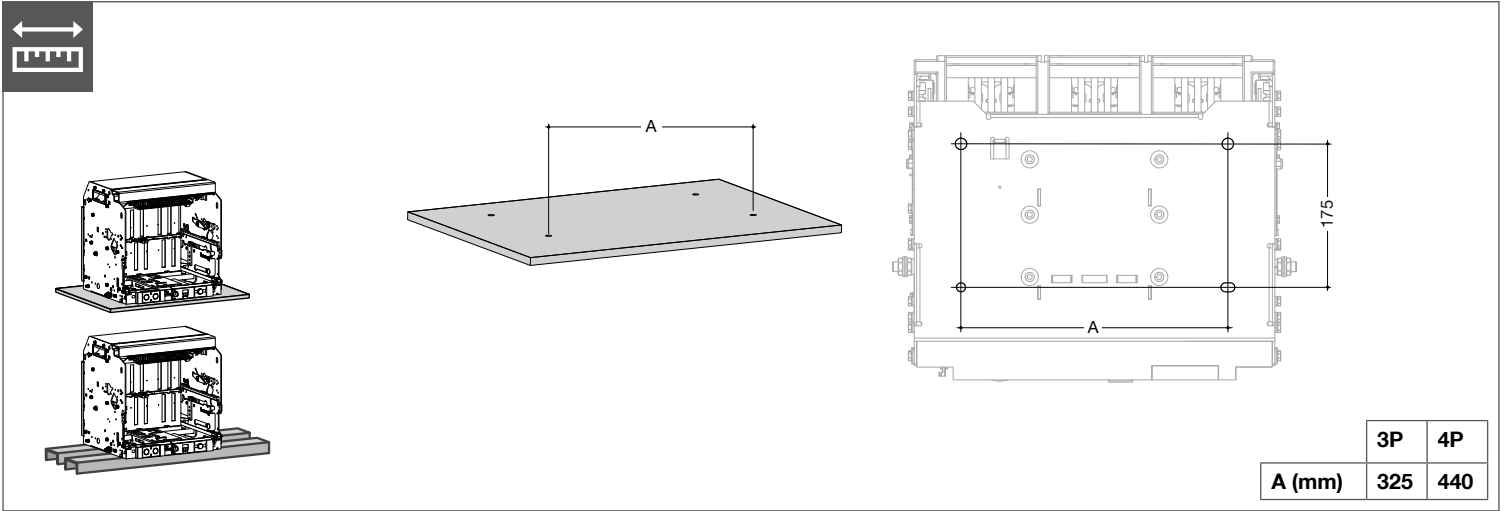
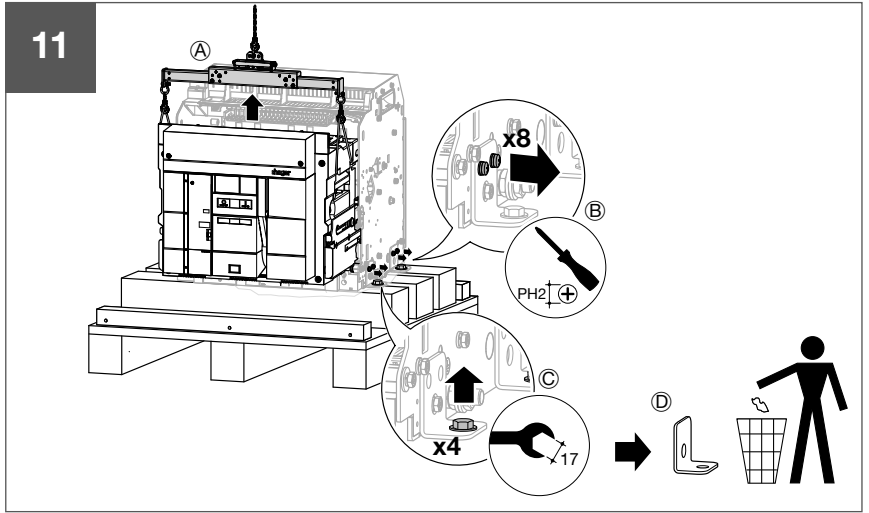
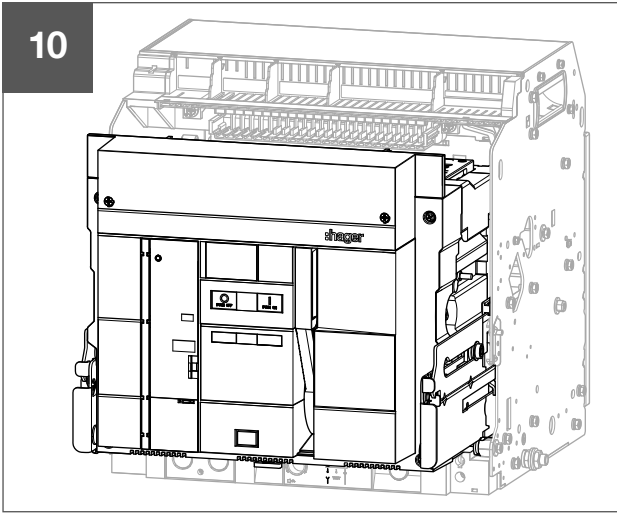
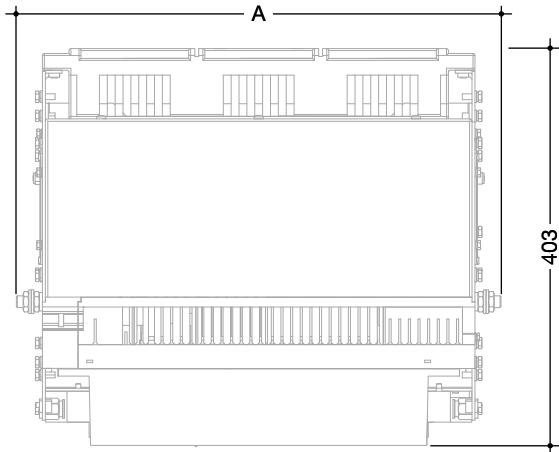
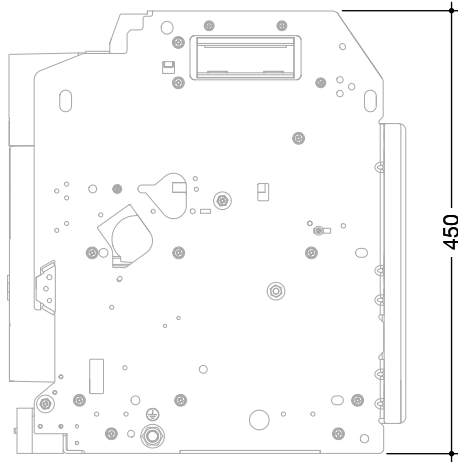
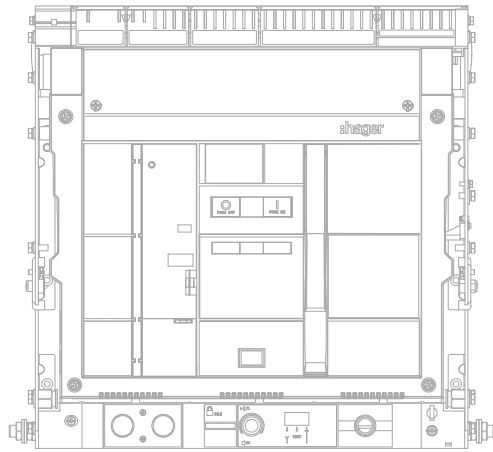


HW4



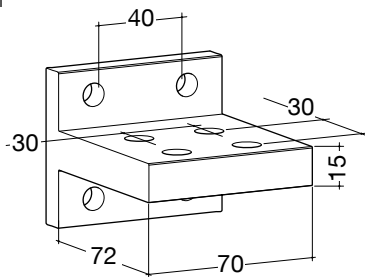




	3P	4P
A (mm)	493	619

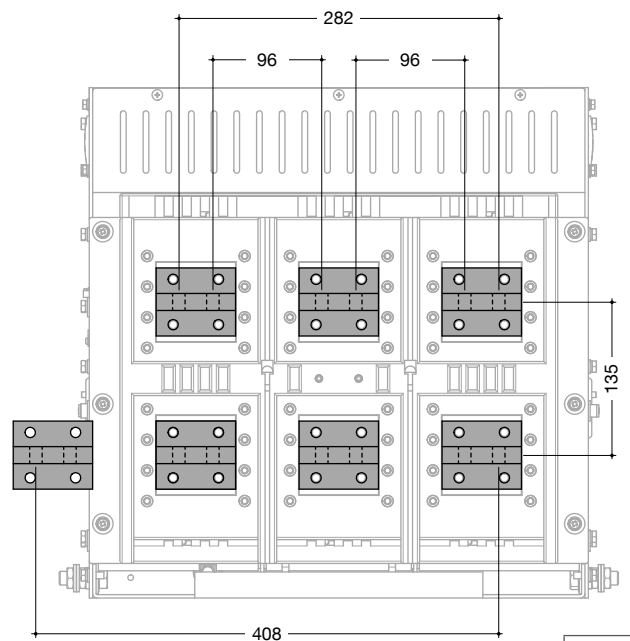
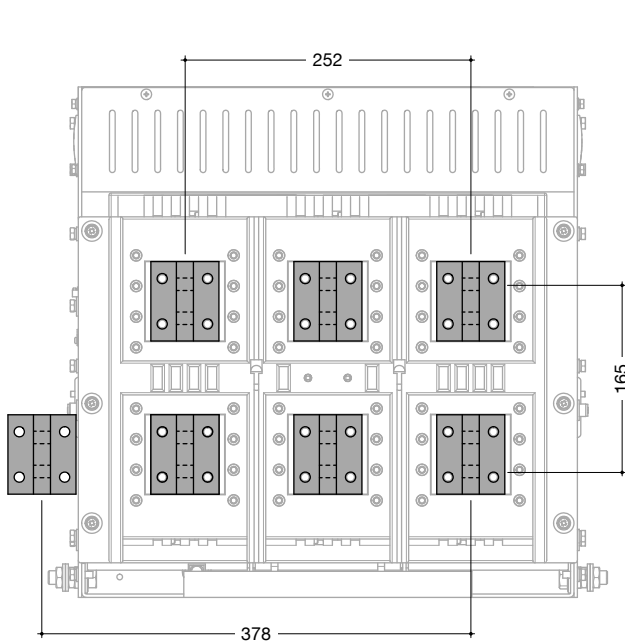


HWY068HSA - HWY068H (1000 - 2500 A 3P)  
 HWY069HSA - HWY069H (1000 - 2500 A 4P)



3P

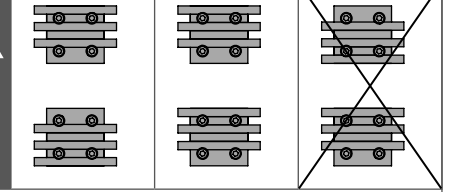
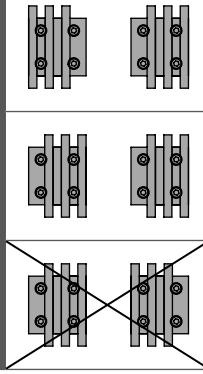
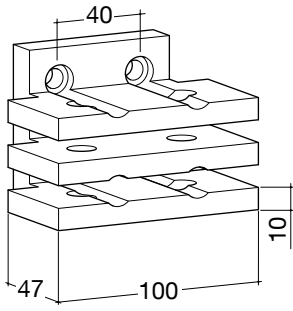
4P



(mm)

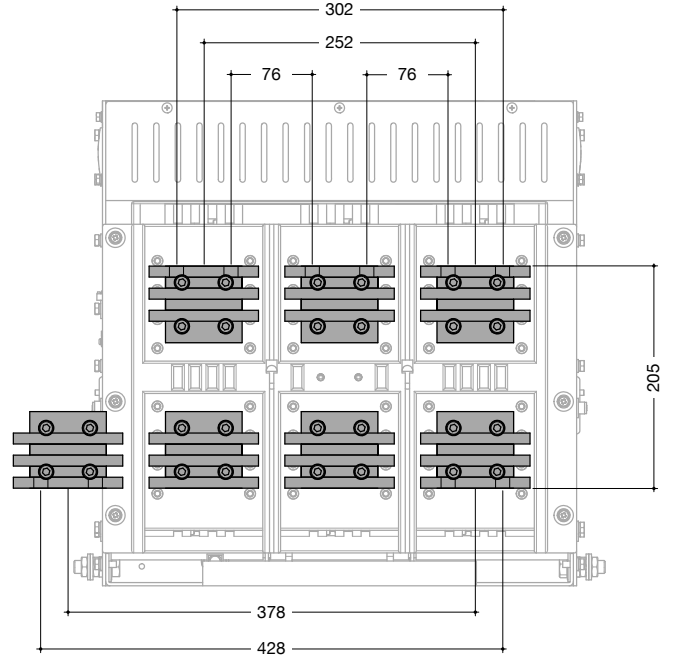
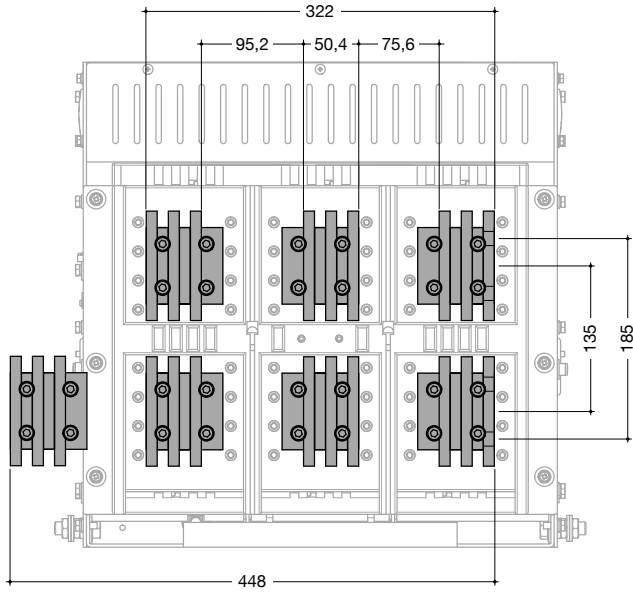


HWY168HSA - HWY168H (3200 - 4000 A 3P)  
HWY169HSA - HWY169H (3200 - 4000 A 4P)

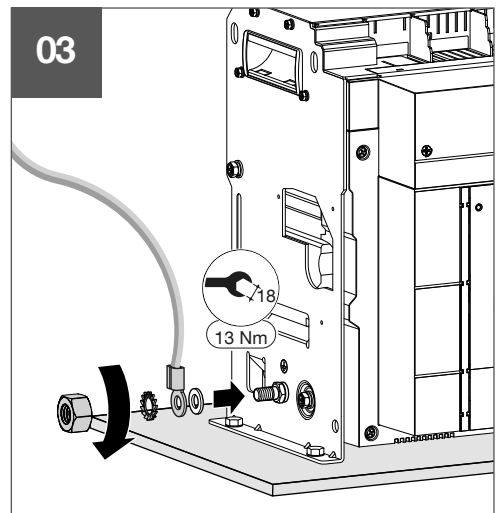
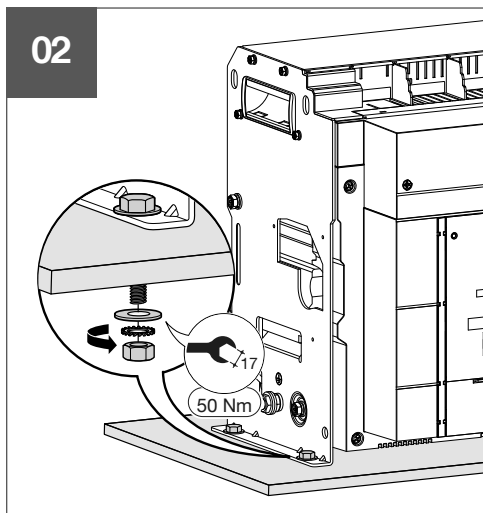
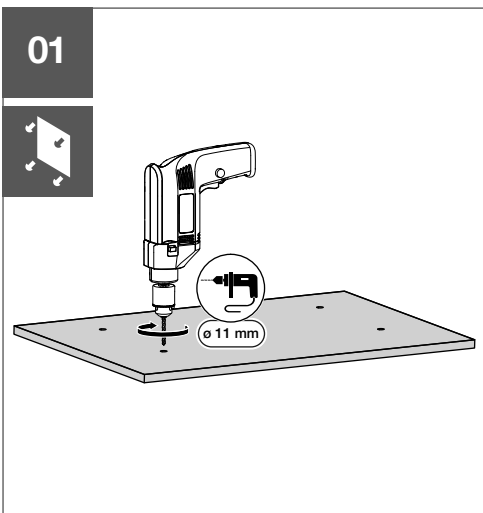
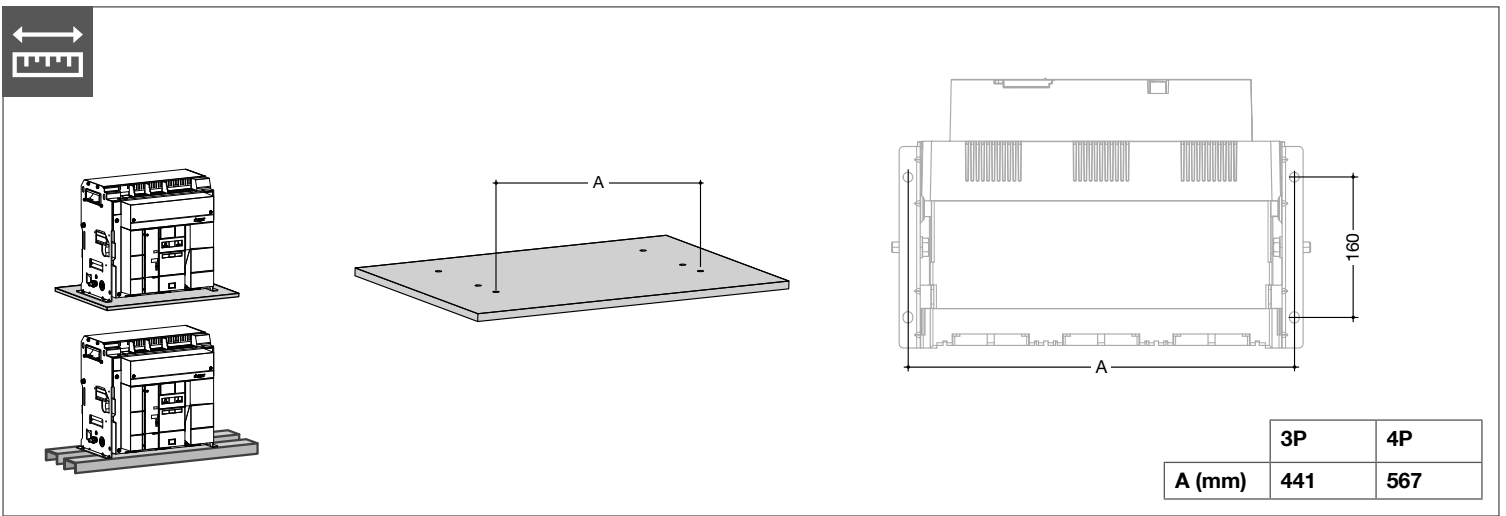
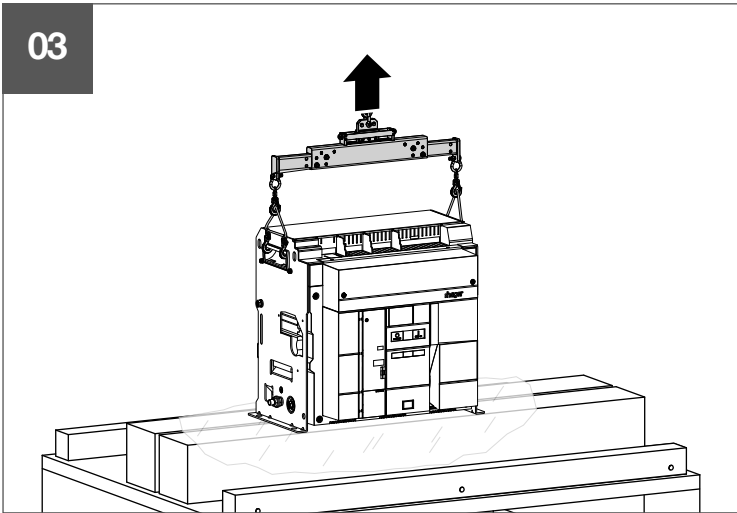
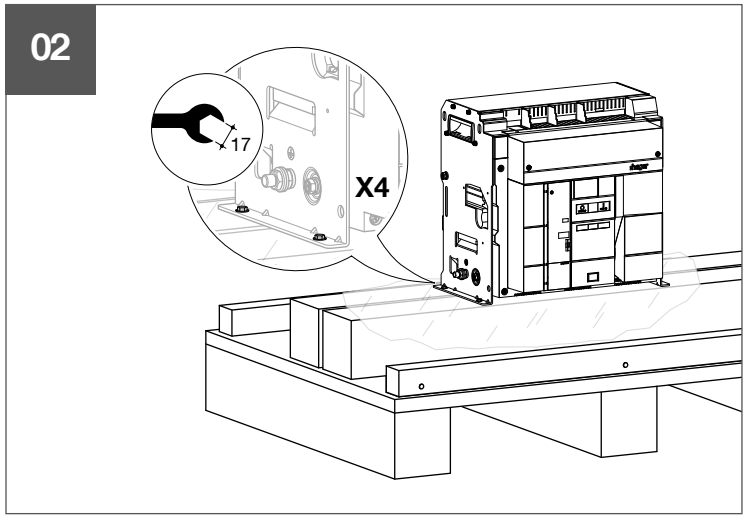
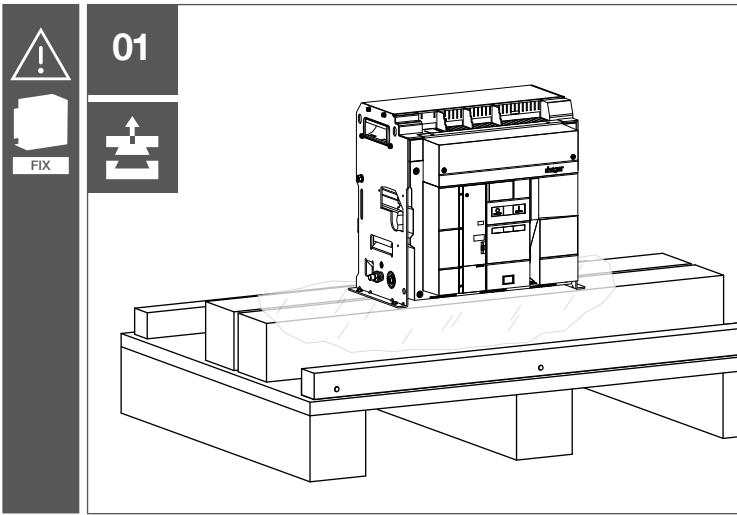


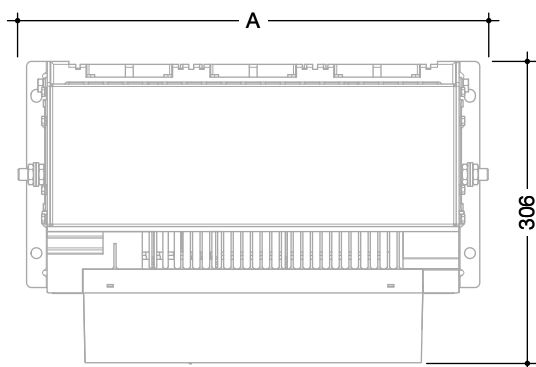
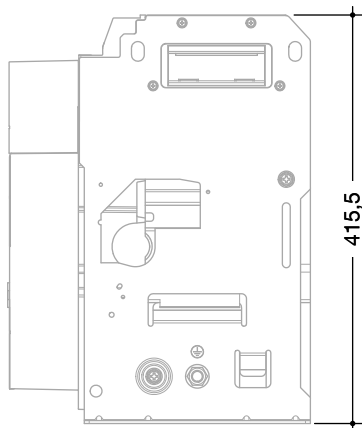
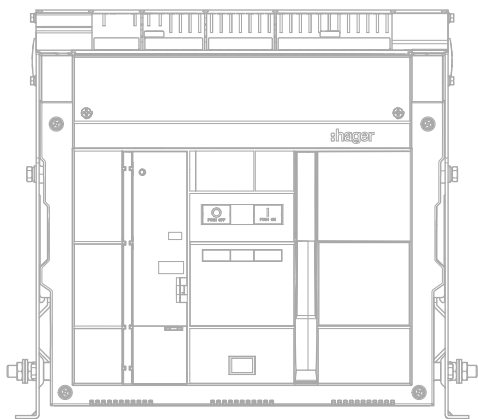
3P

4P



(mm)

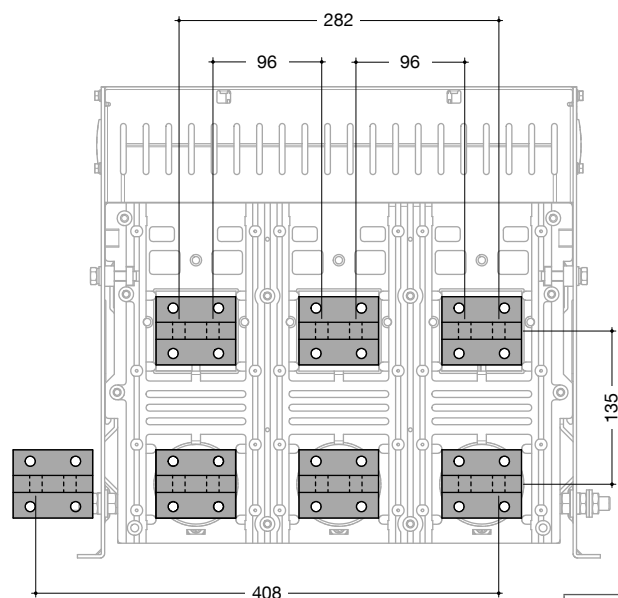
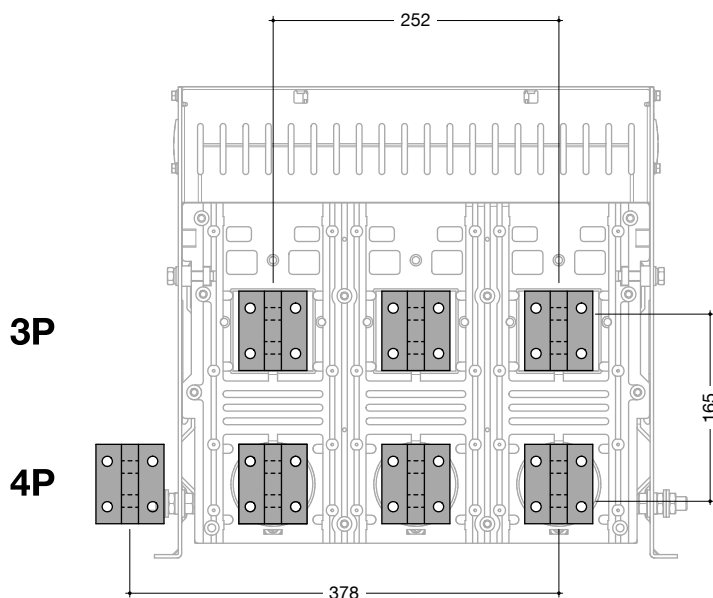
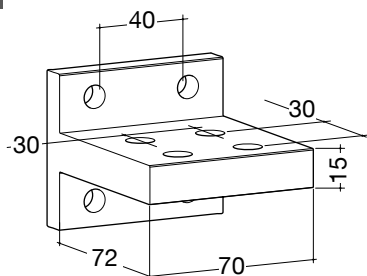




	3P	4P
A (mm)	478	604



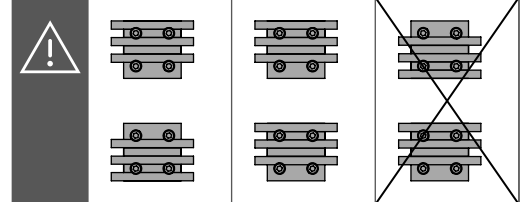
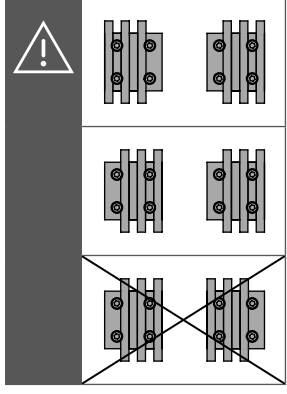
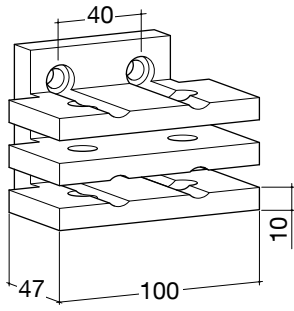
HWY068HSA - HWY068H (1000 - 2500 A 3P)  
 HWY069HSA - HWY069H (1000 - 2500 A 4P)



(mm)

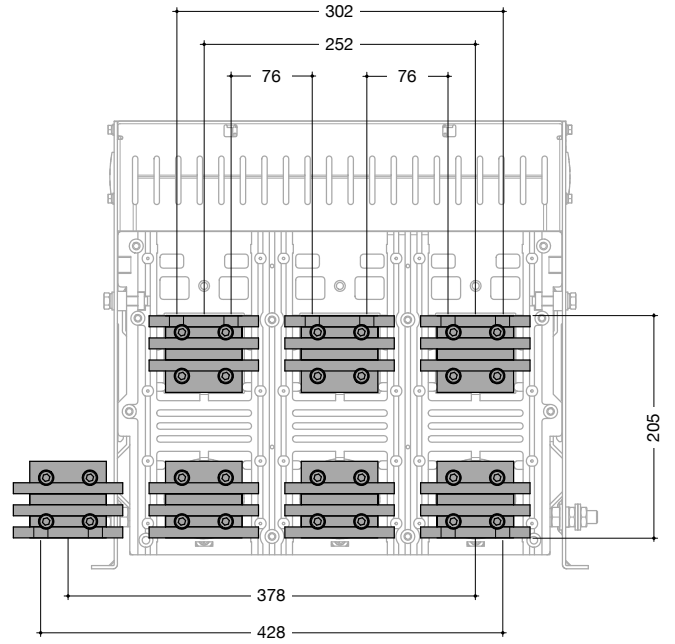
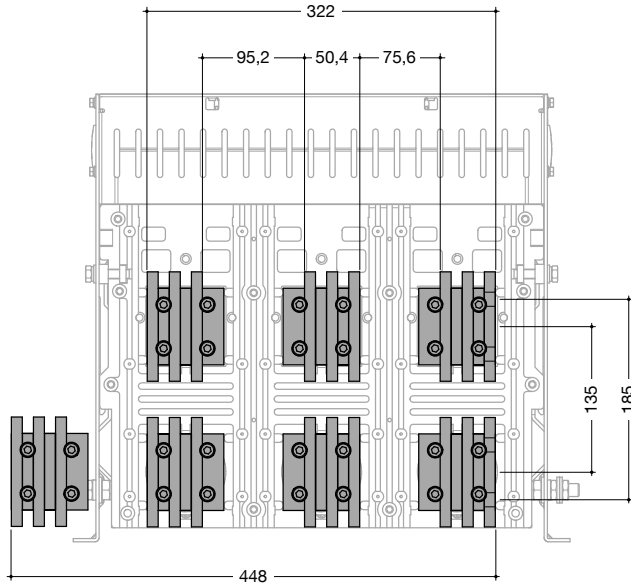


HWY168HSA - HWY168H (3200 - 4000 A 3P)  
 HWY169HSA - HWY169H (3200 - 4000 A 4P)



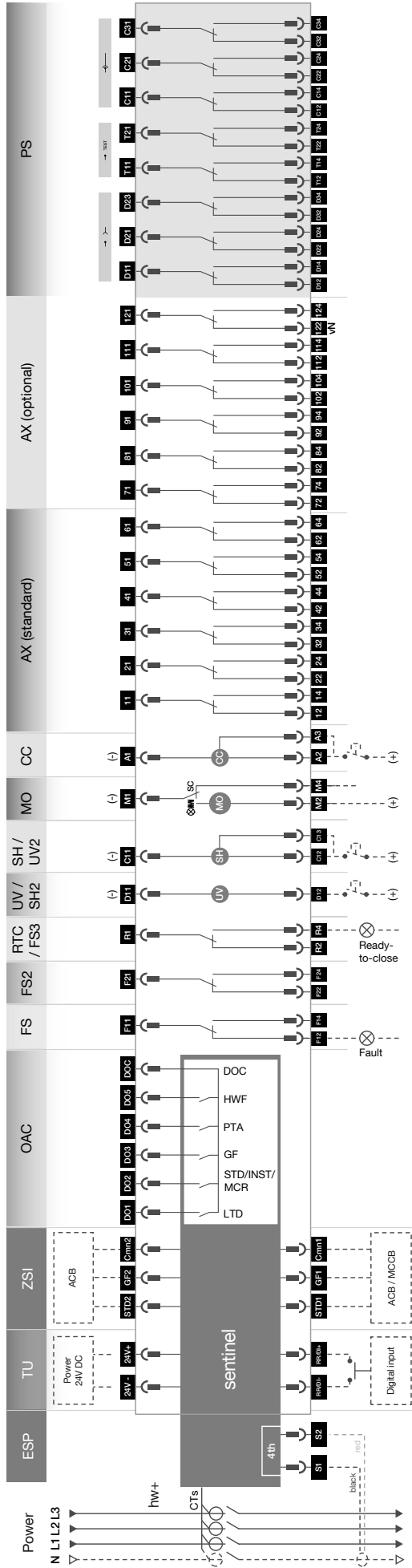
3P

4P



(mm)

DO



FIX

