

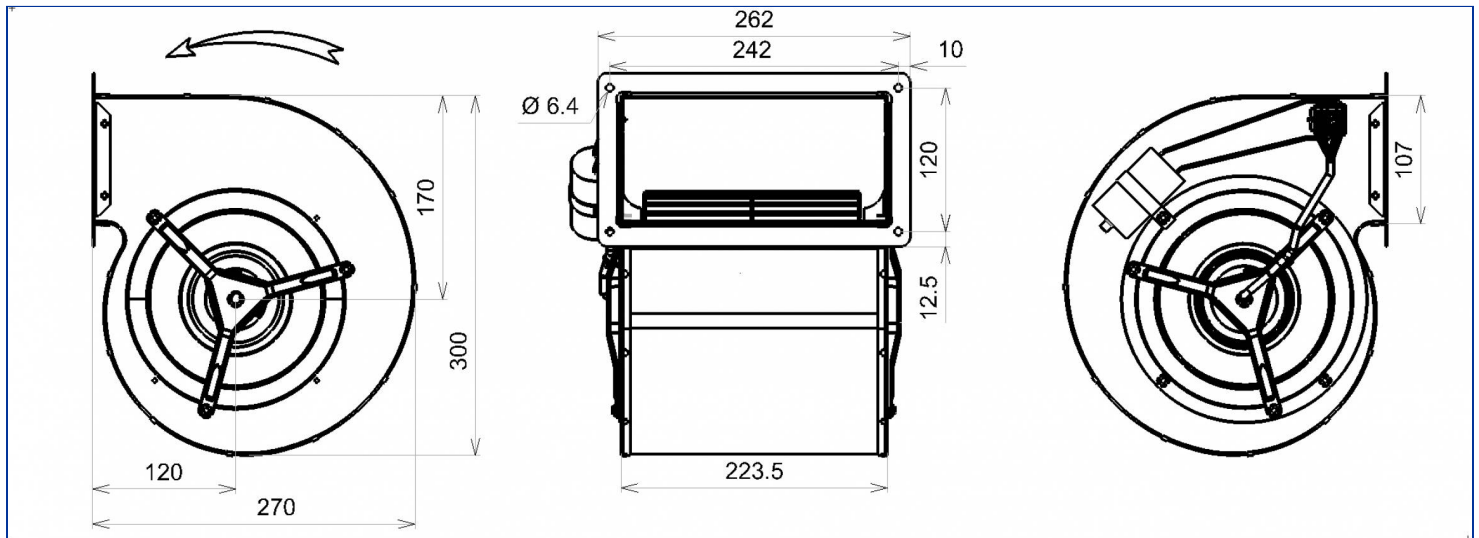


Designation **4GDF65 180x180L**

Range Double inlet centrifugal fans with single phase asynchronous motor

ELECTRICAL DATA

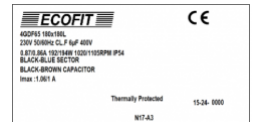
Speed	SGV	SGV
Tension (V)	230	230
Frequency (Hz)	50	60
Current (A)	0.87	0.86
Maximum current (A)	1.06	1.00
Power (W)	192	194
Maximum power (W)	192	194
Rotation (RPM)	1020	1105
Cos Φ	0.960	0.981
Temperature min/max (°C)	-20/+60	-20/+60
Capacitor (µF)	6.00	6.00
U_condo (V)	400	400



MARKING & STANDARDS

Conformity

- CE



The product is manufactured in accordance with EN 60335-1, and RoHS directive 2015/863/CE  
IP class according to EN 60034-5 to be checked with operation and installation

Issued: 2024-04-11 at 09:09 Documentations and pictures are non contractual, all the data of the technical file and the drawing are subject to change.

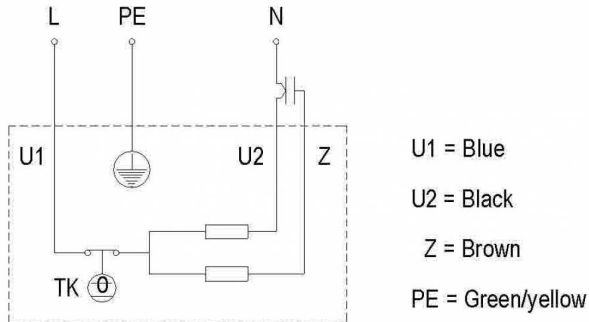
EN - Page 1 / 4

TECHNICAL DATA

Description

- Weight: 7.20 kg
- Without Condensat Drain Holes
- Class F
- Protection level: 54 | Protection against ingress of dust / Protection against ingress of water : splashing
- Motor's protection T150° C Automatic reset
- Bearing type: 2 ball bearings 6000ZZ
- Balance level: G2.5

Wiring diagram



Finishes

- Capacitor fixed on the scroll and wired to a WAGO Connector
- Galvanized scroll and frame



by



## ADDITIONAL DATA

### Optional accessories

- 19016 | Capacitor
- 21291 | Finger guard

### Documentations

- Operating and recycling manual  
<http://www.ecofit.com/anglais/normes>

### Measurement setup

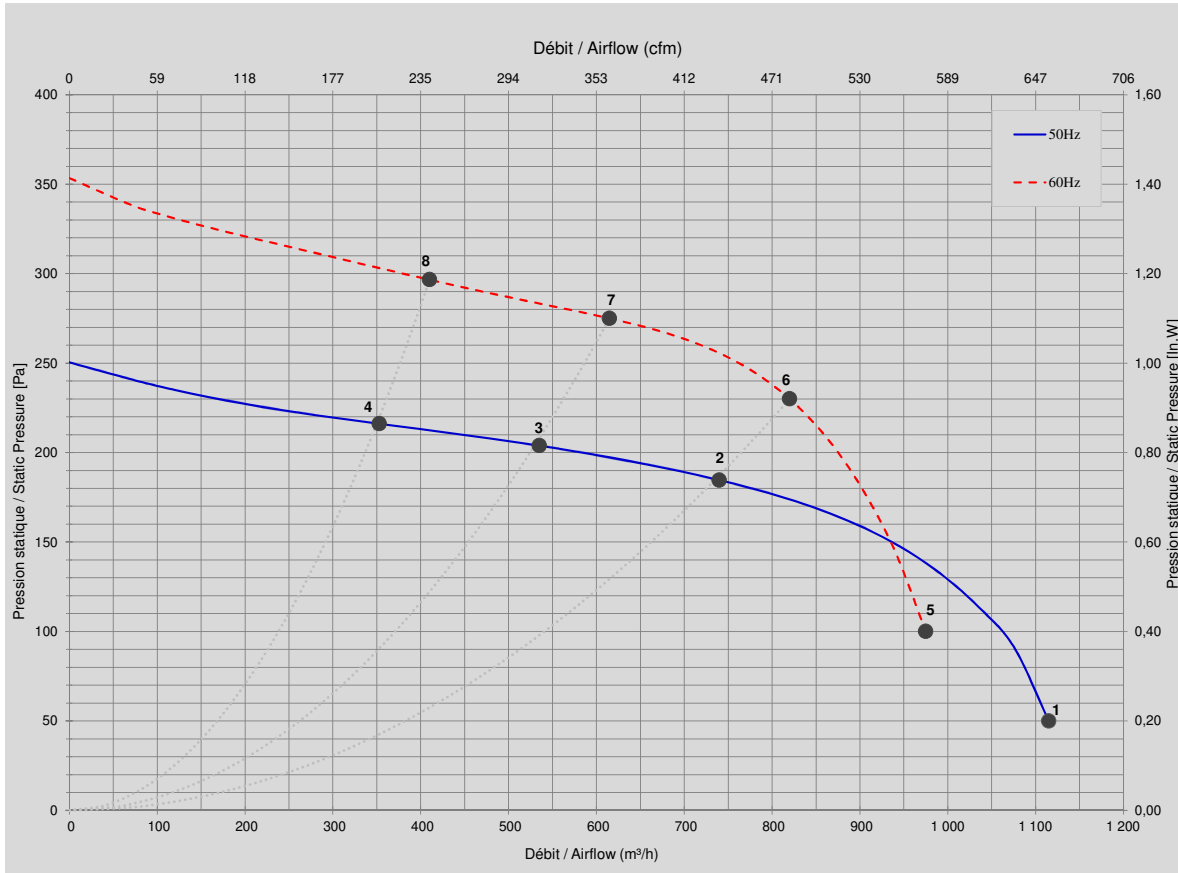
- Scroll 15175-c

## ERP DATA

ErP Directive ErP (EU 2009/125/EC) not applicable:

- Power at optimum energy efficiency point <125W

TECHNICAL DATA



Mesures / Measured Values \*

	Un (V)	F (Hz)	C (µF)	P (W)	n (RPM)	Q (m³/h)	P (Pa)	Q (cfm)	P (In.W)	Lp <sub>n</sub> (dBA)
1	230	50	6	192	1020	1 115	50	656	0,200	58,0
2	230	50	6	128	1306	740	185	436	0,740	56,0
3	230	50	6	110	1368	535	204	315	0,817	55,0
4	230	50	6	97	1398	353	216	208	0,866	55,0
5	230	60	6	194	1105	975	100	574	0,401	57,0
6	230	60	6	169	1447	820	230	483	0,921	59,0
7	230	60	6	144	1570	615	275	362	1,102	59,0
8	230	60	6	125	1637	410	297	241	1,188	59,0

\* Air performance measured according to: ISO 5801, installation category C.  
Intake-side sound level: according to ISO 3744, LpA measured at 1 m distance from fan axis. The values given are only applicable under the specified measuring conditions and may differ depending on the installation conditions. In the event of deviation

The product is manufactured in accordance with EN 60335-1, and RoHS directive 2015/863/CE  
IP class according to EN 60034-5 to be checked with operation and installation