



4GDS35 160x160L

Z18-24 p



**DATA SHEET**

release. f - Revision 01-2018

Voltage	Frequency	Input Power	Input Current	Capacitor	Airflow	Rotation speed	Acoustic level	Direction rotation	Admissible Temperature
V	Hz	W	A	µF	m³/h	RPM	dB(A)		Min/Max
230	50	110	0,48	3,0	830	1085		L	-20°C / +70°C
230	60	136	0,6	3,0	850	1120		L	-20°C / +70°C
230	50				488 CFM				-4°F / 158°F
230	60				500 CFM				-4°F / 158°F



dB(A) : free blowing

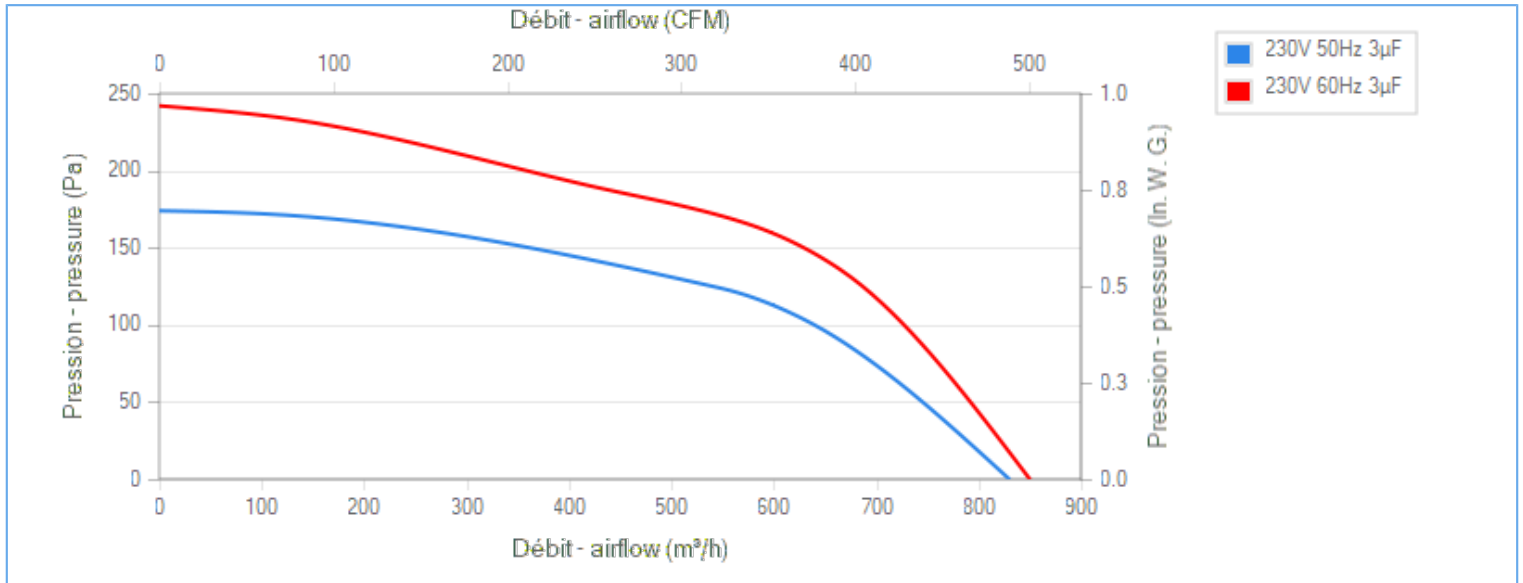
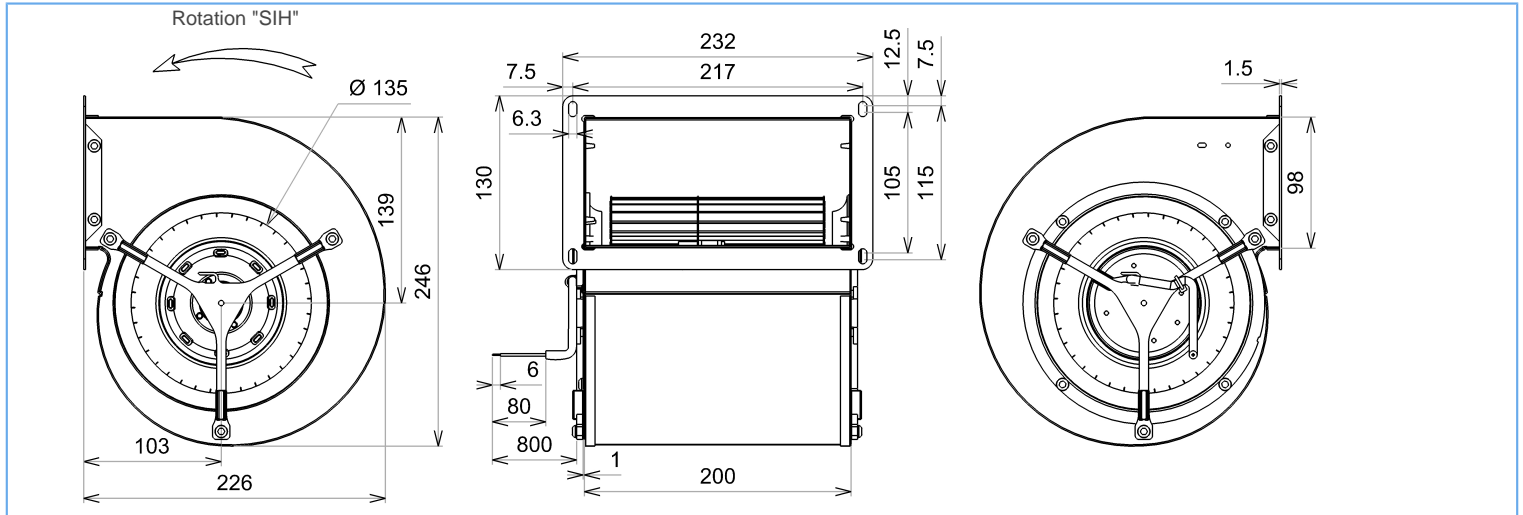
NA : not applicable

ErP 2013

NA

ErP 2015

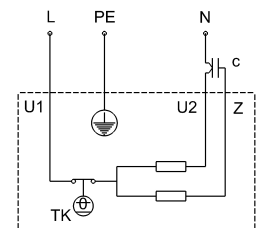
NA



**Description**

- .Poids : 4,6 Kg
- .Roulements à billes
- .Classe F avec protecteur thermique
- .Protection IP44 selon EN60034-5 à vérifier selon position et installation
- .Equilibrage G2.5
- .Volute peinte en noir
- .Turbine tôle galvanisée

U1 = Bleu  
 U2 = Noir  
 Z = Brun  
 PE = Vert/jaune



Non contractual document. All specifications are subject to change without prior notice. Picture for information only.



4GDS35 160x160L

Z18-24 p



# DATA SHEET

release. f - Revision 01-2018

## Data in accordance to ErP directive

Voltage	230	V
Frequency	50	Hz
Power	0,090	kW <sup>(1)</sup>
Airflow	547	m <sup>3</sup> /h <sup>(1)</sup>
Pressure	124	Pa <sup>(1)</sup>
Rotation speed	1292	RPM <sup>(1)</sup>

(1) at optimal efficiency point

Directive ErP (EU 2009/125/EC) non applicable : puissance au point de rendement optimal

## Accessories

- 19012
- 19012
- 21325
- 19147

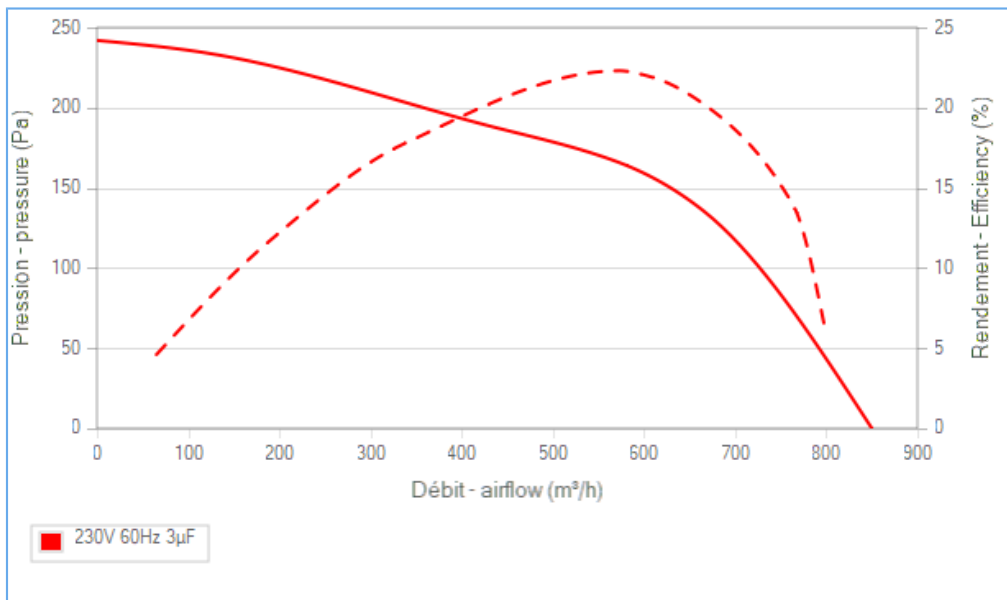
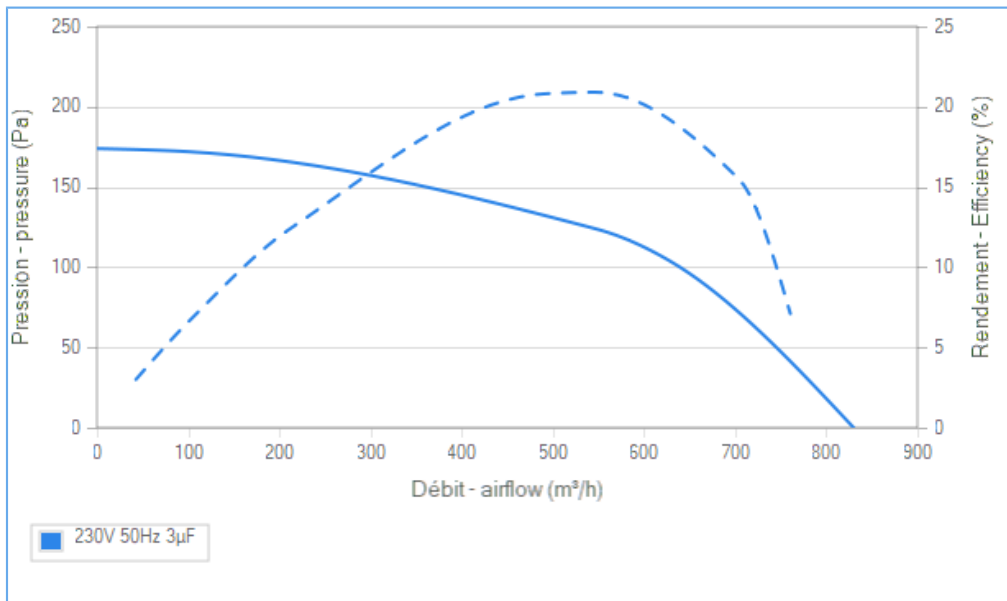
## Measurement setup

Contacteur ECOFIT

## Documents

Manuel d'utilisation  
[www.ecofit.com/site/normes](http://www.ecofit.com/site/normes)

Operating and recycling manual  
[www.ecofit.com/anglais/normes](http://www.ecofit.com/anglais/normes)



Non contractual document. All specifications are subject to change without prior notice. Picture for information only.