



2TRE15 133x49R

Q10-22 p



DATA SHEET

release. g - Revision 07-2016

Voltage	Frequency	Input Power	Input Current	Capacitor	Airflow	Rotation speed	Acoustic level	Direction rotation	Admissible Temperature
V	Hz	W	A	µF	m³/h	RPM	dBA	↻	Min/Max
230	50	73	0,32	2,0	240	2015	57	R	-20°C / +70°C
230	60	89	0,39	2,0	240	1980	56	R	-20°C / +70°C
230	50				141 CFM				-4°F / 158°F
230	60				141 CFM				-4°F / 158°F



dBa : free blowing

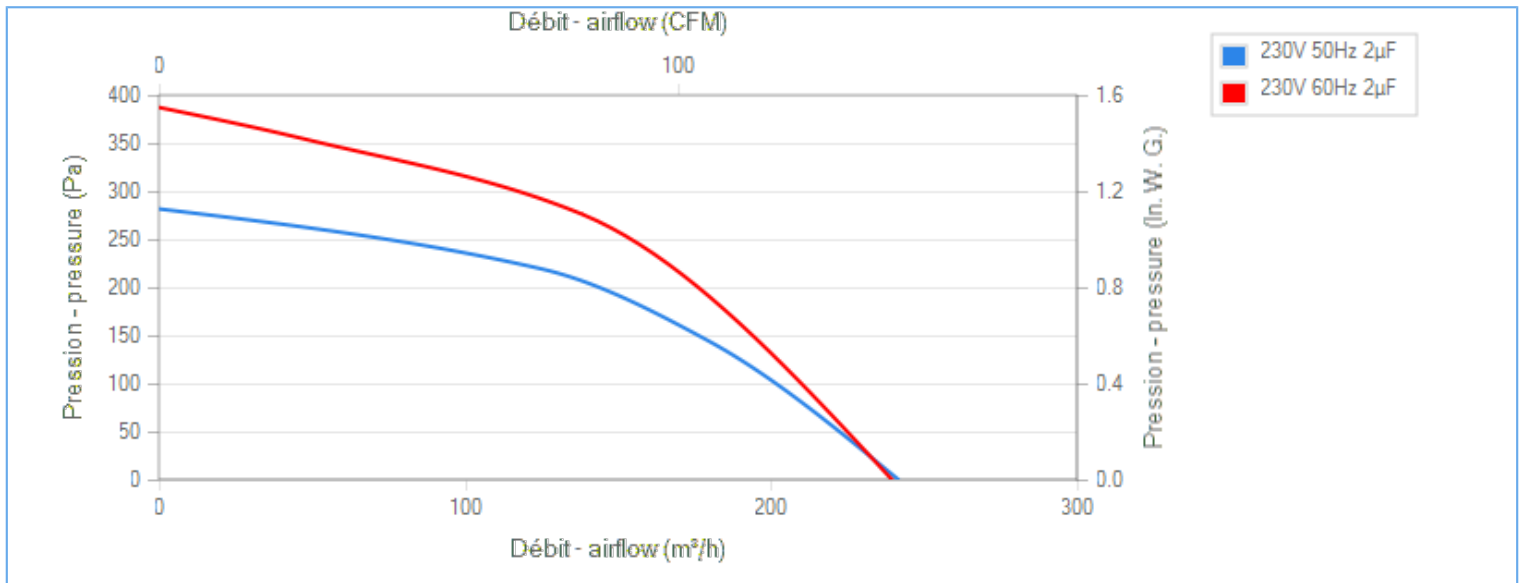
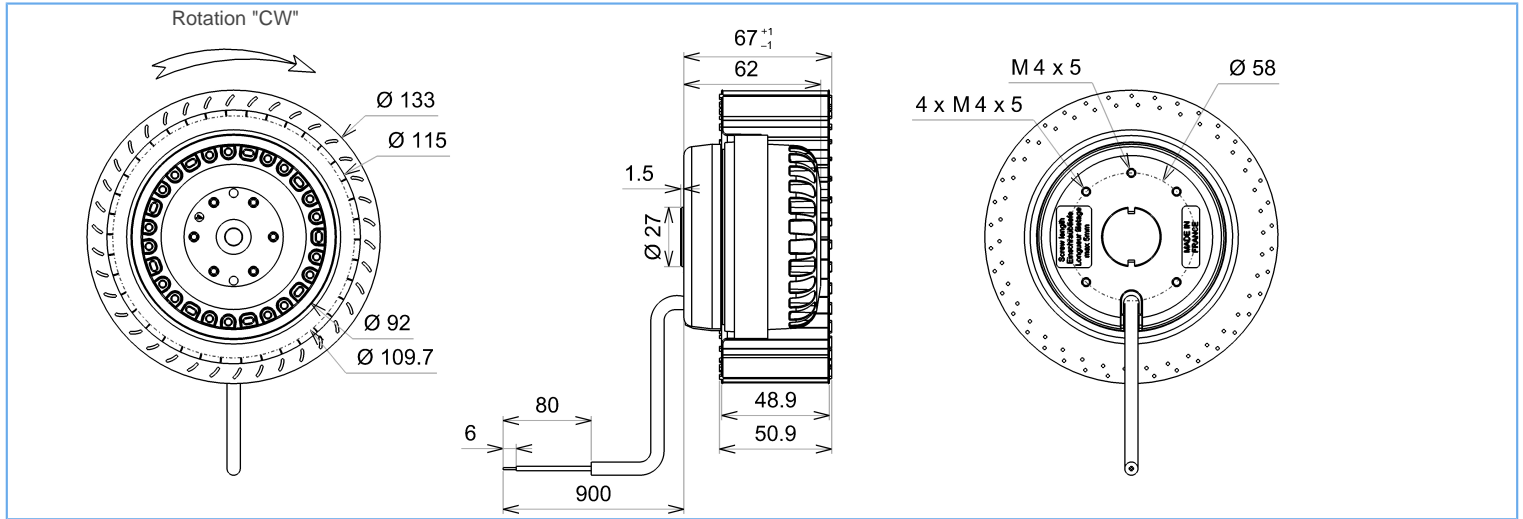
NA : not applicable

ErP 2013

NA

ErP 2015

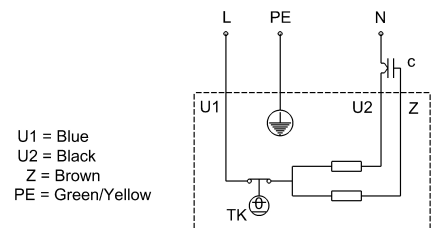
NA



Tested with ECOFIT housing

Description

- .Weight : 1,4 Kg
- .Ball bearing
- .Class F, thermally protected
- .IP44 protection depending on installation and position as per EN60034-5
- .G2.5 balancing
- .Galvanized steel impeller
- .Rotor : black paint



Non contractual document. All specifications are subject to change without prior notice. Picture for information only.



DATA SHEET

release. g - Revision 07-2016

Data in accordance to ErP directive

Voltage	230	V
Frequency	50	Hz
Power	0,056	kW ⁽¹⁾
Airflow	125	m ³ /h ⁽¹⁾
Pressure	219	Pa ⁽¹⁾
Rotation speed	2545	RPM ⁽¹⁾

(1) at optimal efficiency point

ErP directive (EU 2009/125/EC) not applicable :
Power at optimum energy efficiency point

Accessories

- 19008
- 19008
- 21236
- 16091

Measurement setup

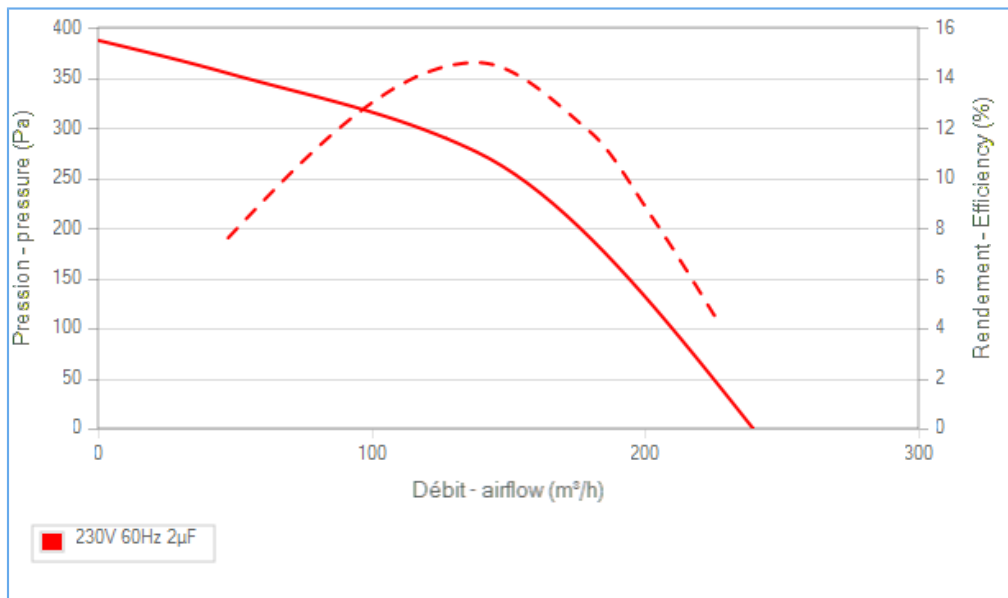
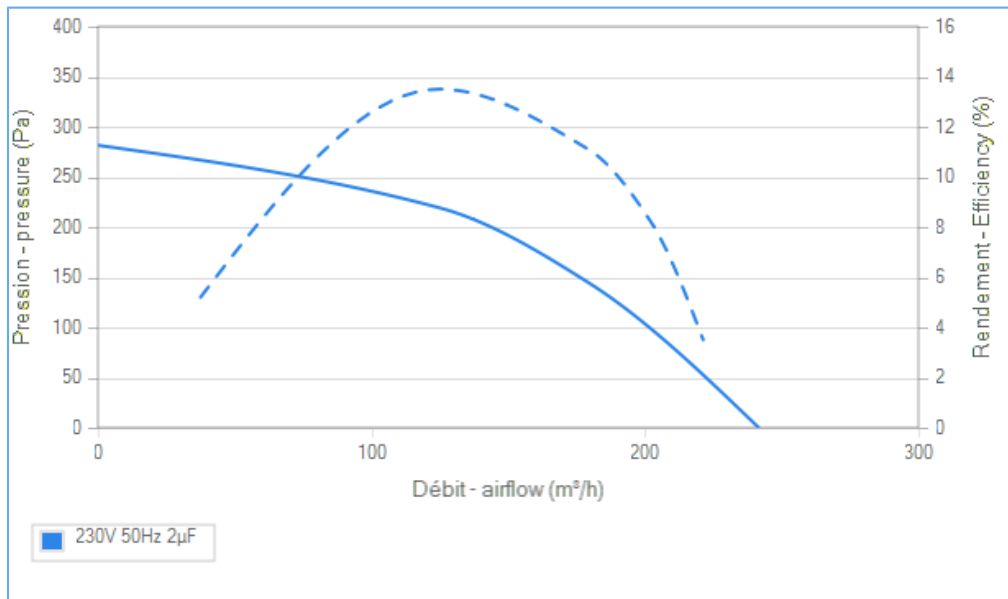
Contact ECOFIT

Documents

- Manuel d'utilisation
www.ecofit.com/site/normes
- Operating and recycling manual
www.ecofit.com/anglais/normes



A041865
2RS915CN



Non contractual document. All specifications are subject to change without prior notice. Picture for information only.