

# Excel Environ WR400 Wall Rack Network Data Cabinet 9U 400 mm Deep Black

Item Code: WB9.4SGB

excel  
without compromise.



✕ Choice of depths available (400 mm, 500 mm, 600 mm)

✕ Steel framed safety glass front door IK08

✕ Quick release doors and side panel

✕ Adjustable front and rear 19" mounting profiles

✕ Removable cable entry panel in top and base

✕ Options for jacking feet or castors

## Product Overview

The Excel Environ WR400 wall rack network cabinet, 9U, width x depth 570 mm x 400 mm, black, is part of a large range of network data cabinets available from Mayflex. The Excel Environ WR is a range of wall-mounted, 570 mm wide racks designed for the installation of both cabling and equipment. These wall boxes now have options for jacking feet and castors in the base of the unit.

The WR series of wall racks is available in depths of 400 mm, 500 mm, and 600 mm, and is suitable for multiple applications, including local area networking (LAN) cabling and hardware, and the housing of security, audio, and visual equipment.

## Product Specifications

Feature	Values
Mounting Profile	Front and rear
Model	With permanent frame
Type of profile rail	L-shaped
Number of doors	1
Type of ventilation	Passive
Width	570 mm
Height	501 mm

# Excel Environ WR400 Wall Rack Network Data Cabinet 9U 400 mm Deep Black

Item Code: WB9.4SGB



Depth	400 mm
Modular spacing	19 inch
Number of rack units (RU)	9
Max. load capacity	60 kg
With roof plate	yes
With earthing	no
With front door	yes
Side panels included	yes
Flat-packed	no
Material	Steel
Type of surface	Powder coated
Colour	Black
RAL-number	9004
IP-rating	IP20

## Additional specifications

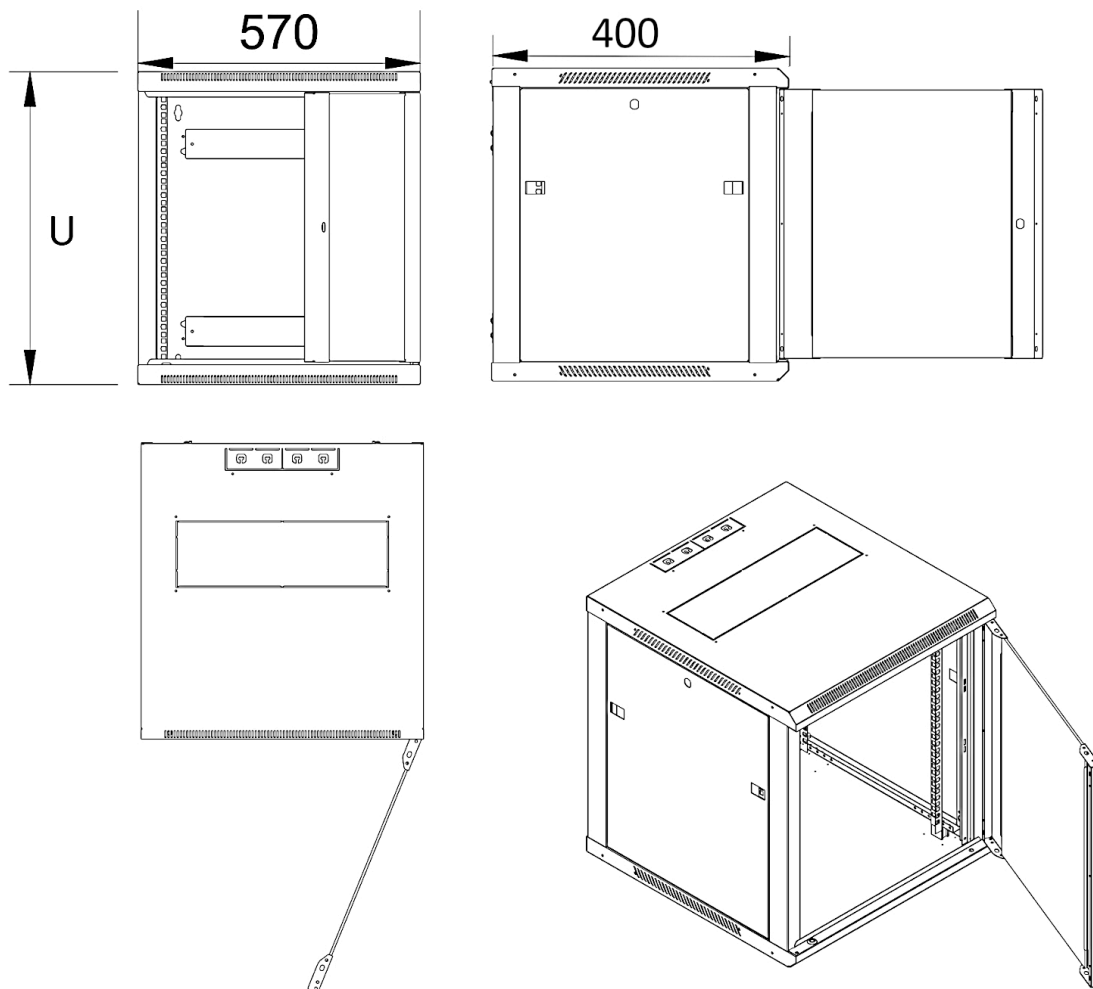
Feature	Value
Frame	1.20 mm
Top cover and fan entry plate	1.20 mm
19" mounting angles	1.50 mm
Side panels	1.20 mm
Front door frame	1.20 mm
Front door glass	5.00 mm
Cable entry knock out (Roof & Base)	230 mm x 45 mm

Excel Environ WR400 Wall Rack Network Data Cabinet 9U 400 mm Deep Black

Item Code: WB9.4SGB



Product drawing

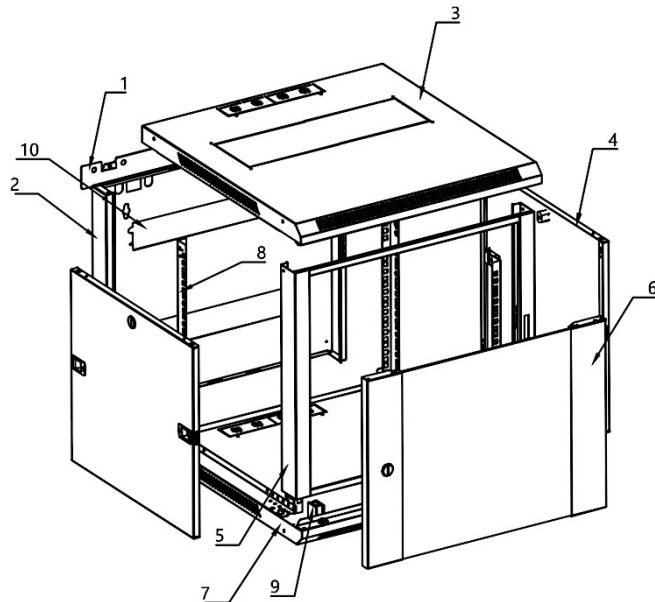


# Excel Environ WR400 Wall Rack Network Data Cabinet 9U 400 mm Deep Black

Item Code: WB9.4SGB

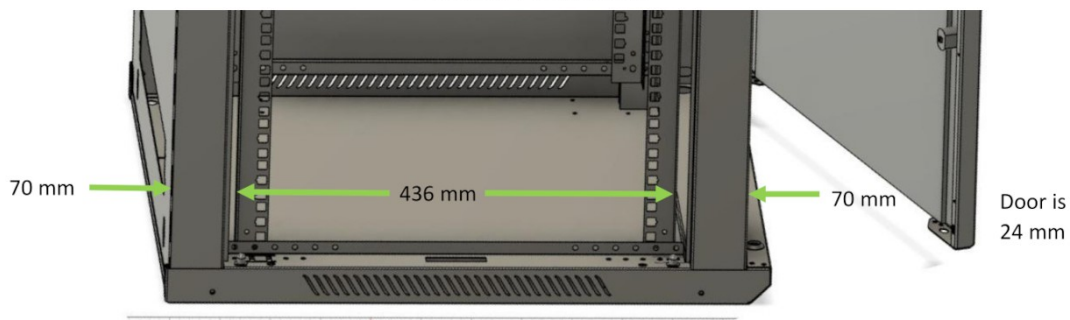


## Exploded view



- 1) Mounting Bracket
- 2) Back Panel
- 3) Roof Panel
- 4) Side Panel
- 5) Front Post Frame
- 6) Front Door
- 7) Bottom Panel
- 8) 19" Mounting Rails
- 9) Bottom support block
- 10) Cable Covers x 2

## Profile Positions



**600mm Wall Box**, pitch between profiles is **436mm is default pitch**, maximum is 456mm.

**500mm Wall Box**, pitch between profiles is **336mm is default pitch**, maximum is 356mm

**400mm Wall Box**, pitch between profiles is **236mm in default pitch**, maximum is 256mm

On 600mm Deep wall box, if rear profiles are moved forward by one position, that will give correct pitch from front profile to side holes which is 386mm, can use 542-021 or 542-026.

500mm Deep wall Boxes will not accept the 400mm Cantilever Shelf, use 542-022 fixed shelf.

For 400mm Deep Wall Boxes, only option is the small shelf 542-020.

# Excel Environ WR400 Wall Rack Network Data Cabinet 9U 400 mm Deep Black

Item Code: WB9.4SGB



## Product images



Quality Glass Door with Lock



Quick Release Side Panels



Mounting Bracket and cable Entry



19" Profiles front and back



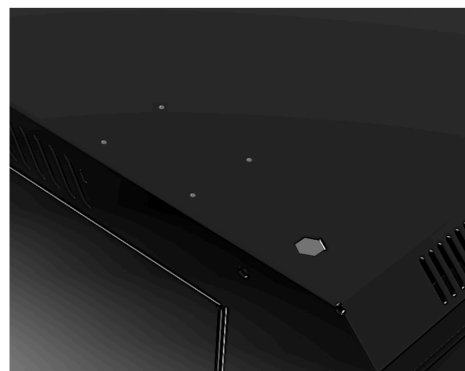
Side Panels Lockable with key



Roof Fan Tray opening and cable entry



Quality Finished Wall Box fully painted



Mounting holes in base for jacking feet or castors

# Excel Environ WR400 Wall Rack Network Data Cabinet 9U 400 mm Deep Black

Item Code: WB9.4SGB



## Standards

Standard	Detail
BS EN 60297-3-100:2009	Mechanical structures for electronic equipment. Dimensions of mechanical structures of the 482,6 mm (19 in) series. Basic dimensions of front panels, subracks, chassis, racks and cabinets
BS 3193:2008	Specification for thermally toughened glass panels for use in domestic appliances
IEC 62262: 2002	Degrees of protection provided by enclosures for electrical equipment against external mechanical impacts (IK code)
RoHS-II/III (2011/65/EU & 2015/863): 2023	Our products, demonstrate full adherence to the regulatory stipulations of the EU Directive 2011/65/EU (RoHS-II) and its corresponding delegated directive 2015/863 (RoHS-III).
WFD: 2023	Compliant to Waste Framework Directive
SCIP: 2023	Compliant - Does Not Contain Substances of Concern In articles as such or in complex objects (Products)
POPs (EU) No 2019/1021	EU Regulation for the restriction of Persistent Organic Pollutants.

## Part Number Table

Part Number	Description
WB12.4SGB	Excel Environ WR400 Wall Rack Network Data Cabinet 12U 400 mm Deep Black
WB6.4SG	Excel Environ WR400 Wall Rack Network Data Cabinet 6U 400 mm Deep Grey
WB6.4SGB	Excel Environ WR400 Wall Rack Network Data Cabinet 6U 400 mm Deep Black
WB9.4SGB	Excel Environ WR400 Wall Rack Network Data Cabinet 9U 400 mm Deep Black
WBFP12.4SGB	Excel Environ WR400 Flat Packed Wall Rack Network Cabinet 12U 400 mm Deep Black
WBFP6.4SG	Excel Environ WR400 Flat Packed Wall Rack Network Cabinet 6U 400 mm Deep Grey
WBFP6.4SGB	Excel Environ WR400 Flat Packed Wall Rack Network Cabinet 6U 400 mm Deep Black
WBFP9.4SGB	Excel Environ WR400 Flat Packed Wall Rack Network Cabinet 9U 400 mm Deep Black

Excel is a world class premium performing end to end infrastructure solution designed, Manufactured, supported and delivered without compromise.

Contact us at [sales@excel-networking.com](mailto:sales@excel-networking.com)



E&OE. Excel is a registered trade name of Mayflex Holdings Ltd.