

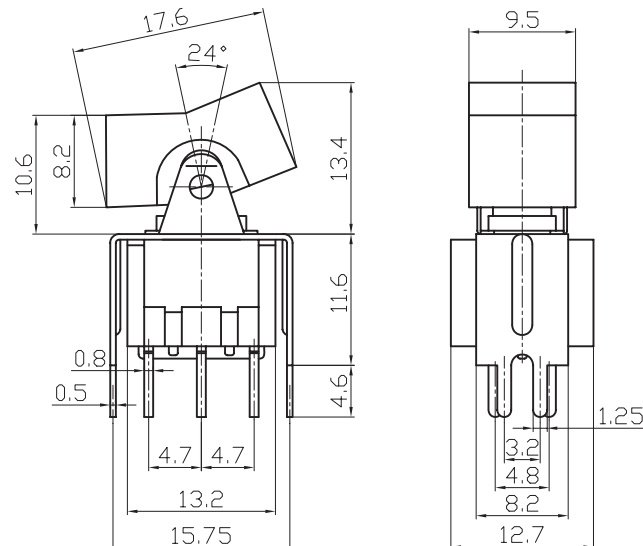
## Miniature Rocker and Lever handle Switch

RLS-202-A2T

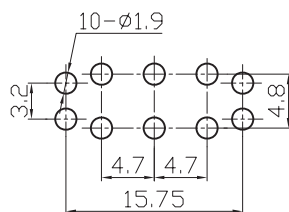
### (Specification)

1. (Rating): 6A 125V AC; 3A 250V AC
2. (Contact R): 20m $\Omega$  max
3. (Insulation R): 500V DC 1000M $\Omega$  min
4. (Dielectric Strength): 1 Minute 1500V AC
5. (Operating Temperature): -25°C ~ +85°C
6. (Electrical Life): 10, 000 Cycles

### (Outline Drawing)



### (Mounting)



### (Circuitry)

