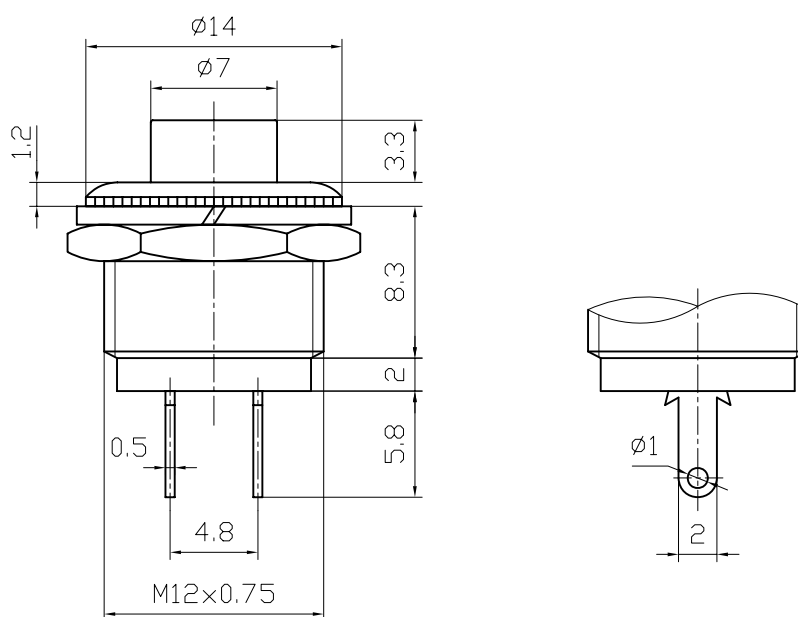


Push-Button Switch

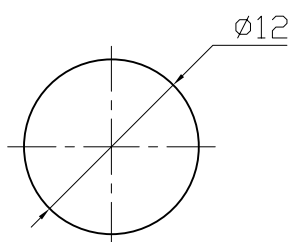
(Specification)

1. (Rating): 3A 125VAC; 1A 250VAC
2. (Contact R): 20m Ω max
3. (Insulation R): 500VDC 100M Ω min
4. (Dielectric Strength): 1 Minute 1000VAC
5. (Operating Temperature): -25°C ~ +85°C
6. (Electrical Life): 50,000 Cycles

(Outline Drawing)



(Mounting)



(Circuitry)

