

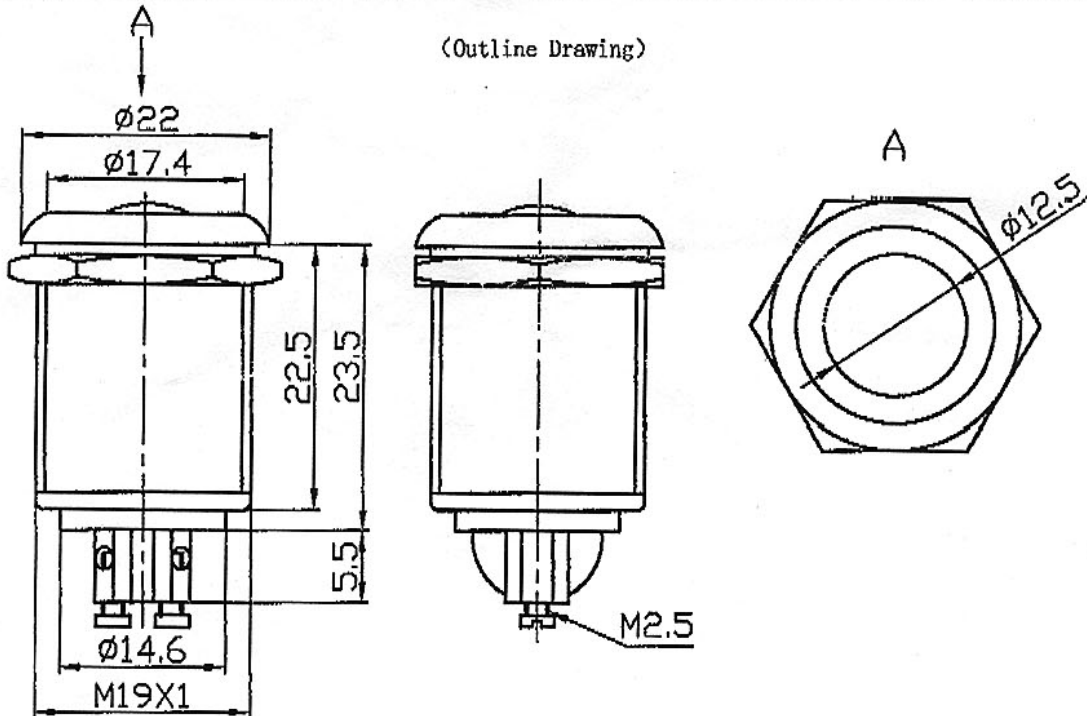
Push-Button Switch

(TYPE): PBS-28B-3A

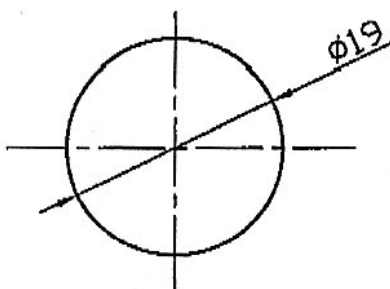
(Specification)

1. (Rating): 4A 125V AC; 2A 250V AC
2. (Contact R): 20m Ω max
3. (Insulation R): 500V DC 100M Ω min
4. (Dielectric Strength): 1 Minute 1000V AC
5. (Electrical Life): 50, 000 Cycles
6. (Case Protection Level): IP66

(Outline Drawing)



(Mounting)



(Circuitry)

