

# D and D0 fuse links and bases



## Product description

Eaton's Bussmann® series Type D and D0 fuse links are specifically designed for the protection of general industrial applications such as power distribution and cable protection.

Both types D and D0 are available in three operating characteristics: Time-delay, Fast-acting and Ultra-rapid versions that fit into screw cap fuse link carriers for mounting in 1- or 3-pole DIN-Rail or screw fixing.

## Features and benefits:

- Characteristics to suit the protection needs of inductive and resistive loads
- Fast trouble shooting with easily visible fuse operated pin indicator
- Historically reliable range
- Wide range of fuse bases and accessories available for many applications
- Compliant to IEC 60269 and DIN 49515

**Catalogue symbol - Type D fuse links**

<b>Fuse Link Size</b>	<b>Time-Delay</b>	<b>Fast-acting</b>	<b>Ultra-rapid</b>
DI	(amp)D16	(amp)D16Q	(amp)D16R
DII	(amp)D27	(amp)D27Q	(amp)D27R
DIII	(amp)D33	(amp)D33Q	(amp)D33R
DIV	(amp)D125	(amp)D125Q	(amp)D125R
DV	(amp)D200	(amp)D200Q	(amp)D200R

**Fuse size**

- DI
- DII
- DIII
- DIV
- DV

**To be used with fuse base**

- E16 (DI)
- E27 (DII)
- E33 (DIII)
- R1 1/4" (DIV)
- R2 (DV)

**Technical data**

- Volts: 500 V a.c.
- Amps: 2 to 200 A
- Breaking capacity: 50 kA

**Class of operation**

- Time-delay
- Fast-acting
- Ultra-rapid

**Standards/Approvals**

- IEC 60269 and DIN 49515

**Fuse bases and accessories (ordered separately)**

- CD27 and CD33 Screw cap fuse link carriers
- GD27 and GD33 Screw cap gauge pieces
- TFD (3-pole) Fuse base screw fixing
- SFRD (1-pole) and TFRD (3-pole) Fuse base DIN-Rail mount

**Weight**

- D16: 12 - 16 grams
- D27: 27 - 30 grams
- D33: 48 - 52 grams
- D125: 105 - 109 grams
- D200: 215 grams

D and D0 fuse links and bases

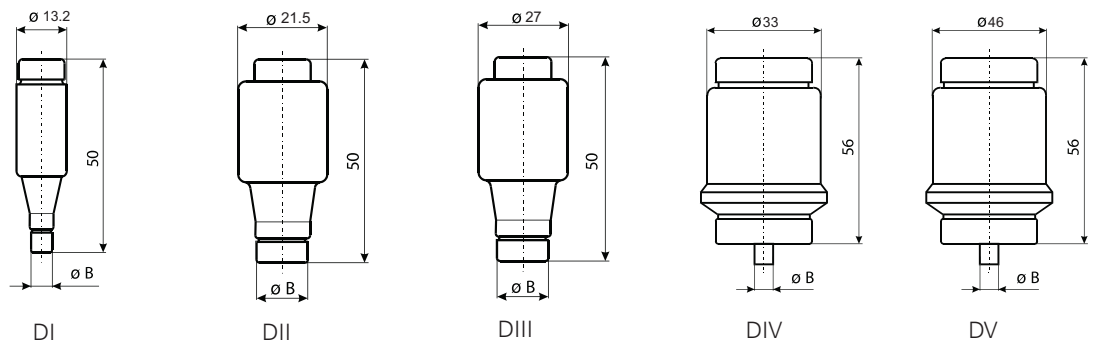
Table 1. Type D Catalogue numbers time delay and fast acting

Fuse link	Operating characteristics	Fuse link size	Current (Amps)	Voltage (V a.c.)	Watts loss	I <sup>2</sup> t (A <sup>2</sup> s at 500 V a.c.)	B dimensions	Pack quantity	To fit fuse base	Compatible gauge ring	Gauge ring colour
2D16	Time-delay	DI	2	500	2.60	10.7	6	10	E16	2GD16	Pink
4D16	Time-delay	DI	4	500	2.0	34	6	10	E16	4GD16	Brown
6D16	Time-delay	DI	6	500	2.20	100	6	10	E16	6GD16	Green
10D16	Time-delay	DI	10	500	1.62	340	8	10	E16	10GD16	Red
16D16	Time-delay	DI	16	500	2.40	1090	10	10	E16	16GD16	Grey
20D16	Time-delay	DI	20	500	2.60	1620	12	10	E16	20GD16	Blue
25D16	Time-delay	DI	25	500	3.40	3450	14	10	E16	25GD16	Yellow
2D27	Time-delay	DII	2	500	2.60	10.7	6	25	E27	2GD27	Pink
4D27	Time-delay	DII	4	500	2.00	34	6	25	E27	4GD27	Brown
6D27	Time-delay	DII	6	500	2.20	100	6	25	E27	6GD27	Green
10D27	Time-delay	DII	10	500	1.62	340	8	25	E27	10GD27	Red
16D27	Time-delay	DII	16	500	2.40	1090	10	25	E27	16GD27	Grey
20D27	Time-delay	DII	20	500	2.60	1620	12	25	E27	20GD27	Blue
25D27	Time-delay	DII	25	500	3.30	3450	14	25	E27	25GD27	Yellow
32D33	Time-delay	DIII	32	500	3.60	4850	16	25	E33	35GD33	Black
35D33	Time-delay	DIII	35	500	3.70	7200	16	25	E33	35GD33	Black
40D33	Time-delay	DIII	40	500	4.20	9250	16	25	E33	35GD33	Black
50D33	Time-delay	DIII	50	500	5.70	14500	18	25	E33	50GD33	White
63D33	Time-delay	DIII	63	500	6.90	26500	20	25	E33	63GD33	Copper
80D125	Time-delay	DIV	80	500	7.54	32500	5	3	R1 1/4"	80GD125	Silver
100D125	Time-delay	DIV	100	500	8.80	65000	7	3	R1 1/4"	100GD125	Red
125D200	Time-delay	DV	125	500	N/A	N/A	5	10	R2	125GD200	Yellow
160D200	Time-delay	DV	160	500	N/A	N/A	7	10	R2	160GD200	Copper
200D200	Time-delay	DV	200	500	N/A	N/A	9	10	R2	200GD200	Blue
2D16Q	Fast acting	DI	2	500	2.60	10.7	6	10	E16	2GD16	Pink
4D16Q	Fast acting	DI	4	500	2.00	34	6	10	E16	4GD16	Brown
6D16Q	Fast acting	DI	6	500	2.20	100	6	10	E16	6GD16	Green
10D16Q	Fast acting	DI	10	500	1.62	340	8	10	E16	10GD16	Red
16D16Q	Fast acting	DI	16	500	2.40	1090	10	10	E16	16GD16	Grey
20D16Q	Fast acting	DI	20	500	2.60	1620	12	10	E16	20GD16	Blue
25D16Q	Fast acting	DI	25	500	3.40	3450	14	10	E16	25GD16	Yellow
2D27Q	Fast acting	DII	2	500	2.60	10.7	6	25	E27	2GD27	Pink
4D27Q	Fast acting	DII	4	500	2.00	34	6	25	E27	4GD27	Brown
6D27Q	Fast acting	DII	6	500	2.20	100	6	25	E27	6GD27	Green
10D27Q	Fast acting	DII	10	500	1.62	340	8	25	E27	10GD27	Red
16D27Q	Fast acting	DII	16	500	2.40	1090	10	25	E27	16GD27	Grey
20D27Q	Fast acting	DII	20	500	2.60	1620	12	25	E27	20GD27	Blue
25D27Q	Fast acting	DII	25	500	3.30	3450	14	25	E27	25GD27	Yellow
35D33Q	Fast acting	DIII	35	500	3.70	7200	16	25	E33	35GD33	Black
50D33Q	Fast acting	DIII	50	500	5.70	14500	18	25	E33	50GD33	White
63D33Q	Fast acting	DIII	63	500	6.90	26500	20	25	E33	63GD33	Copper
80D125Q	Fast acting	DIV	80	500	7.54	32500	5	10	R1 1/4"	80GD125	Silver
100D125Q	Fast acting	DIV	100	500	8.80	65000	7	10	R1 1/4"	100GD125	Red
125D200Q	Fast acting	DV	125	500	N/A	N/A	5	10	R2	125GD200	Yellow
160D200Q	Fast acting	DV	160	500	N/A	N/A	7	10	R2	160GD200	Copper
200D200Q	Fast acting	DV	200	500	N/A	N/A	9	10	R2	200GD200	Blue

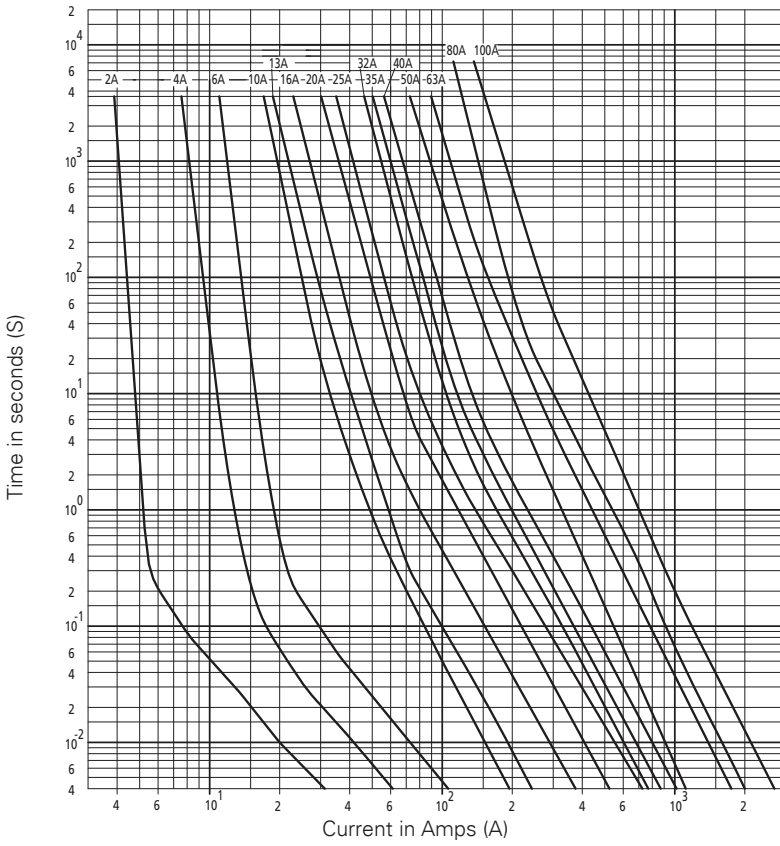
Table 2. Type D Catalogue numbers ultra rapid

Fuse link	Operating characteristics	Fuse link size	Current (Amps)	Voltage (V a.c.)	Watts loss	I <sup>2</sup> t (A <sup>2</sup> s at 500 V a.c.)	B dimensions	Pack quantity	To fit fuse base	Compatible gauge ring	Gauge ring colour
2D16R	Ultra rapid	DI	2	500	2.60	10.7	6	20	E16	2GD16	Pink
4D16R	Ultra rapid	DI	4	500	2.00	34	6	20	E16	4GD16	Brown
6D16R	Ultra rapid	DI	6	500	2.20	100	6	20	E16	6GD16	Green
10D16R	Ultra rapid	DI	10	500	1.62	340	8	20	E16	10GD16	Red
16D16R	Ultra rapid	DI	16	500	2.40	1090	10	20	E16	16GD16	Grey
20D16R	Ultra rapid	DI	20	500	2.60	1620	12	20	E16	20GD16	Blue
25D16R	Ultra rapid	DI	25	500	3.40	3450	14	20	E16	25GD16	Yellow
2D27R	Ultra rapid	DII	2	500	2.60	10.7	6	25	E27	2GD27	Pink
4D27R	Ultra rapid	DII	4	500	2.00	34	6	25	E27	4GD27	Brown
6D27R	Ultra rapid	DII	6	500	2.20	100	6	25	E27	6GD27	Green
10D27R	Ultra rapid	DII	10	500	1.62	340	8	25	E27	10GD27	Red
16D27R	Ultra rapid	DII	16	500	2.40	1090	10	25	E27	16GD27	Grey
20D27R	Ultra rapid	DII	20	500	2.60	1620	12	25	E27	20GD27	Blue
25D27R	Ultra rapid	DII	25	500	3.30	3450	14	25	E27	25GD27	Yellow
30D27R	Ultra rapid	DII	30	500	3.30	3450	14	25	E27	N/A	N/A
35D33R	Ultra rapid	DIII	35	500	3.70	7200	16	25	E33	35GD33	Black
50D33R	Ultra rapid	DIII	50	500	5.70	14500	18	25	E33	50GD33	White
63D33R	Ultra rapid	DIII	63	500	6.90	26500	20	25	E33	63GD33	Copper
80D125R	Ultra rapid	DIV	80	500	7.54	32500	5	3	R1 1/4"	80GD125	Silver
100D125R	Ultra rapid	DIV	100	500	8.80	65000	7	3	R1 1/4"	100GD125	Red
125D200R	Ultra rapid	DV	125	500	N/A	N/A	5	10	R2	125GD200	Yellow
160D200R	Ultra rapid	DV	160	500	N/A	N/A	7	10	R2	160GD200	Copper
200D200R	Ultra rapid	DV	200	500	N/A	N/A	9	10	R2	200GD200	Blue

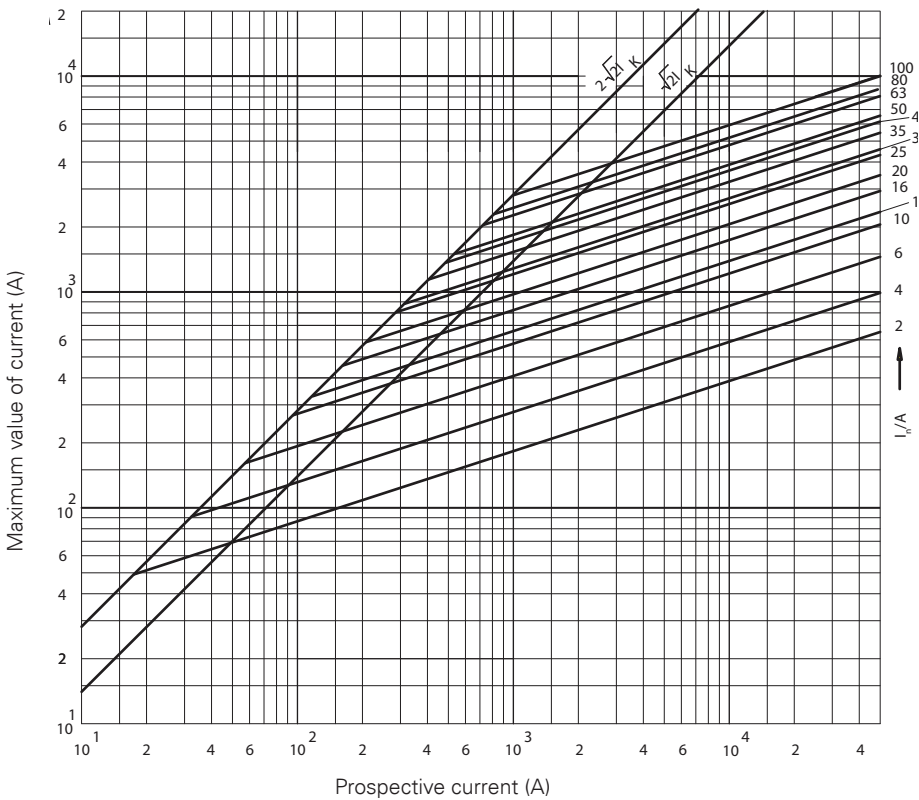
Dimensions - mm



**Time-current curve - Type D Fuse links**



**Cut-off characteristics - Type D Fuse links**



## D and D0 fuse links and bases

### Accessories for type D Fuse links

**Table 3. Screw cap fuse links carriers**

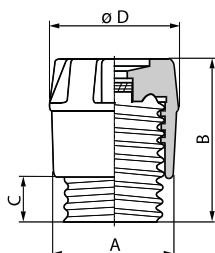
Screws into fuse base.

Catalogue number	Fuse link size	To fit fuse base type	Current (Amps)	Pack qty
CD27	DII	E27	25	50
CD33	DIII	E33	63	30



CD27

#### Dimensions - mm



Rated current (Amps)	Rated current (Amps)			
	A	B	C	D
CD27	E27	44	12	34
CD33	E33	44	12	43

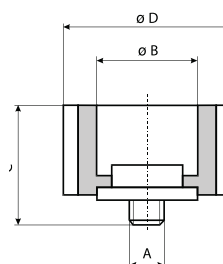
Fuse carrier/cap

**Table 4. Screw cap gauge pieces**

Fuse rating rejection insert to prevent incorrect fuse rating from being installed.

Catalogue number	Colour	Current (Amps)	Fuse link size	To fit fuse base type	Pack qty
2GD27	Pink	2	DII	E27	25
4GD27	Brown	4	DII	E27	25
6GD27	Green	6	DII	E27	25
10GD27	Red	10	DII	E27	25
16GD27	Grey	16	DII	E27	25
20GD27	Blue	20	DII	E27	25
25GD27	Yellow	25	DII	E27	25
35GD33	Black	35	DIII	E33	25
50GD33	White	50	DIII	E33	25
63GD33	Copper	63	DIII	E33	25

#### Dimensions - mm



Rated current (Amps)	Rated current (Amps)			
	A	B	C	D
2GD27	3/16"	6.5	17	24
4GD27	3/16"	6.5	17	24
6GD27	3/16"	6.5	17	24
10GD27	3/16"	8.5	17	24
16GD27	3/16"	10.5	17	24
20GD27	3/16"	12.5	17	24
25GD27	3/16"	14.5	17	24
35GD33	3/16"	16.5	17	30
50GD33	3/16"	18.5	17	30
63GD33	3/16"	20.5	17	30

Gauge piece



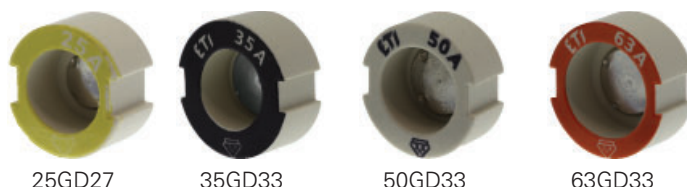
2GD27

4GD27

6GD27

10GD27

16GD27



25GD27

35GD33

50GD33

63GD33

**Table 5. Fuse base screw fixing**

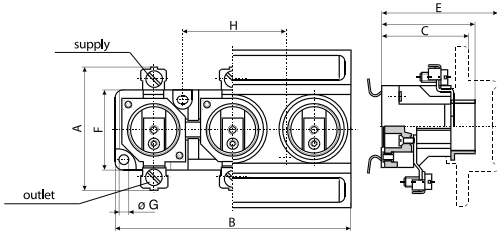
Panel mount receptacle to hold screw cap fuse link carrier and fuse link.

Catalogue number	Number of poles	Fuse link size	To fit fuse base type	Current (Amps)	Pack qty
TFD27	3-pole	DII	E27	25	4
TFD33	3-pole	DIII	E33	63	6



TFD27

**Dimensions - mm**



Rated current (Amps)	A	B	C	D	E	F	G	H
TFD27	41	121	44	47	60	30	4.3	50
TFD33	43	148	44	47	56	32	4.3	62

**TFD**

**Table 6. Fuse base DIN-Rail mount**

DIN-Rail mount receptacle to hold screw cap fuse link carrier and fuse link.

Catalogue number	Number of poles	Fuse link size	To fit fuse base type	Current (Amps)	Pack qty
SFRD27	1-pole	DII	E27	25	15
TFRD27	3-pole	DII	E27	25	4
SFRD33	1-pole	DIII	E33	63	15
TFRD33	3-pole	DIII	E33	63	6

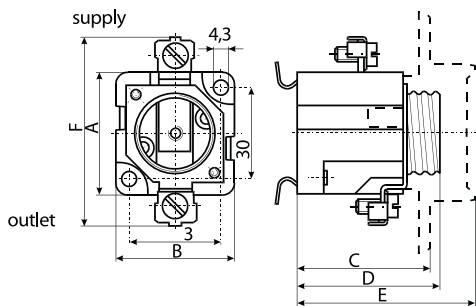


SFRD33



TFRD27

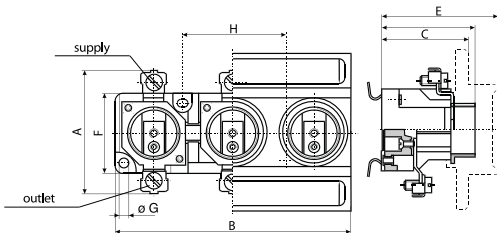
**Dimensions - mm**



Rated current (Amps)	A	B	C	D	E	F
SFRD27	41	39	44	47	60	62
SFRD33	43	47	44	47	56	79

**SFRD**

**Dimensions - mm**



Rated current (Amps)	A	B	C	D	E	F	G	H
TFRD27	41	121	44	47	60	30	4.3	50
TFRD33	43	148	44	47	56	32	4.3	62

**TFRD**

## D and D0 fuse links and bases

### Fitting example



+



+



+



CD27  
Screw cap fuse  
link carrier

10GD27  
Screw cap  
gauge piece

10D27  
Fuse link

TFD27  
Fuse base  
panel mount



**Catalogue symbol - Type D0 fuse links**

Fuse link size	Time-delay	Ultra-rapid
D01	(amp)NZ01	(amp)NZ01R
D02	(amp)NZ02	(amp)NZ02R
D03	(amp)NZ03	N/A

**Fuse size**

- D01
- D02
- D03

**To be used with fuse base**

- E14 (D01)
- E18 (D02)
- M30 x 2 (D03)

**Technical data**

- Volts: 400 V a.c.
- Amps: 2 to 100 A
- Breaking capacity: 50 kA

**Operating class**

- Time-delay
- Ultra-rapid

**Standards/Approvals**

- IEC 60269 and DIN 49515

**Packaging**

- 10 per carton

**Weight**

- NZ01: 6 grams
- NZ02: 11 - 15 grams
- NZ03: 35 grams

**Table 7. Technical data**

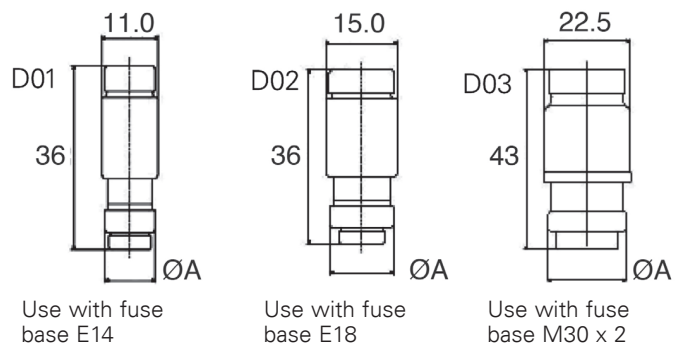
Current (Amps)	I <sup>2</sup> t (Amp <sup>2</sup> seconds)	Nominal watts loss
2	33	0.8
4	52	1.1
6	100	1.2
10	160	1.1
16	460	1.7
20	1100	1.7
25	2000	2.3
35	4700	2.8
50	7800	3.8
63	12300	5

**Fuse bases and accessories (ordered separately)**

- CN01, CN02 and CN03 screw cap fuse link carriers
- GN01 and GN02 screw cap gauge pieces
- FN\_C, FRN-SB, FRN-SD single pole fuse base screw fixing
- TFN\_C, TFRN-SB, TFRN-SD triple pole fuse base screw fixing
- FRN\_C, FRN-B, FRN-D single pole fuse base DIN-Rail mounting
- TFRN\_C, TFRN-B, TFRN-D triple pole fuse base DIN-Rail mounting
- PPD01 and PPD02 Plastic base
- D0-GPK gauge piece key
- D0-SFH special holder

**Dimensions - mm**

See catalogue numbers table for dimension ØA.



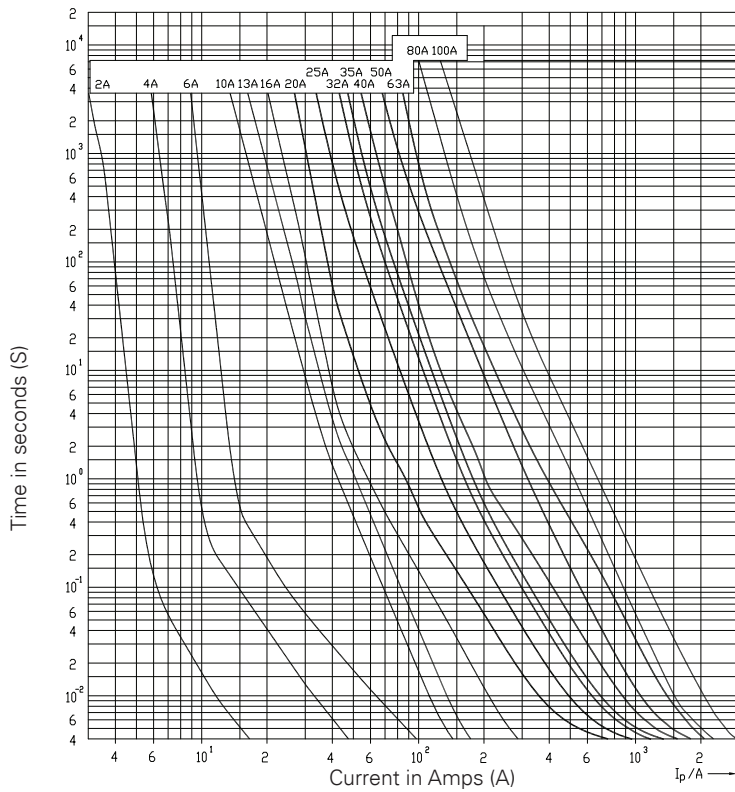
D and D0 fuse links and bases

**Table 8. Type D0 fuse link catalogue numbers**

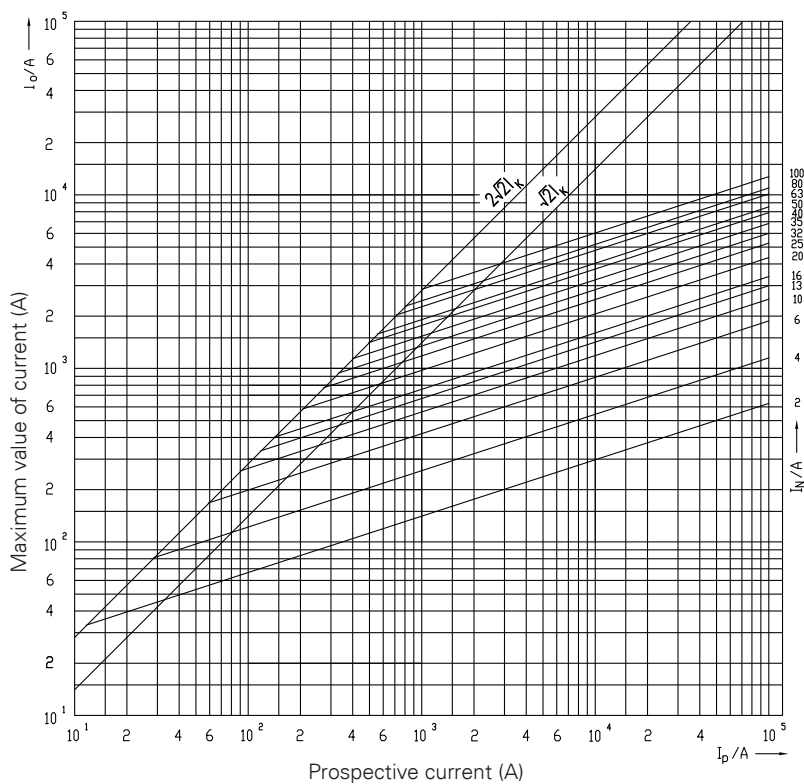
Catalogue numbers	Operating characteristics	Fuse link size	Current (Amps)	Voltage (V a.c.)	∅ A dimensions	Pack qty	To fit fuse base	Compatible gauge ring	Gauge ring colour
2NZ01	Time delay	D01	2	400	7.3	10	E14	2GN01	Pink
4NZ01	Time delay	D01	4	400	7.3	10	E14	4GN01	Brown
6NZ01	Time delay	D01	6	400	7.3	10	E14	6GN01	Green
10NZ01	Time delay	D01	10	400	8.5	10	E14	10GN01	Red
16NZ01	Time delay	D01	16	400	9.7	10	E14	16GN01	Grey
20NZ02	Time delay	D02	20	400	10.9	10	E18	20GN02	Blue
25NZ02	Time delay	D02	25	400	12.1	10	E18	25GN02	Yellow
35NZ02	Time delay	D02	35	400	13.3	10	E18	35GN02	Black
50NZ02	Time delay	D02	50	400	14.5	10	E18	50GN02	White
63NZ02	Time delay	D02	63	400	15.9	10	E18	63GN02	Copper
80NZ03	Time delay	D03	80	400	21.4	10	M30 x 2	80GN03	Silver
100NZ03	Time delay	D03	100	400	21.4	10	M30 x 2	100GN03	Red
2NZ01R	Ultra rapid	D01	2	400	7.3	10	E14	2GN01	Pink
4NZ01R	Ultra rapid	D01	4	400	7.3	10	E14	4GN01	Brown
6NZ01R	Ultra rapid	D01	6	400	7.3	10	E14	6GN01	Green
10NZ01R	Ultra rapid	D01	10	400	8.5	10	E14	10GN01	Red
16NZ01R	Ultra rapid	D01	16	400	9.7	10	E14	16GN01	Grey
20NZ02R	Ultra rapid	D02	20	400	10.9	10	E18	20GN02	Blue
25NZ02R	Ultra rapid	D02	25	400	12.1	10	E18	25GN02	Yellow
35NZ02R	Ultra rapid	D02	35	400	13.3	10	E18	35GN02	Black
50NZ02R	Ultra rapid	D02	50	400	14.5	10	E18	50GN02	White
63NZ02R	Ultra rapid	D02	63	400	15.9	10	E18	63GN02	Copper

D and D0 fuse links and bases

Time-current curve - Type D0 fuse links - Time-delay



Cut-off characteristics - Type D0 Fuse link - Time-delay and Ultra-rapid



**Accessories for type D0 Fuse links**

**Table 9. Fuse cap fuse link carriers**

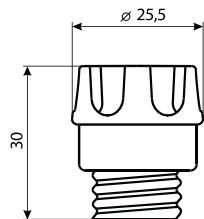
Screws into fuse base.

Catalogue number	Fuse link size	Pack qty
CN01	D01	20
CN02	D02	20
CN03	D03	20



CN01

**Dimensions - mm**



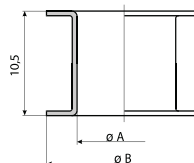
Fuse carrier/cap

**Table 10. Screw cap gauge pieces**

Fuse rating rejection insert to prevent incorrect fuse rating from being installed.

Catalogue number	Colour	Current (Amps)	Fuse link size	To fit fuse base type	Pack qty	Dimensions	
						A	B
2GN01	Pink	2	D01	E14	50	7.9	12
4GN01	Brown	4	D01	E14	50	7.9	12
6GN01	Green	6	D01	E14	50	7.9	12
10GN01	Red	10	D01	E14	50	9.1	12
2GN02*	Pink	2	D02	E18	50	7.9	16.6
4GN02*	Brown	4	D02	E18	50	7.9	16.6
6GN02*	Green	6	D02	E18	50	7.9	16.6
10GN02*	Red	10	D02	E18	50	9.1	16.6
16GN02*	Grey	16	D02	E18	50	10.3	16.6
20GN02	Blue	20	D02	E18	50	11.5	16.6
25GN02	Yellow	25	D02	E18	50	12.7	16.6
35GN02	Black	35	D02	E18	50	13.9	16.6
50GN02	White	50	D02	E18	50	15.1	16.6

**Dimensions - mm**



\* For using fuse links D01 and fuse bases D02



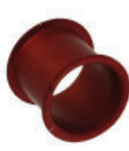
2GN01



4GN01



6GN01



10GN01



16GN02



20GN02



25GN02



35GN02



50GN02

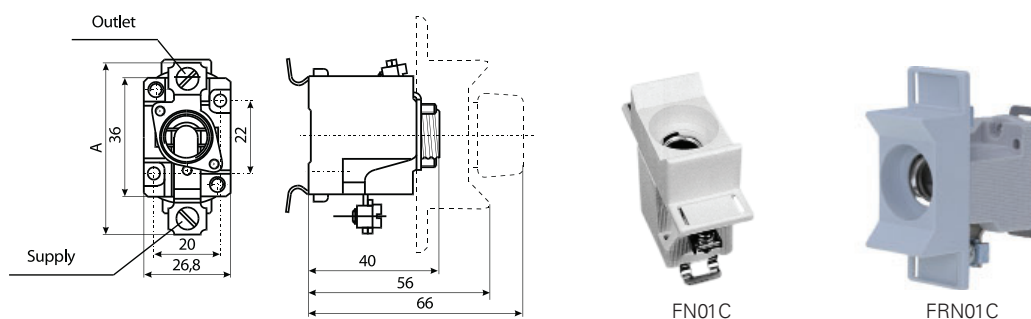
## D and D0 fuse links and bases

**Table 11. Single pole fuse base**

Panel mount receptacle to hold screw cap fuse link carrier and fuse link.

Catalogue number	Current (Amps)	Screw	With protection cover	Without protection cover	DIN-Rail mounting	Screw fixing	Connections		Cross-section of connecting lead (mm <sup>2</sup> )	Dim (A) mm	Pack qty
							Outlet	Supply			
FRN01C	16	E14	x		x		M4	M4	1.5-4	53	15
FN01C	16	E14	x			x	M4	M4	1.5-4	53	15
FRN02C	63	E18	x		x		2 x M5	2 x M5	2.5-25	57	15
FN02C	63	E18	x			x	2 x M5	2 x M5	2.5-25	57	15
FRN01-B	16	E14		x	x		M4	M4	1.5-4	53	15
FRN01-SB	16	E14		x		x	M4	M4	1.5-4	53	15
FRN02-D	63	E18		x	x		2 x M5	2 x M5	2.5-25	57	5
FRN02-SD	63	E18		x		x	2 x M5	2 x M5	2.5-25	57	15

### Dimensions - mm

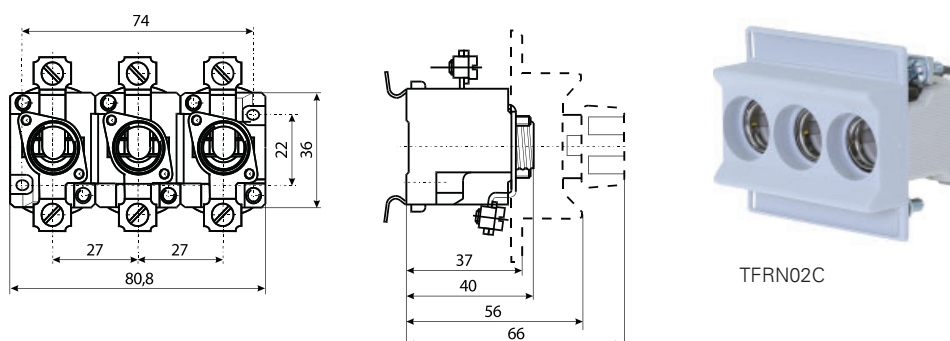


**Table 12. Three pole fuse base**

Panel mount receptacle to hold screw cap fuse link carrier and fuse link.

Catalogue number	Current (Amps)	Screw	With protection cover	Without protection cover	DIN-Rail mounting	Screw fixing	Connections		Cross-section of connecting lead (mm <sup>2</sup> )	Dim (A) (mm)	Pack qty
							Outlet	Supply			
TFRN01C	16	E14	x		x		M4	M4	1.5-4	53	5
TFN01C	16	E14	x			x	M4	M4	1.5-4	53	5
TFRN02C	63	E18	x		x		2 x M5	2 x M5	2.5-25	57	5
TFN02C	63	E18	x			x	2 x M5	2 x M5	2.5-25	57	5
TFRN01-B	16	E14		x	x		M4	M4	1.5-4	53	5
TFRN01-SB	16	E14		x		x	M4	M4	1.5-4	53	5
TFRN02-D	63	E18		x	x		2 x M5	2 x M5	2.5-25	57	5
TFRN02-SD	63	E18		x		x	2 x M5	2 x M5	2.5-25	57	5

### Dimensions - mm



Accessories for type D0 Fuse links

Table 13. Gauge piece key

Catalogue number	Pack qty	MOQ
D0-GPK	20	20



Table 14. Special holder

Catalogue number	Pack qty
D0-SFH	25



Fitting example



**CN01**  
 Fuse cap fuse link carrier

**16GN02**  
 Screw cap gauge ring

**16NZ01**  
 Fuse link

**FRN02C**  
 DIN-Rail fuse mount

Changes to the products, to the information contained in this document, and to prices are reserved; so are errors and omissions. Only order confirmations and technical documentation by Eaton is binding. Photos and pictures also do not warrant a specific layout or functionality. Their use in whatever form is subject to prior approval by Eaton. The same applies to Trademarks (especially Eaton, Moeller, and Cutler-Hammer). The Terms and Conditions of Eaton apply, as referenced on Eaton Internet pages and Eaton order confirmations.

**Eaton**  
 EMEA Headquarters  
 Route de la Longeraie 7  
 1110 Morges, Switzerland

Eaton Electrical Products Limited  
 Unit 1, Hawker Business Park  
 Melton Road  
 Burton-on-the-Wolds  
 Leicestershire, LE12 5TH  
 United Kingdom

© 2022 Eaton  
 All Rights Reserved  
 PDF Only  
 Publication No. 4124  
 February 2022