

**Trasduttore
di corrente alternata
2 Moduli**

**Alternating current
transducer
2 Module**

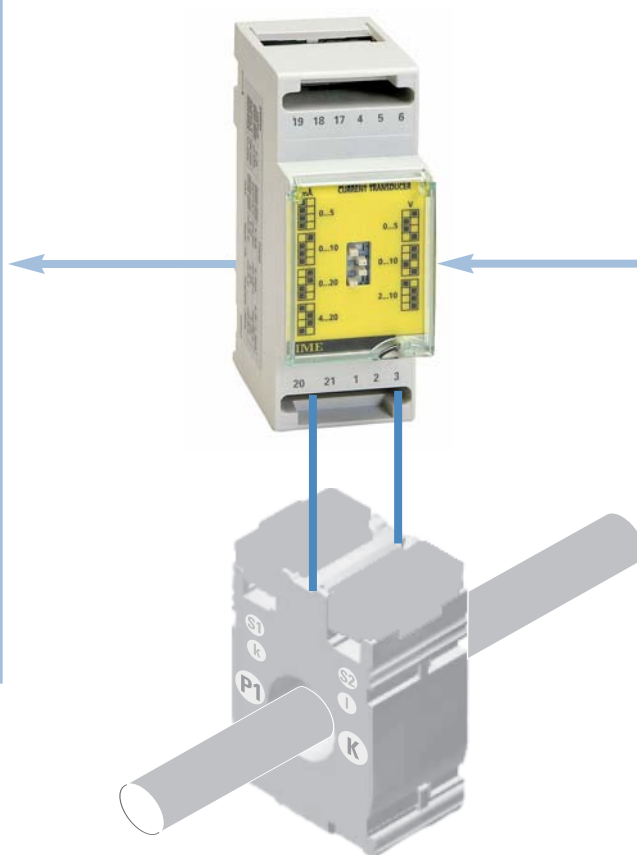
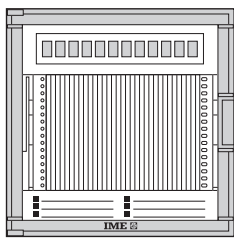
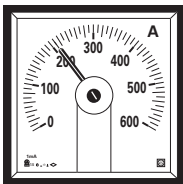
Tema I4

Misura del valor medio,
taratura rapportata al valore efficace
Ingresso su TA/1A - TA/5A
Uscita selezionabile in campo (7 portate)

To measure average value,
calibration according RMS value
Input on CT/1A - CT/5A
Output selectable on field (7 ranges)

Valori selezionabili:
0...5/10/20mA - 4...20mA
0...5/10V - 2...10V

Selectable values:
0...5/10/20mA - 4...20mA
0...5/10V - 2...10V



Uscita Output

0...5mA
0...10mA
0...20mA
4...20mA
0...5V
0...10V
2...10V

**Inserzione su TA/1A o TA/5A
Connection up to CT/1A or CT/5A**

CODICI DI ORDINAZIONE ORDERING CODE	INGRESSO INPUT	AL. AUSILIARIA AUX. SUPPLY
TM3I210	1A	115V ca / ac
TM3I230	5A	115V ca / ac
TM3I310	1A	230 - 240V ca / ac
TM3I330	5A	230 - 240V ca / ac
TM3IH10	1A	20...150V cc / dc
TM3IH30	5A	20...150V cc / dc
TM3IL10	1A	150...250V cc / dc
TM3IL30	5A	150...250V cc / dc

INGRESSO

Corrente nominale In: 1 - 1,2 - 5 - 6A
 Frequenza nominale fn: 50 - 400Hz
 Eccedenza di breve durata (EN 60688): 20In/1s
 Eccedenza continua: 3In
 Autoconsumo: $\leq 0,2VA$

CAMPI NOMINALI DI UTILIZZO

(EN 60688)

Frequenza: 47...63Hz (fn 50Hz)
 Forma d'onda: sinusoidale, fattore di forma 1,11

INTERVALLO DI MISURA

Corrente: 0...120%In

USCITA

Tipo: unidirezionale a zero reale o traslato, per carico d'uscita variabile
 Precisione (EN 60688): classe 0,5
 Ondulazione (EN 60688): $\leq 1\%$
 Tempo di risposta (EN 60688): ≤ 300 ms
 Valore nominale: selezionabile tramite dip switch (7 portate)
 Valori nominali di corrente: 0...5 - 0...10 - 0...20mA - 4...20mA
 Tensione disponibile: 15V
 Carico di uscita: $\leq 750\Omega$ (20mA) - $\leq 1,5k\Omega$ (10mA) - $\leq 3k\Omega$ (5mA)
 Valori nominali di tensione: 0...5 - 0...10 - 2...10V
 Carico di uscita: $\geq 5k\Omega$

ALIMENTAZIONE AUSILIARIA

Valore nominale Uaux ca: 48 - 115 - 230 e 240V
 Altri valori a richiesta
 Variazione ammessa: 0,9...1,1Uaux - 40...60V (Uaux 48V)
 Frequenza nominale faux: 50Hz
 Variazione ammessa: 47...63Hz
 Autoconsumo: $\leq 3VA$
 Valore nominale Uaux cc: 20...150Vcc - 150...250Vcc
 Autoconsumo: $\leq 1,5W$
 Protezione contro l'inversione di polarità

ISOLAMENTO

(EN 60439-1)

Categoria di installazione: III
 Grado di inquinamento: 2
 Tensione di riferimento per l'isolamento: 450V
 Prova di tensione a impulso 5kV 1,2/50 μ s 0,5J
 Circuiti considerati: ingresso, uscita, al. ausiliaria
 Prova a tensione alternata 2,5kV valore efficace 50Hz/1min
 Circuiti considerati: ingresso, uscita, al. ausiliaria
 Prova a tensione alternata 4kV valore efficace 50Hz/1min
 Circuiti considerati: tutti i circuiti e massa

INPUT

Current rating In: 1 - 1,2 - 5 - 6A
 Frequency rating fn: 50 - 400Hz
 Excessive input of short duration (EN 60688): 20In/1s
 Continuous excessive input: 3In
 Rated burden: $\leq 0,2VA$

NOMINAL RANGE OF USE

(EN 60688)

Frequency: 47...63Hz (fn 50Hz)
 Waveform: sinusoidal, form factor 1,11

MEASURING RANGE

Current: 0...120%In

OUTPUT

Type: unidirectional, real or live zero for variable output load
 Accuracy (EN 60688): class 0,5
 Ripple content (EN 60688): $\leq 1\%$
 Response time (EN 60688): ≤ 300 ms
 Rated value: selectable by dip switch (7 ranges)
 Current rated values: 0...5 - 0...10 - 0...20mA - 4...20mA
 Compliance voltage: 15V
 Output load: $\leq 750\Omega$ (20mA) - $\leq 1,5k\Omega$ (10mA) - $\leq 3k\Omega$ (5mA)
 Voltage rated values: 0...5 - 0...10 - 2...10V
 Output load: $\geq 5k\Omega$

AUXILIARY SUPPLY

Rated value Uaux ac: 48 - 115 - 230 and 240V
 Other value on request
 Tolerance: 0,9...1,1Uaux - 40...60V (Uaux 48V)
 Rated frequency faux: 50Hz
 Tolerance: 47...63Hz
 Rated burden: $\leq 3VA$
 Rated value Uaux dc: 20...150Vdc - 150...250Vdc
 Rated burden: $\leq 1,5W$
 Protected against incorrect polarity

INSULATION

(EN 60439-1)

Installation category: III
 Pollution degree: 2
 Insulation reference voltage: 450V
 Impulse voltage test 5kV 1,2/50 μ s 0,5J
 Considered circuits: input, output, aux. supply
 A.C. voltage test 2,5kV r.m.s. 50Hz/1min
 Considered circuits: input, output, aux. supply
 A.C. voltage test 4kV r.m.s. 50Hz/1min
 Considered circuits: all circuits and earth

COMPATIBILITA' ELETTROMAGNETICA

Prove di emissione in accordo con EN 50081-1, EN 55011

Prove di immunità in accordo con EN 50082-2

Prova di disturbo ad alta frequenza, onda oscillatoria smorzata 1MHz (IEC255-4)

Tensione di prova: 2,5kV modo comune, 1kV modo serie

CONDIZIONI AMBIENTALI

Gruppo di utilizzo: II

Temperatura di riferimento: 15...30°C

Temperatura di impiego: 0...45°C

Condizione limite di temperatura: -10...55°C

Temperatura di magazzinaggio: -25...70°C

Umidità relativa: fino a 75%

Adatto all'utilizzo in clima tropicale

Massima potenza dissipata¹: ≤ 2,6W

¹Per il dimensionamento termico dei quadri

CUSTODIA

Dimensioni: 2 moduli DIN 43880

Conessioni: morsetti fissaggio a vite per conduttore fino a 4mm²

Montaggio: a incastro su profilato 35mm

Tipo profilato: a cappello TH35-15 (EN60715)

Materiale custodia: makrolon autoestinguente

Grado di protezione (EN 60529): IP40 (frontale), IP20 (morsetti)

Peso: 200 grammi

ELECTROMAGNETIC COMPATIBILITY

Emission tests according to EN 50081-1, EN 55011

Immunity tests according to EN 50082-2

High frequency disturbance test, 1MHz damped oscillatory wave (IEC255-4)

Test voltage: 2,5kV common mode, 1kV series mode

ENVIRONMENTAL CONDITIONS

Usage group: II

Reference temperature: 15...30°C

Nominal temperature range: 0...45°C

Limit temperature range: -10...55°C

Limit temperature range for storage: -25...70°C

Relative humidity: up to 75%

Suitable for tropical climates

Max. power dissipation¹: ≤ 2,6W

¹For switchboard thermal calculation

HOUSING

Dimensions: 2 module DIN 43880

Connections: screw terminals for cable up to 4mm²

Mounting: snap-on 35mm rail

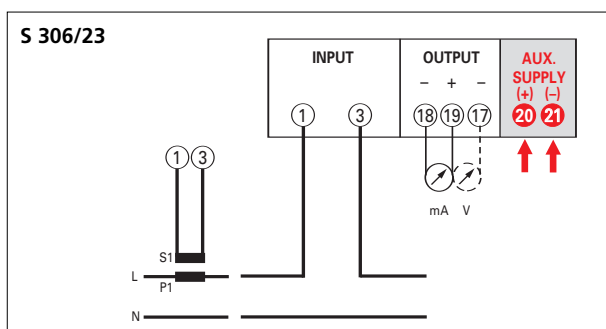
Rail type: top hat TH35-15 (EN60715)

Housing material: self-extinguishing makrolon

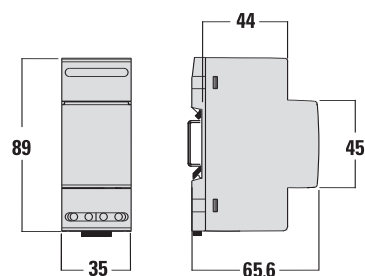
Protection degree (EN 60529): IP40 (front frame), IP20 (terminals)

Weight: 200 grams

SCHEMA D'INSERZIONE WIRING DIAGRAM



DIMENSIONI DIMENSIONS



**Transducteur de courant alternatif
2 Modules**

Mesure de la valeur moyenne,
étalonnée par rapport à la valeur efficace
Entrée sur TC/1A - TC/5A
Sortie sélectionnable (7 calibres)

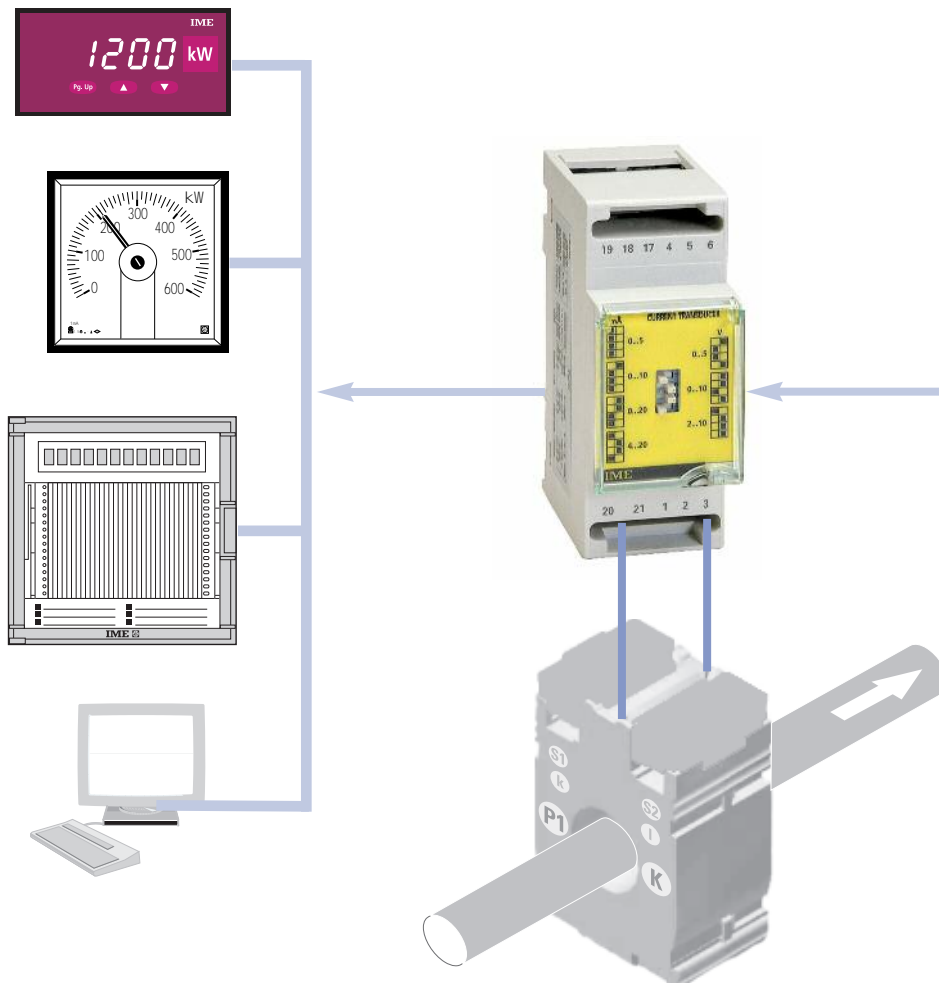
Valeurs sélectionnables:
0...5/10/20mA - 4...20mA
0...5/10V - 2...10V

**Alternating current
transducer
2 Module**

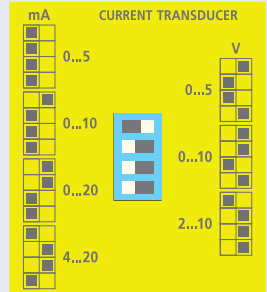
To measure average value,
calibration according RMS value
Input on CT/1A - CT/5A
Output selectable on field (7 ranges)

Selectable values:
0...5/10/20mA - 4...20mA
0...5/10V - 2...10V

Tema TM31



Sortie Output



IME

- 0...5mA
- 0...10mA
- 0...20mA
- 4...20mA
- 0...5V
- 0...10V
- 2...10V

**Raccordement sur TC/1A ou TC/5A
Connection up to CT/1A or CT/5A**

COMPATIBILITE ELECTROMAGNETIQUE

Essai d'émission selon EN 50081-1, EN 55011

Essai d'immunité selon EN 50082-2

Essai de distorsion à haute fréquence 1MHz, onde sinusoïdale (IEC255-4)

Tension d'essai: 2,5kV mode commun, 1kV mode série

CONDITION D'UTILISATION

Groupe d'utilisateur: II

Température de référence: 15...30°C

Température d'utilisation: 0...45°C

Température limite de fonctionnement: -10...55°C

Température de stockage: -25...70°C

Humidité relative: jusqu'à 75%

Adapté pour l'utilisation en climat tropical

Puissance max. dissipée¹: ≤ 2,6W

¹Pour le dimensionnement thermique du coffret

BOITIER

Dimensions: 2 modules DIN 43880

Raccordement: par vis capacité maxi. fil rigide 4mm²

Fixation: rail 35mm

Type de profil: TH35-15 (EN60715)

Matériaux du boîtier: makrolon autoextinguible

Indice de protection (EN 60529): IP40 (face avant), IP20 (bornes)

Poids: 200 grammes

ELECTROMAGNETIC COMPATIBILITY

Emission tests according to EN 50081-1, EN 55011

Immunity tests according to EN 50082-2

High frequency disturbance test, 1MHz damped oscillatory wave (IEC255-4)

Test voltage: 2,5kV common mode, 1kV series mode

ENVIRONMENTAL CONDITIONS

Usage group: II

Reference temperature: 15...30°C

Nominal temperature range: 0...45°C

Limit temperature range: -10...55°C

Limit temperature range for storage: -25...70°C

Relative humidity: up to 75%

Suitable for tropical climates

Max. power dissipation¹: ≤ 2,6W

¹For switchboard thermal calculation

HOUSING

Dimensions: 2 module DIN 43880

Connections: screw terminals for cable up to 4mm²

Mounting: snap-on 35mm rail

Rail type: top hat TH35-15 (EN60715)

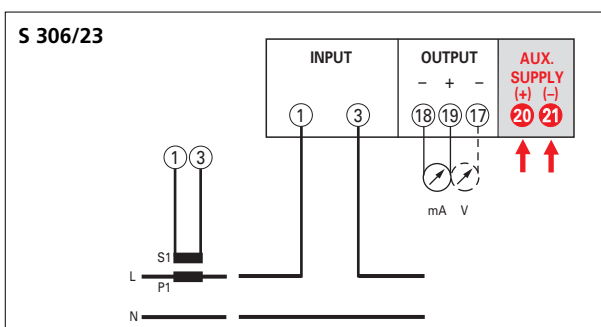
Housing material: self-extinguishing makrolon

Protection degree (EN 60529): IP40 (front frame), IP20 (terminals)

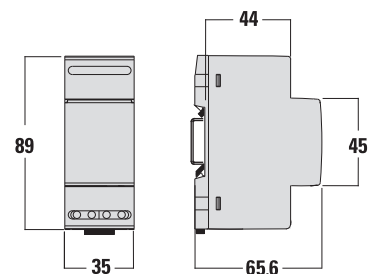
Weight: 200 grams

IMESYS se réserve à chaque moment de modifier les caractéristiques sans préavis écrit / IMESYS reserves the right to modify the technical characteristics without notice.

SCHEMA DE RACCORDEMENT WIRING DIAGRAM



DIMENSIONS DIMENSIONS



REFERENCE ORDERING CODE	INGRESSO INPUT	AL. AUSILIARIA AUX. SUPPLY
5025 4935	1A	115V ca / ac
5025 4936	5A	115V ca / ac
5025 5035	1A	230 - 240V ca / ac
5025 5036	5A	230 - 240V ca / ac
5025 4835	1A	20...150V cc / dc
5025 4836	5A	20...150V cc / dc
5025 4735	1A	150...250V cc / dc
5025 4736	5A	150...250V cc / dc

ENTREE

Courant nominal In: 1 - 1,2 - 5 - 6A
Fréquence nominale fn: 50 - 400Hz
Surcharge de brève durée (EN 60688): 20In/1s
Surcharge continue: 3In
Autoconsommation: $\leq 0,2VA$

DOMAINES D'UTILISATIONS

(EN 60688)

Fréquence: 47...63Hz (fn 50Hz)
Forme d'onde: sinusoïdale, facteur de forme 1,11

ETENDUE DE MESURE

Courant: 0...120%In

SORTIE

Type: unidirectionnel à zéro normal ou décalé, pour charge de sortie variable
Précision (EN 60688): classe 0,5
Ondulation (EN 60688): $\leq 1\%$
Temps de réponse (EN 60688): ≤ 300 ms
Valeur nominale: Sélectionnable par dip-switch (7 calibres)
Valeurs nominales de courant: 0...5 - 0...10 - 0...20mA - 4...20mA
Tension disponible: 15V
Charge de sortie: $\leq 750\Omega$ (20mA) - $\leq 1,5k\Omega$ (10mA) - $\leq 3k\Omega$ (5mA)
Valeurs nominales de tension: 0...5 - 0...10 - 2...10V
Charge de sortie: $\geq 5k\Omega$

ALIMENTATION AUXILIAIRE

Valeur nominale Uaux: 48 - 115 - 230 et 240V
Autres valeurs sur demande
Variation admissible: 0,9...1,1Uaux - 40...60V (Uaux 48V)
Fréquence nominale faux: 50Hz
Variation admissible: 47...63Hz
Autoconsommation: $\leq 3VA$
Valeur nominale Uaux dc: 20...150Vdc - 150...250Vdc
Autoconsommation: $\leq 1,5W$
Protection contre l'inversion de polarité

ISOLEMENT

(EN 60439-1)

Catégorie d'installation: III
Degré de pollution: 2
Tension de référence pour l'isolement: 450V
Tension d'essai 5kV impulsion normalisée 1,2/50 μ s 0,5J
Circuits concernés: entrée, sortie, alimentation auxiliaire
Tension d'essai 2,5kV valeur efficace 50Hz/1 min
Circuits concernés: entrée, sortie, alimentation auxiliaire
Tension d'essai 4kV valeur efficace 50Hz/1 min
Circuits concernés: tous les circuits et la masse

INPUT

Current rating In: 1 - 1,2 - 5 - 6A
Frequency rating fn: 50 - 400Hz
Excessive input of short duration (EN 60688): 20In/1s
Continuous excessive input: 3In
Rated burden: $\leq 0,2VA$

NOMINAL RANGE OF USE

(EN 60688)

Frequency: 47...63Hz (fn 50Hz)
Waveform: sinusoidal, form factor 1,11

MEASURING RANGE

Current: 0...120%In

OUTPUT

Type: unidirectional, real or live zero for variable output load
Accuracy (EN 60688): class 0,5
Ripple content (EN 60688): $\leq 1\%$
Response time (EN 60688): ≤ 300 ms
Rated value: selectable by dip switch (7 ranges)
Current rated values: 0...5 - 0...10 - 0...20mA - 4...20mA
Compliance voltage: 15V
Output load: $\leq 750\Omega$ (20mA) - $\leq 1,5k\Omega$ (10mA) - $\leq 3k\Omega$ (5mA)
Voltage rated values: 0...5 - 0...10 - 2...10V
Output load: $\geq 5k\Omega$

AUXILIARY SUPPLY

Rated value Uaux ac: 48 - 115 - 230 and 240V
Other value on request
Tolerance: 0,9...1,1Uaux - 40...60V (Uaux 48V)
Rated frequency faux: 50Hz
Tolerance: 47...63Hz
Rated burden: $\leq 3VA$
Rated value Uaux dc: 20...150Vdc - 150...250Vdc
Rated burden: $\leq 1,5W$
Protected against incorrect polarity

INSULATION

(EN 60439-1)

Installation category: III
Pollution degree: 2
Insulation reference voltage: 450V
Impulse voltage test 5kV 1,2/50 μ s 0,5J
Considered circuits: input, output, aux. supply
A.C. voltage test 2,5kV r.m.s. 50Hz/1min
Considered circuits: input, output, aux. supply
A.C. voltage test 4kV r.m.s. 50Hz/1min
Considered circuits: all circuits and earth