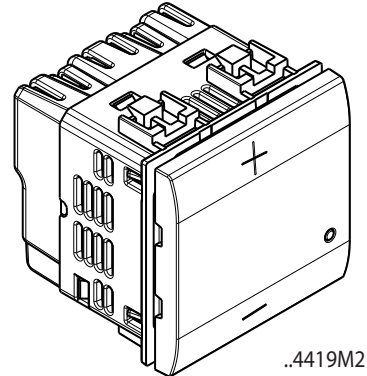
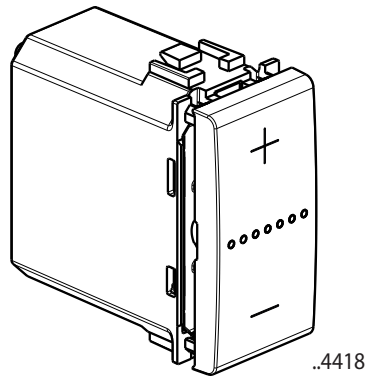


Dimmer



1. USE

Universal pushbutton dimmer, it can increase or reduce the light to create the right atmosphere. Configured by default as ON/OFF. Can be associated with one or several push-buttons (non illuminated type). Memory level function: lights come on again at the same lighting level as before they were last switch-off. Lower and upper thresholds setting. Easy to install in place of a standard switch in a box 40 mm deep (minimum).

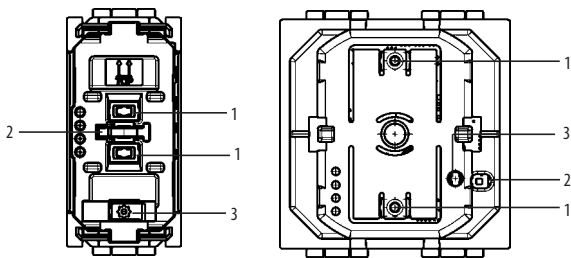
2. RANGE

Designation	Cat. Nos.
For use in conjunction with the starter pack. Universal switch with neutral with dimmer option. Indicator/Locator function. For all types of lamps : - Dimmable LEDs and CFLs : 0 to 150 W (15 lamps max.) - Halogen, incandescent 230 V~ : 0 to 150 W - Halogen with ferromagnetic or electronic transformer : 0 to 150 VA. Standby consumption < 5 mW. - 1 module	<input type="checkbox"/> N4418 <input type="checkbox"/> NT44418 <input type="checkbox"/> L4418
As above, 2 wires. - 2 modules.	<input type="checkbox"/> N4419M2 <input type="checkbox"/> NT44419M2 <input type="checkbox"/> L4419M2

Colours code: White Silver Anthracite

3. OPERATION

Front view



- Legend:
 1. Control Pushbutton
 2. LED indicator: useful during installation
 3. RESET Pushbutton

4. TECHNICAL CHARACTERISTICS

■ **6.1 Mechanical characteristics**

Protection against impacts: IK 04
 Protection against solid bodies/liquids: IP 40

■ **6.2 Material characteristics**

Mechanism casing: PC
 Halogen-free
 UV resistant
 Self-extinguishing: +850°C/30 s for insulating parts holding live parts in place.
 + 650°C/30 s for the other insulating components.

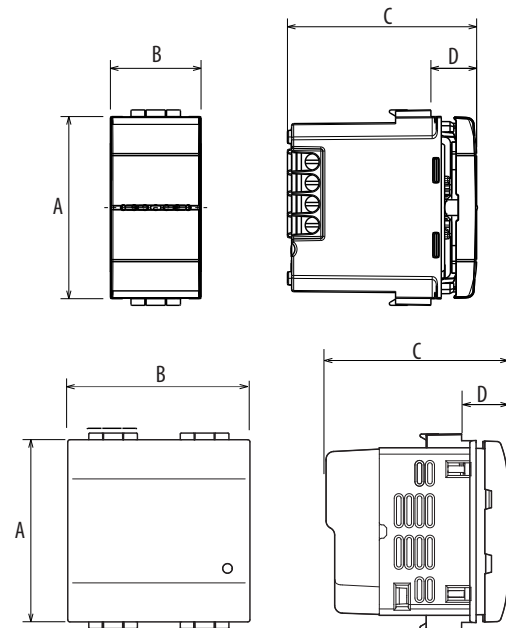
■ **6.3 Electrical characteristics**

Frequency: 50/60Hz
 Standby consumption: 0.7W

■ **6.4 Climatic characteristics**

Storage temperature: -10°C to +70°C
 Usage temperature: -5°C to +35°C

3. DIMENSIONS (m)



	A	B	C	D
..4418	43.8	21.8	45.5	11
..4419M2	43.8	43.8	43.6	11

6. CONNECTION

Terminal type : screw
Terminal capacity: 2.5 mm²
Stripping length: 8 mm
Compatible with flexible or rigid cables

7. CARE

Clean the surface with a cloth.
Do not use acetone, tar-removing cleaning agents or trichloroethylene.

Caution: Always test before using special cleaning products.

8. STANDARDS AND APPROVALS

Compliance with standards IEC/EN 60669-1.
Refer to e.catalogue.