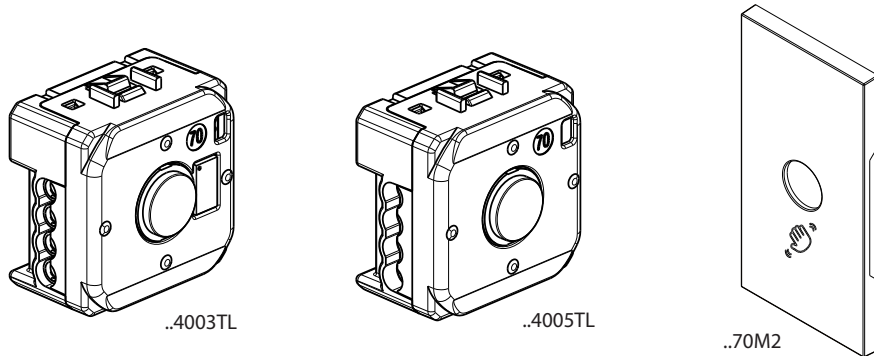


**Contactless switches for light**  
**Contactless switch for door, gate release, electromagnetic suction pad**



**1. USE**

**K4003TL:** Switches the light on or off by simply passing a hand in front of the switch. Detection distance: approximately 6 cm.

Can be used as:

- Simple switch: wired without neutral
- 2-way switch: must be wired with neutral
- Master/slave: must be wired with neutral, 3 slaves max.
- NO pushbutton: must be wired with neutral, for controlling a relay, latching relay or "with Netatmo" micromodule.

For installation in any type of box.

**K4005TL:** Opens the door by simply passing a hand in front of the switch.

- Detection distance adjustable from 10 cm (default) to 30 cm.

- Available modes:

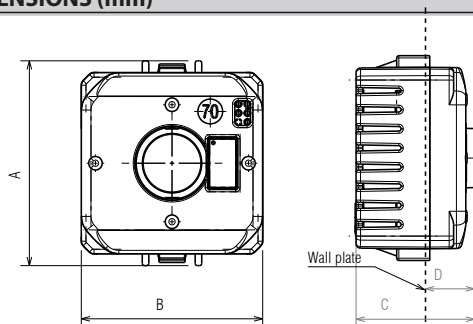
- Maintained/pulse mode (default mode)
- NC/NO mode (default mode)

- For installation in any type of box.

**2. RANGE**

Designation	Cat. No.	Related Cover Code
Contactless switch for light. With illuminated indicator, active by default (can be deactivated).	K4003TL	<input type="checkbox"/> KW70M2 <input type="checkbox"/> KM70M2 <input type="checkbox"/> KG70M2
Contactless switch for door, gate release, electromagnetic suction pad. With illuminated indicator, active by default (can be deactivated).	K4005TL	<input checked="" type="checkbox"/> KG70M2

**3. DIMENSIONS (mm)**



A	B	C	D
45.5	40.3	26.3	10.9

**4. CONNECTION**

Terminal type: with screws  
Terminal capacity: 2 x 2.5 mm<sup>2</sup>  
Stripping length: 8 mm

**5. TECHNICAL CHARACTERISTICS**

■ **5.1 Mechanical characteristics**

Impact tests: IK 04  
Protection against solid bodies and liquids: IP 41

■ **5.2 Material characteristics**

Mechanism casing: PC  
Covers: Blend PC/ABS

Halogen-free  
UV-resistant

Self-extinguishing:

850°C/30 s for insulating components holding live parts in place.  
650°C/30 s for other insulating components.

■ **5.3 Electrical characteristics**

Voltage: 110-240 V~  
Power: 200 W  
Frequency: 50/60 Hz

■ **5.4 Climate characteristics**

Storage temperature: -10°C to +70°C  
Usage temperature: -5°C to +35°C

**6. CARE**

Surface cleaning with a cloth.  
Do not use: acetone, tar remover, trichloroethylene.

Resistance to the following cleaning products:

Hexane, methylated spirit, soapy water, diluted ammonia, pure bleach diluted to 10%, window-cleaning products, pre-impregnated wipes.

**Caution:** Always test before using other special cleaning products.

**7. STANDARDS AND APPROVALS**

Compliant with installation and manufacturing standards.  
See e.catalogue.