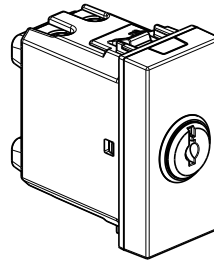
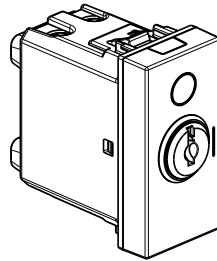


Switches with Key



Use

Key controls for lighting and other controls

Range

Designation

Item

1-Way switch 2P 16AX - 250Va.c. with key
 - the key can be removed in both positions
 - the keys are different for the various devices
 1 module

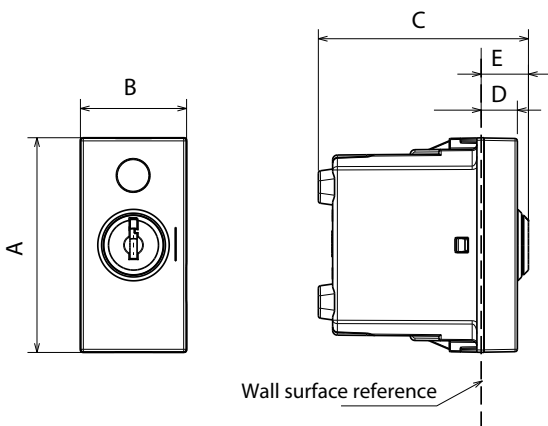
- JW4012
- JG4012
- JB4012

2-Way switch 1P 10AX - 250Va.c. with key
 - the key can be removed in both positions
 - the keys are different for the various devices
 1 module

- JW4022
- JG4022
- JB4022

Colors: White Grey Black

Overall dimensions (mm)



	A	B	C	D	E
..4012 - ..4022	45.1	22.5	44.1	7.6	9.9

Connection

Terminal type: screw clamp
 Terminal capacity: 2 x 4 mm² max
 Stripping length: 11 mm
 Compatible with flexible or rigid cables

Technical characteristics

- **Protection index:**
 (considering a complete installation, including cover plate)
 - Penetration by solid bodies/liquid: IP40
 - Impact test: IK04
- **Material characteristics:**
 - Case: PC (polycarbonate)
 - Key cover : PC/ABS
 - Halogen Free
 - UV resistant
 - Self-extinguishing:
 - 850° C / 30 s for insulating parts holding live parts in place
 - 650° C / 30 s for other parts made of insulating materials

- **Electrical characteristics**
 Voltage: 250 V a.c.
 Current: 16 AX (J_4012) / 10AX (J_4022)
- **Climatic characteristics**
 Storage temperature: - 10° C to + 70° C Use
 temperature: - 5° C to + 35° C

Cleaning

Clean the surface with a cloth.
 Do not use acetone, tar-removing cleaning agents or trichloroethylene.
Caution: Always test before using special cleaning products.

Standard and approvals

Compliance with standards IEC/EN 60669-1.
 Refer to e.catalogue.