

**EMS BTDIN - Mini-configurator & on-site display**Cat. N°:  
F80BV

Contents	Pages
1. Description - Use.....	2
2. Range .....	2
3. Overall dimensions.....	2
4. Preparation - Connection.....	2
5. General characteristics.....	4
6. System architectures.....	10
6.1 Stand-alone .....	10
6.1.1 with local addressing.....	10
6.1.2 with remote addressing .....	11
6.2 Supervised.....	12
6.2.1 with local addressing.....	12
6.2.2 with remote addressing .....	14
7. Compliance and approvals .....	16

# EMS BT DIN - Mini-configurator & on-site display

Cat. N°:  
F80BV

## 1. DESCRIPTION - USE

- . Module dedicated to Energy Management System (EMS BT DIN) use.
- . On site, in stand-alone (without any computer or IP) allows to display data (Supervision information and alarms) and to make several configurations of EMS BT DIN devices

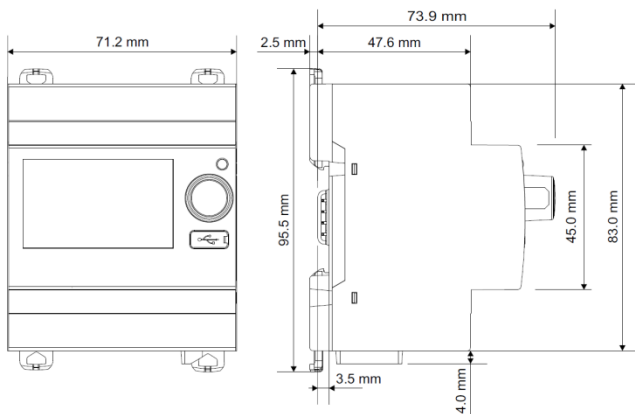
## 2. RANGE

- . Cat. n° F80BV: Mini configurator display with English, French, Italian, Flemish, Polish, Spanish, German, Portuguese and Turkish languages.

### Width:

- . 4 modules. 71,2 mm width.

## 3. OVERALL DIMENSIONS



## 4. PREPARATION -CONNECTION

### Fixing:

- . On symmetric rail EN/IEC 60715 or DIN 35 rail

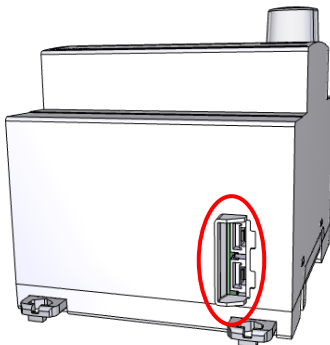
### Operating positions:

- . Vertical, Horizontal, Upside down, On the side



### Power Supply:

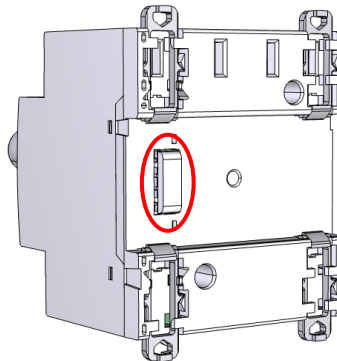
- . Mandatory in 12 VDC via the specific Power supply module Cat n° F80BA
- . Two ways:
  - via specific communication patch cords (cat. nos F80BC250/500/1000) to connect at the downstream through dedicated ports



## 4. PREPARATION -CONNECTION (continued)

### Power Supply (continued):

- via specific communication rails (cat. nos F80BR18/24/36) to connect at the rear through dedicated connectors



### Recommended tools:

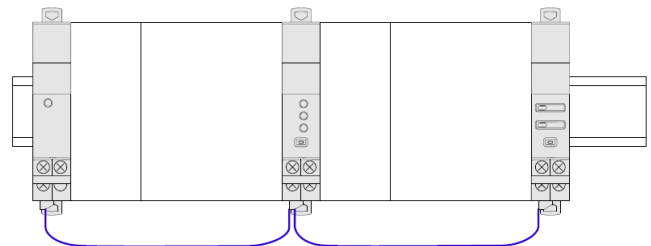
- . For fixing: flat screwdriver 5.5 mm (6 mm maximum).

### Data connection (EMS BT DIN modules inter-connection):

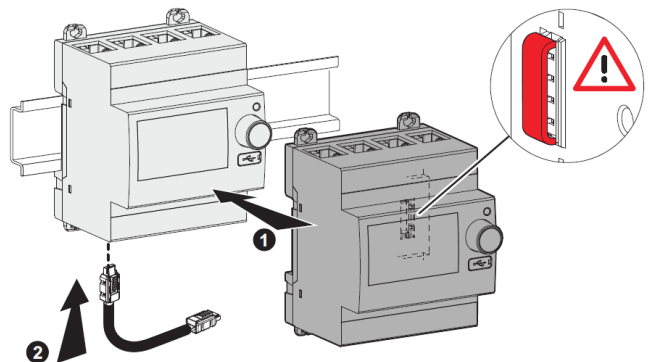
- . Via specific communication patch cords (cat. nos F80BC250/500/1000)



- Allow data transmission between the different EMS BT DIN modules. This type of connection is recommended when there are few EMS BT DIN modules, distributed all over the enclosure.



- Implementing:** with this configuration, the plastic protection cover of the backside communication ports on the EMS BT DIN module must be kept on.



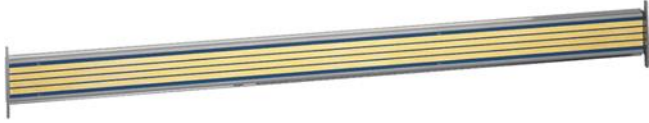
# EMS BTDIN - Mini-configurator & on-site display

Cat. N°:  
F80BV

## 4. PREPARATION - CONNECTION (continued)

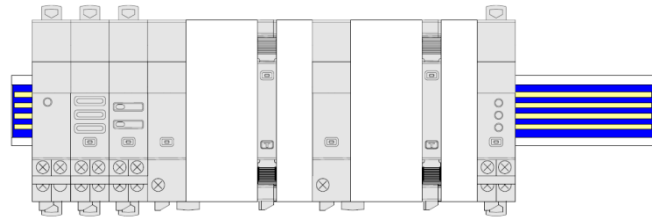
### Data connection (EMS BTDIN modules inter-connection) (continued)\*:

. Via specific communication rails (cat. nos F80BR18/24/36).

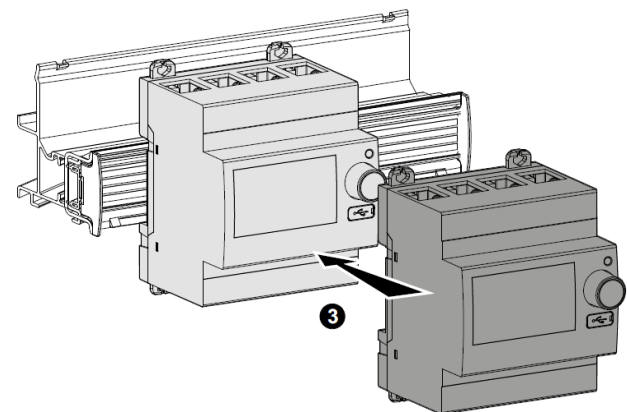
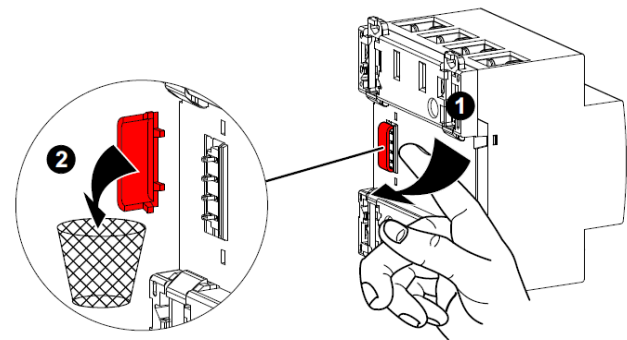


. Allow data transmission between the different EMS BTDIN modules.

This type of connection is recommended when there are several EMS BTDIN modules on the same DIN row.



**Implementing:** with this configuration, the plastic protection cover of the backside communication ports on the EMS BTDIN module must be removed.



## 4. PREPARATION - CONNECTION (continued)

### Data connection (EMS BTDIN modules inter-connection) (continued)\*:

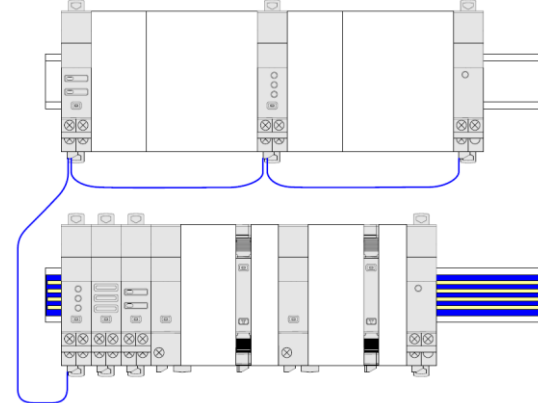
. Via a mix between specific communication patch cords and communication rails in order to create a link between several rows

Two situations:

- Individually connected with communication rails.  
The communication patch cord allows to connect two rows.

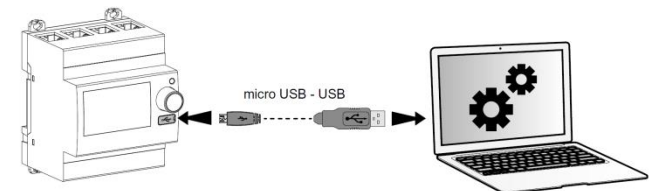


- Individually connected with communication patch cords & communication rail.  
The communication patch cords allow to connect EMS BTDIN module on a row and to connect two rows.



### Front USB port:

. Allows, if needed (e.g. for configuration), to connect the EMS BTDIN Mini-configurator to a computer via a "type B" micro USB/USB commercial cable.



. via the BTicino - EMS configurator software (download for free) is possible to:

- test an EMS installation
- update the module's firmware
- create a link between two modules with Link Functionality
- configure the modules characteristics if the lateral DIP Switches remain on 0000 position (for the modules F80BVS and F80BC)
- make the extended addressing procedure (see § 6.2.2)

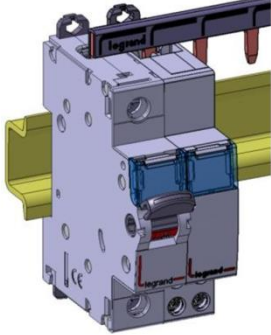
# EMS BT DIN - Mini-configurator & on-site display

Cat. N°:  
F80BV

## 4. PREPARATION –CONNECTION *(continued)*

### Position in a row:

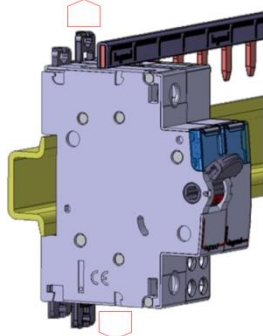
. The product profile and the position of the terminals at the downstream allow the insertion of the prong-busbar by the upstream. In this way the EMS BT DIN module in a row can be freely chosen



### Module maintenance:

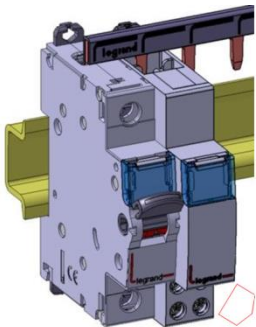
. A device may be replaced in the middle of a row supplied with prong-busbar without disconnecting the other devices.

1. Put the clamp in the unlocking position

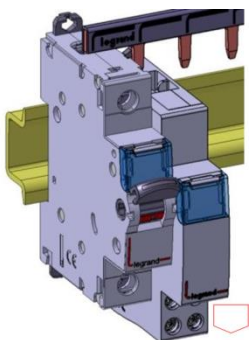


1. Put the clamp in the unlocking position

2. Pull the device forward in order to release it from the rail



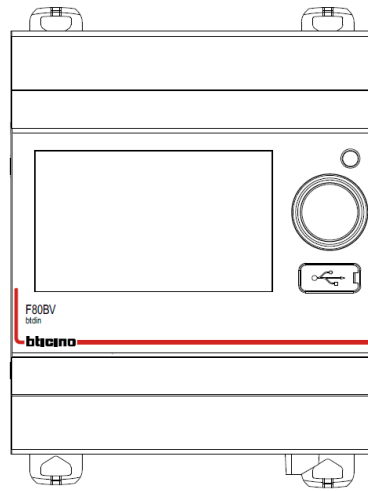
3. Pull the device downward in order to release it completely from the prongs of the busbar



## 5. GENERAL CHARACTERISTICS

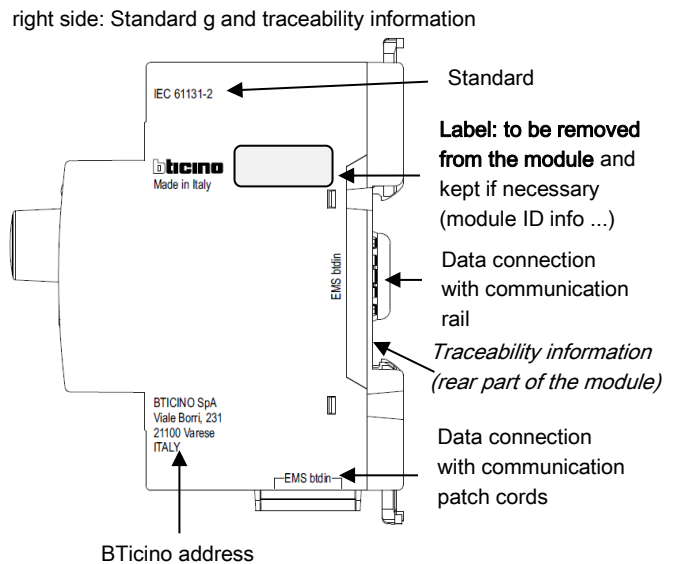
### Front face marking:

. By permanent ink pad printing (red line) and laser marking



### Lateral side marking:

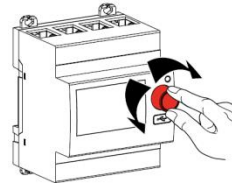
. By laser.



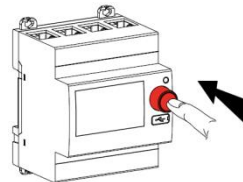
### Rotary button:

. Equipped with a rotary button to browse the mini-configurator pages and to make several configurations:

- Turn: to browse / scroll pages



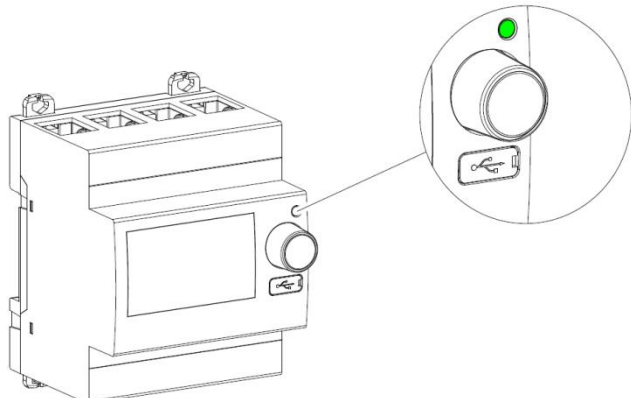
- Push: to confirm a choice, a parameter, etc...




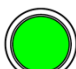

## 5. GENERAL CHARACTERISTICS *(continued)*

### Multi-Functions LED:

. Gives information about the operating state on the module



Possible states:

Led colour	State	Meaning
 red	Slow blinking	Error (e.g. addressing error)
	Fast blinking	System alarm detected ( <i>see Note*</i> )
	Steady <i>(pressing the multifunction button longer than 10 sec.)</i>	Total reset [any firmware updates are preserved]
 green	Slow blinking	System process is running. Wait until the Led turns steady
	Fast blinking <i>(pressing the multifunction button for 5 sec.)</i>	put in "Stand-by" the EMS BTDIN module (no remote action and communication available)
	Steady	System OK, connection is running
 orange	Slow blinking	Creation of a link with "Link Functionality" procedure ( <i>see next §</i> )
	Fast blinking	Device's firmware update in progress
	Steady	No function

### \* Note

#### . Possible system alarms detected by the Mini configuration module:

loss of communication with an EMS module  
 error in addressing procedure: possible mix between local and remote address (*see § 6*)  
 duplicate function error: two EMS modules with the same function have the same address. (on the front face of the two EMS modules the led blink red).

#### . To mute the system alarm:

solve the problem according to the indication on the display of the Mini configurator  
 if the problem is solved the multi-function led become steady green

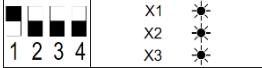
## 5. GENERAL CHARACTERISTICS *(continued)*

### Link Functionality:

. This function allows you to link two EMS BT DIN modules to create automatic actions that, once programmed, can run independently without a connection to a manager is needed.

The basic rule is the link between an event (circuit breaker that trip, a threshold exceeded, etc.) and an action accordingly (signalling, opening of a circuit by motorized control or contactor, etc.).

Possible associations are:

Event generator	Action module		
	Command: F80BC	State + Command: F80BCS	State: F80BV
Measure: F80BM3M63, F80BMM63, F80BMT63, F80BMT125, F80BMT, F80BMR630, F80BMR1600, F80BMR3200, F80BMR6300	✓	✓	✓ Only with the module configured (locally or remotely) as shown: 
State: F80BCR, F80BVS	✓	✓	✗ It's enough to configure the module (locally or remotely) as "Slave"
State + Command: F80BCS	✓	✓	✗ It's enough to configure the module (locally or remotely) as "Slave"

### Note:

- association can only be of type 1 to 1 (1 event and 1 action).
- modules already associated cannot be used for other associations.
- all the configuring procedure will be done with the Configuration Software (available online for free). *[For more details refer to the Installation Manual of EMS BT DIN Configuration software]*

## 5. GENERAL CHARACTERISTICS *(continued)*

### Link Functionality *(continued)*:

Modules compatible with "Link Functionality" feature: firmware versions and production date:

Cat n°	Firmware version	Production date indicated on the label stucked on the side of the module
F80BM3M63	all firmware versions	any production date
F80BMM63	ver. ≥ 2.0.1	date ≥ 18W25
F80BMT63	ver. ≥ 2.0.1	date ≥ 18W49
F80BMT125	all firmware versions	any production date
F80BMT	ver. ≥ 2.0.1	date ≥ 18W35
F80BMR630	all firmware versions	any production date
F80BMR1600	all firmware versions	any production date
F80BMR3200	all firmware versions	any production date
F80BMR6300	all firmware versions	any production date
F80BCR	ver. ≥ 2.0.1	date ≥ 18W47
F80BVS	ver. ≥ 2.0.2	date ≥ 18W35
F80BCS	ver. ≥ 2.0.6	date ≥ 18W45
F80BC	ver. ≥ 3.0.2	date ≥ 18W39
F80BV	ver. ≥ 2.0.4	date ≥ 18W38
F80BIM1	ver. ≥ 3.0.8	date ≥ 18W34

### Insulation voltage:

. Ui = 400 V

### Pollution degree:

. 2 according to IEC/EN 60898-1.

### Overvoltage category:

. III

### Dielectric strength:

. 2500 V

### Plastic material:

- . Self-extinguishing polycarbonate.
- . Heat and fire resistant according to IEC/EN 60695-2-12, glow-wire test at 960°C.
- . Classification UL 94 / IECEN 60695-11-10: V1

### Ambient operating temperature:

. Min. = -25°C, Max. = +70°C

### Ambient storage temperature:

. Min. = -40°C, Max. = +70°C

### Protection Index:

- . Protection index of terminals against solid and liquid bodies (wired device): IP 20 (IEC/EN 60529).
- . Protection index of the front face against solid and liquid bodies: IP 40 (IEC/EN 60529).

### Average weight per device:

. 0,113 kg.

## 5. GENERAL CHARACTERISTICS *(continued)*

### Volume when packed:

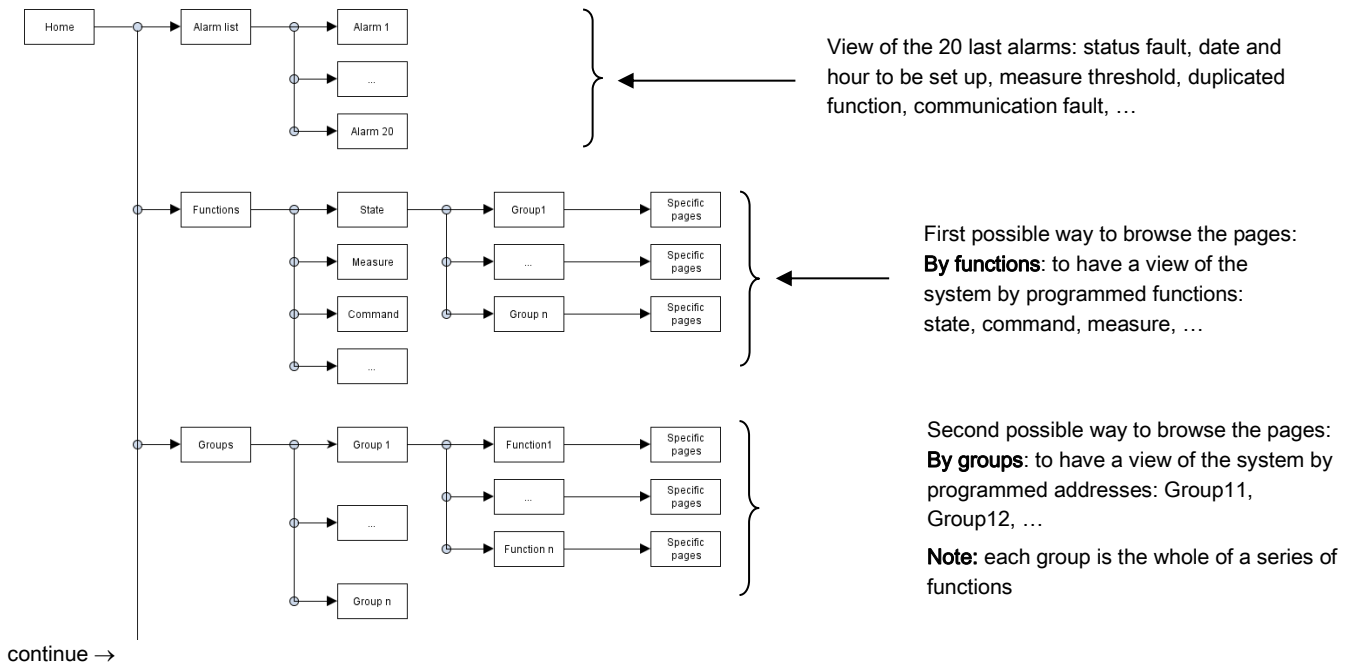
. 0,715 dm<sup>3</sup>.

### Consumption:

. Values at 12 VDC

Configuration	W	mA
Backlight min.	0,175	14,6
Backlight 50%	0,322	26,8
Backlight 100%	0,438	36,5

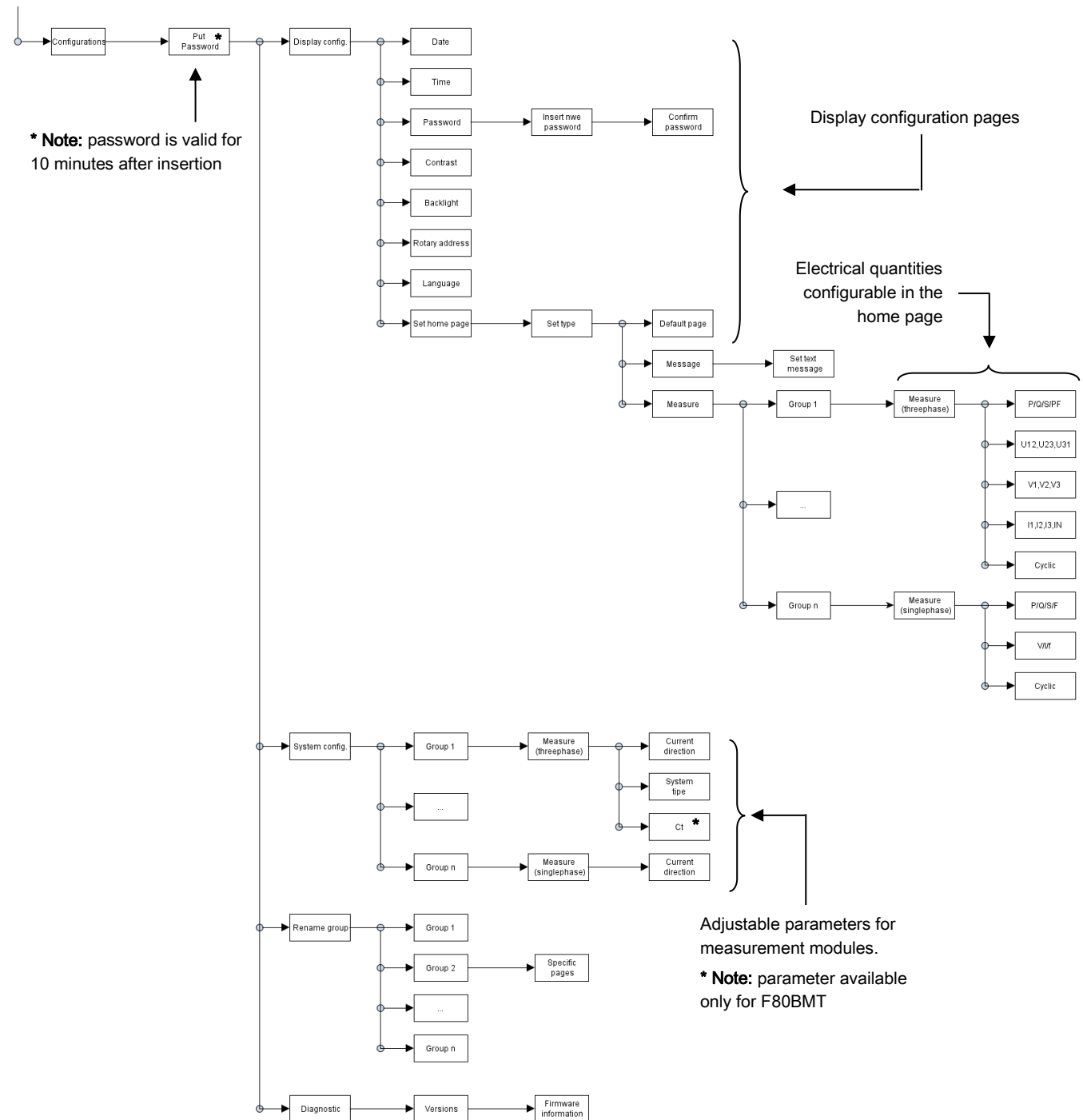
### Mini-configurator menu tree



## 5. GENERAL CHARACTERISTICS *(continued)*

### Mini-configurator menu tree *(continued)*:

→ follow



### Screen characteristics:

- . Type: LCD back lighted
- . Back light colour: white
- . Resolution: 240x128 pixel
- . Dimensions: 2"
- . Automatic backlight reduction, after 20 sec. of rotary button inactivity

## 6. SYSTEM ARCHITECTURES

The EMS BT DIN is a polyvalent system and, according to the needs of the customer, can be set up and/or used as "Stand-alone" or "Supervised" system. Based on this choice the configuration and addressing methods are different.

Four possible architectures are provided:

### 6.1 Stand-alone system

6.1.1 with local addressing (through the track wheel)

6.1.2 with remote addressing (through a computer)

### 6.2 Supervised (Computer Supervisory System)

6.2.1 with local addressing

6.2.2 with remote addressing

### 6.1 Stand-alone system

. **Stand-alone** = autonomous system. To be used by the end-user if it is not necessary to have a computer for the supervision outside the envelope. Everything can be managed on site.

#### 6.1.1 Stand-alone system with local addressing (through the track wheel)

Local addressing advantages:

- No configuration software needed to set-up the installation
- **It is not necessary to use a computer to manage settings** (configurations, test, ...) and to use the system (visualize and be alerted, ...). Everything can be done through the Mini configuration module (local display, cat. no F80BV). [see § "Menu tree"]
- No communication Interfaces or gateways are required.
- Installation can be done without the intervention of a System Integrator

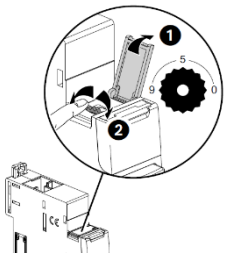
#### Programming procedure:

. For EMS BT DIN modules which need some: mandatory through the lateral DIP-switches of each EMS BT DIN module (see § "Module configuration")

#### Addressing procedure:

. For all EMS BT DIN modules: mandatory through the track wheel located on the top upper face of each EMS BT DIN modules

. Marked from 0 to 9 in order to locally define the Modbus address of the EMS BT DIN modules

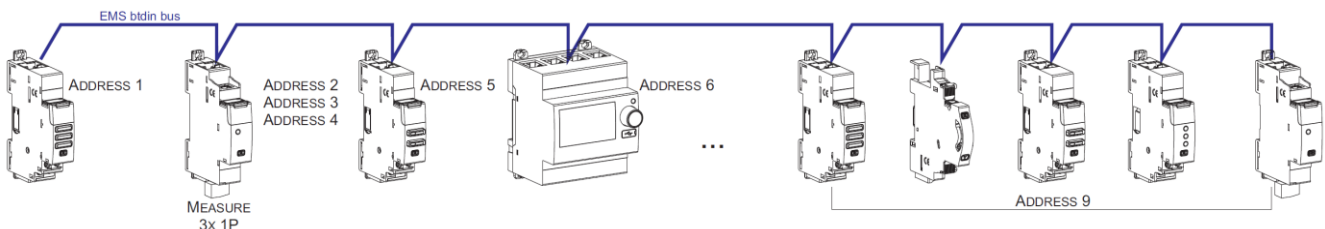


#### Note for Measure Module "3x single phase":

This module is to be consider as 3 modules with 3 different Modbus Address. The module takes automatically the two addresses immediately following to the programmed one (e.g. Programmed address = 12, Addresses of the module 12, 13, 14)

#### Consequences of the local addressing mode (through the track wheel):

- . Each device of the system must be addressed.
- . Addresses available: from 1 to 9
- . Address 0 not permitted
- . It is possible to assign to several devices the same address with the purpose of grouping different functions, **because they are related to the same electrical circuit**. For example, it is possible to assign the same address to a signalling auxiliary module (cat. no F80BCR), a universal control module (cat. no F80BC), a measuring module, and so on. In this way on the EMS BT DIN mini configuration module (local display) the grouped function will be displayed as a unique "device" with all grouped functions. [Refer to the schemes hereunder]



#### Note for the mini configuration module (local display)

- . It is possible to assign it the same address as another EMS BT DIN through the programming menu of the device
- . The mini configuration module can be placed everywhere in the EMS BT DIN bus

## 6. SYSTEM ARCHITECTURES

### 6.1 Stand-alone system (continued)

#### 6.1.2 Stand-alone system with remote addressing (through a computer)

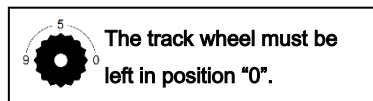
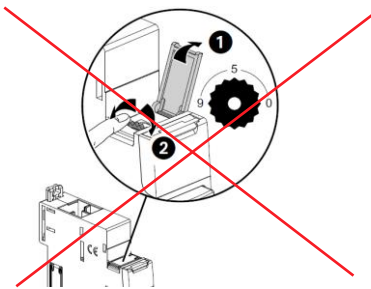
Remote addressing advantages:

- Whole configuration (addresses and functions) can be set up through the EMS Configuration software
- Configuration software available for free
- **Automatic detection of the EMS BT DIN modules** installed in the system (characteristics, functions, configuration...)
- **Increased settings possibilities: load shedding function**
- Increased addressing: **up to 30 Modbus addresses in a system**

#### Programming procedure:

. For EMS BT DIN modules which need some: mandatory through the lateral DIP-switches of each EMS BT DIN module or via the configuration software (see § "Module configuration")

#### Addressing procedure:



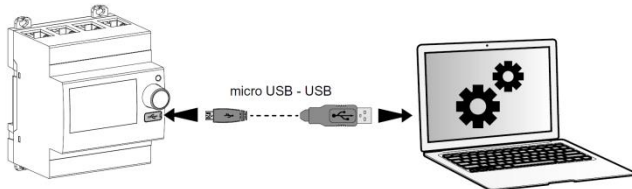
The track wheel must be left in position "0".

. It is not necessary to address the EMS BT DIN modules. **The track wheel must be left in default position "0".**

. All the addressing/configuring procedure will be done with the Configuration Software (available online for free)

. With remote addressing, the software does the automatic detection of modules installed in the system, but the supervision is not possible until the users assign the remote address and all the characteristics to each module.

**Note: it is mandatory to connect the computer to the mini configuration module with an USB-micro USB cable.** [For more details, refer to the § "Front USB port" of this document]



Read configuration from USB

Found:  
8 modules  
8 groups

Group modules in sets assigning the same address.  
Press "Continue" to save addressing and import configuration.

Found modules				
Model	Module ID	Address	Result	
F80BIM1	EMS-IR485 interface	FFFF-FFFF-FFFF-FC0C	+ 1 +	✓
F80BCR	State (modular device)	FFFF-FFFF-FFFF-FFFF	+ 2 +	✓
F80BVS	State (generic)	FFFF-FFFF-FFFF-F09B	+ 4 +	✓
F80BCS	Control + State (CT/LR)	FFFF-FFFF-FFFF-FCFC	+ 4 +	✓
F80BC	Control (generic)	FFFF-FFFF-FFFF-F051	+ 2 +	✓
F80BM63	Measure (singlephase 63A)	FFFF-FFFF-FFFF-F068	+ 2 +	✓
F80BMT63	Measure (threephase 63A)	FFFF-FFFF-FFFF-F06D	+ 4 +	✓
F80BI	Measure (cube)	FFFF-FFFF-FFFF-F088	+ 5 +	✓
F80BMT	Measure (CT)	FFFF-FFFF-FFFF-F071	+ 3 +	✓

Click on this icon on the table to make the LED blink on the corresponding module.

Rotary addr.
Refresh
Continue

bticino

#### Note for Measure Module "3x single phase":

This module is to be consider as 3 modules with 3 different Modbus Address. The module takes automatically the two addresses immediately following to the programmed one (e.g. Programmed address = 2, Addresses of the module 2, 3, 4)

## 6. SYSTEM ARCHITECTURES

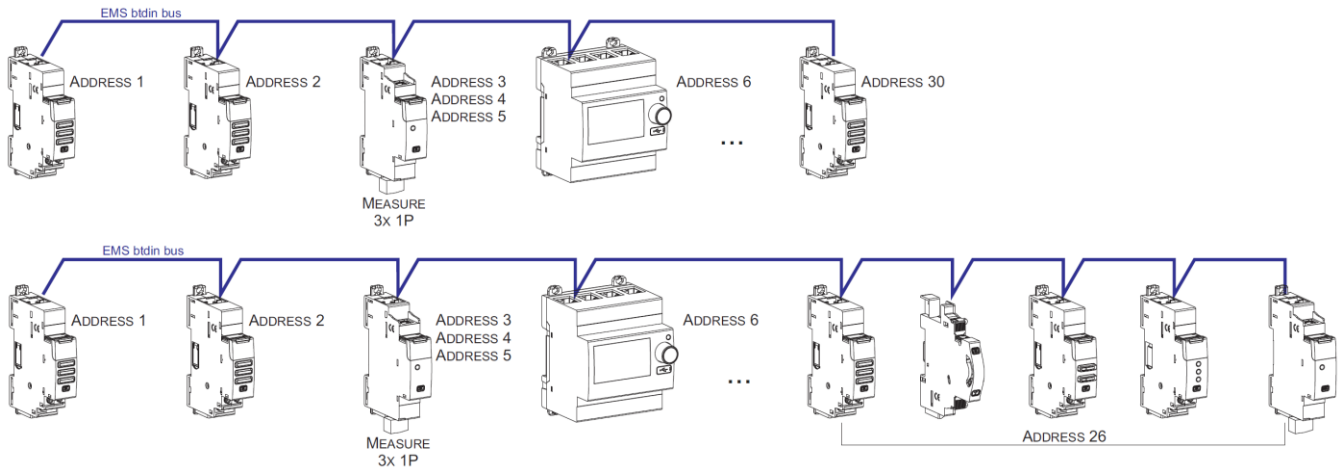
### 6.1 Stand-alone system (continued):

#### 6.1.2 Stand-alone system with remote addressing (through a computer) (continued):

#### Consequences for the system architecture:

- for 1 mini configuration module (cat. no F80BV)
  - o up to **30 EMS BTDIN modules** (e.g. 30 devices grouped per functions with addresses from 1 to 30)

It is possible to assign to several devices the same address with the purpose of grouping different functions, **because they are related to the same electrical circuit**. For example, it is possible to assign the same address to a signalling auxiliary module (cat. no F80BCR), a universal control module (cat. no F80BC), a measuring module, and so on. In this way on the EMS BTDIN display or in a supervision system the grouped function will be displayed as a unique “device” with all grouped functions. [Refer to the schemes here under]



#### Note for the mini configuration module (local display)

- . It is possible to assign it the same address as another EMS BTDIN
- . The mini configuration module can be placed everywhere in the EMS BTDIN bus

### 6.2 Supervised system (Computer Supervisory System)

. **Supervised system** = System to be used through a Computer Supervisory System to remotely read data from the EMS BTDIN devices and/or do operations on these devices (e.g. commands of a motor driven or contactor ...).

#### 6.2.1 Supervised system-with local addressing (through the track wheel)

Local addressing advantages:

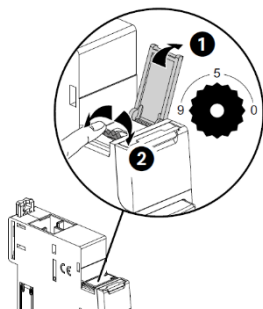
- No configuration software needed to set-up the installation
- Installation can be done without the intervention of a System Integrator

#### Programming procedure:

. For EMS BTDIN modules which need some: mandatory through the lateral DIP-switches of each EMS BTDIN module (see § "Module configuration")

#### Addressing procedure:

- . For all EMS BTDIN modules: mandatory through the track wheel located on the top upper face of each EMS BTDIN modules
    - . Marked from 0 to 9 in order to locally define the Modbus address to EMS BTDIN modules
- In this system the Modbus address of an EMS BTDIN module device or group of modules (several functions) is obtained considering the address of the interface Modbus/EMS BTDIN Interface as tenth and the address of a device or group of function as unit (e.g. Interface address 1 = 10 → address of module n°5 = Modbus address 15)



#### Note for Measure Module “3x single phase”:

This module is to be consider as 3 modules with 3 different Modbus Address. The module takes automatically the two addresses immediately following to the programmed one (e.g. Programmed address = 12, Addresses of the module 12, 13, 14)

## 6. SYSTEM ARCHITECTURES *(continued)*

### 6.2 Supervised system (Computer Supervisory System) *(continued)*

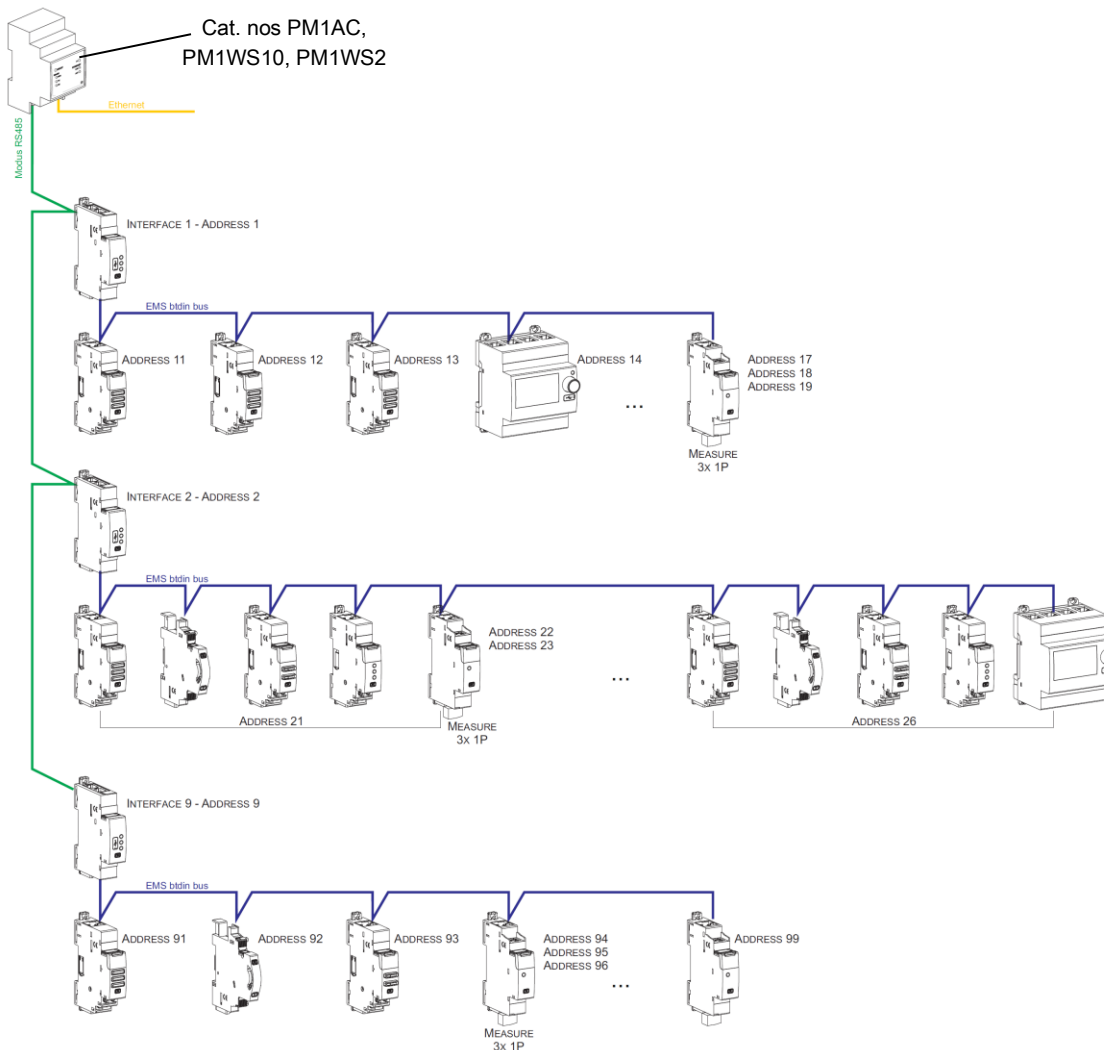
#### 6.2.1 Supervised system-with local addressing (through the track wheel) *(continued)*

##### Consequences of the local addressing mode (through the track wheel):

- . Each device of the system must be addressed.
- . Addresses available: from 1 to 9
- . Address 0 not permitted

It is possible to assign to several devices the same address with the purpose of grouping different functions, **because they are related to the same electrical circuit**. For example, it is possible to assign the same address to a signalling auxiliary module (cat. no F80BCR), a universal control module (cat. no F80BC), a measuring module, and so on. In this way on the EMS BTDIN display or in a supervision system the grouped function will be displayed as a unique "device" with all grouped functions. *[Refer to the scheme hereunder]*

**Note:** In this configuration the Modbus address of an EMS BTDIN module device or group of modules (several functions) is obtained considering the address of the interface Modbus/EMS BTDIN Interface as tenth and the address of a device or group of function as unit (e.g. Interface address 1 = 10 and device address = 5 → Modbus address = 15)



##### Consequences for the system architecture:

- for 1 IP/Modbus gateway (cat. no PM1AC):
  - o up to **81 Modbus address**
  - o mandatory limit of max. **9 Modbus/EMS BTDIN interfaces** or max. **1000 m of Modbus cable** (cable Belden 9842, Belden 3106A or equivalent) or max. **50 m of Category 6 cable** (FTP or UTP).
- for 1 Modbus/EMS BTDIN Interface (cat. no F80BIM1):
  - o up to **30 EMS BTDIN modules** (ex. 30 devices grouped per functions with addresses from 1 to 9)

**Note:** with local addressing, the Modbus/EMS BTDIN interface, does the automatic detection of modules (characteristics, functions, configuration...)

## 6. SYSTEM ARCHITECTURES *(continued)*

### 6.2 Supervised system (Computer Supervisory System) *(continued)*

#### 6.2.2 Supervised system-with remote addressing (through a computer)

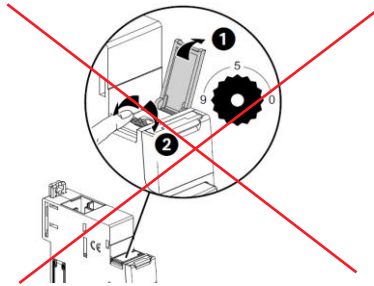
Remote addressing advantages:

- Whole of configuration (addresses and functions) can be done a remotely through the EMS Configuration software
- Configuration software available for free
- **Automatic detection of the EMS BT DIN modules** installed in the system (characteristics, functions, configuration...)
- **Increased settings possibilities: load shedding function**
- Increased addressing: **up to 32 Modbus/EMS BT DIN interfaces**
- Increased addressing: **up to 247 Modbus addresses in a system**

#### Programming procedure:

. For EMS BT DIN modules which need some: mandatory through the lateral DIP-switches of each EMS BT DIN module or via the configuration software (see § "Module configuration")

#### Addressing procedure:



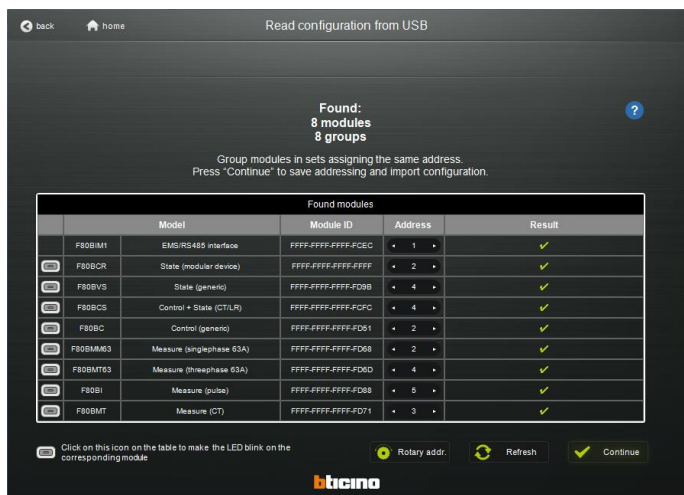
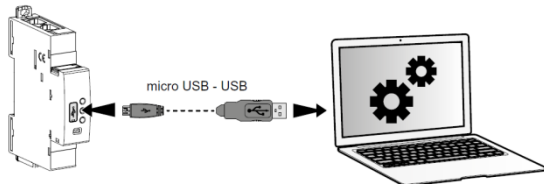
The track wheel must be left in position "0".

. It is not necessary to address the EMS BT DIN modules. **The track wheel must be left in default position "0".**

. All the addressing/configuring procedure will be done with the Configuration Software (available online for free)

. With remote addressing, the software does the automatic detection of modules installed in the system, but the supervision is not possible until the user assigns the remote address and all the characteristics to each module.

**Note: it is mandatory to connect the computer to the different Modbus/EMS BT DIN interface with an USB-micro USB cable (one interface at a time).** [For more details, refer to the technical data sheet of the Modbus/EMS BT DIN interface]



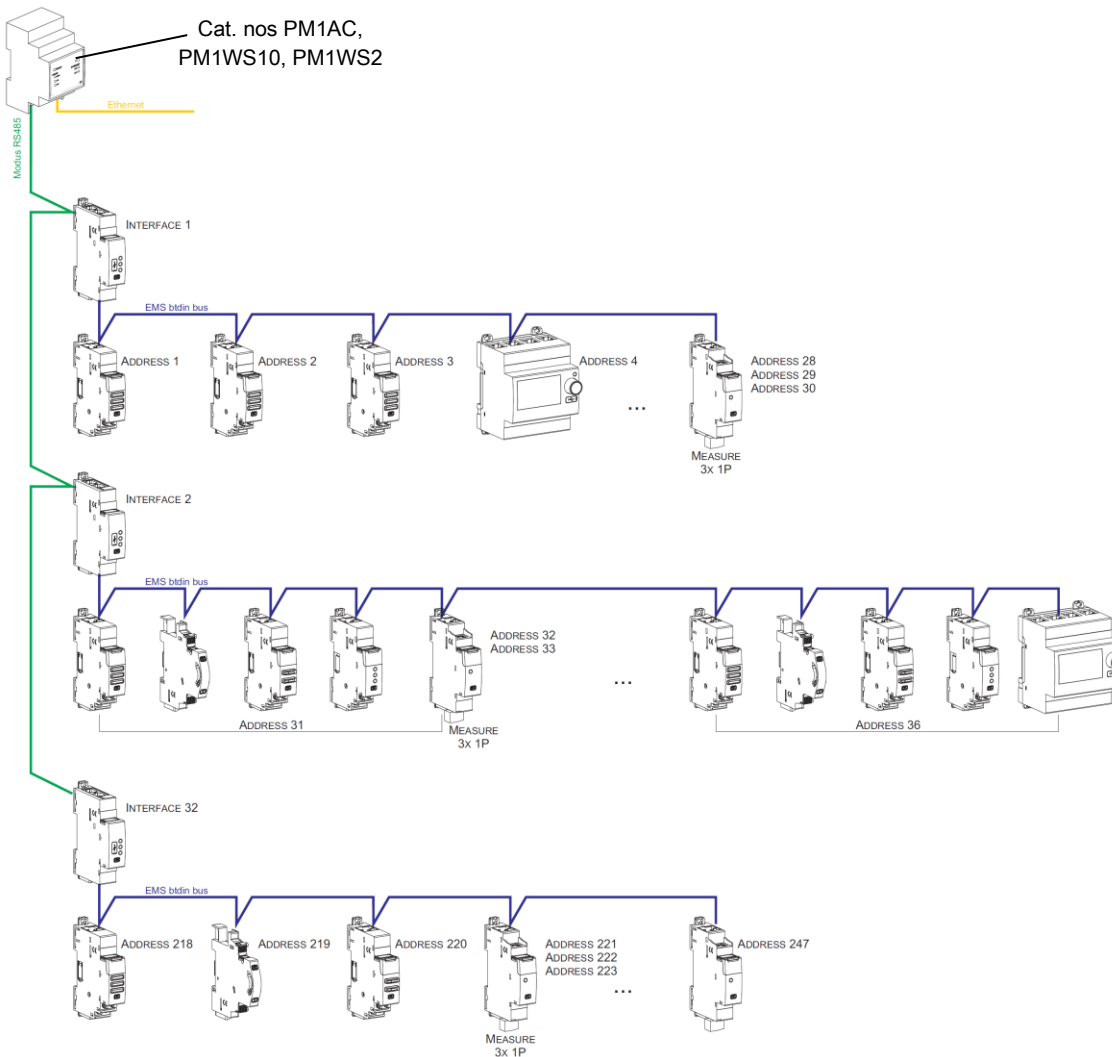
#### Note for Measure Module "3x single phase":

This module is to be consider as 3 modules with 3 different Modbus Address. The module takes automatically the two addresses immediately following to the programmed one (e.g. Programmed address = 2, Addresses of the module 2, 3, 4)

## 6. SYSTEM ARCHITECTURES *(continued)*

### 6.2 Supervised system (Computer Supervisory System) *(continued)*

#### 6.2.2 Supervised system-with remote addressing (through a computer) *(continued)*



#### Consequences for the system architecture:

- for 1 IP/Modbus gateway (cat. no PM1AC):
  - o up to **247 Modbus address**
  - o Because of Modbus: mandatory limit of max. **32 Modbus/EMS BTDIN interfaces** or max. **1000 m of Modbus cable** (cable Belden 9842, Belden 3106A or equivalent) or max. **50 m of Category 6 cable** (FTP or UTP).
- for 1 Modbus/EMS BTDIN Interface (cat. no F80BIM1):
  - o up to **30 EMS BTDIN modules** (e.g. 30 devices grouped per functions with addresses from 1 to 30)

It is possible to assign to several devices the same address with the purpose of grouping different functions, **because they are related to the same electrical circuit**. For example, it is possible to assign the same address to a signalling auxiliary module (cat. no F80BCR), a universal control module (cat. no F80BC), a measuring module, and so on. In this way on the EMS BTDIN display or in a supervision system the grouped function will be displayed as a unique “device” with all grouped functions. *[Refer to the scheme up here]*

## 7. COMPLIANCE AND APPROVALS

### Compliance to standards:

- . Compliance with Directive on electromagnetic compatibility (EMC) n° 2014/30/EU
- . Compliance with low voltage directive n° 2014/35/EU.
- . Electromagnetic Compatibility:  
IEC/EN 61131-2

### Environment respect - Compliance with EU directives:

- . Compliance with Directive 2011/65/EU as amended by Directive 2015/863 (RoHS 2) on the restriction of the use of certain hazardous substances in electrical and electronic equipment.
- . Compliance with REACH regulation (1907/2006): at the date of the publication of this document no element of the SVHC substance list (updated on 27/06/2018) is present in these products.
- . WEEE directive (2012/19/EU): the sale of this product is subject to a contribution to eco-organisations in each country responsible for managing end-of-life products in the field of application of the European Waste Electronic and Electrical Equipment Directive.

### Plastic materials:

- . Halogens-free plastic materials.
- . Marking of parts according to ISO 11469 and ISO 1043.

### Packaging:

- . Design and manufacture of packaging compliant to decree 98-638 of the 20/07/98 and also to directive 94/62/CE.

### Environmental profile:

- . PEP document available