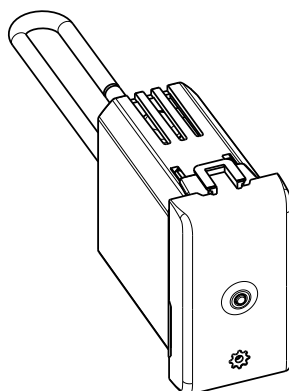


MÀTIX QUINZIÑO^{MX}
Connected socket module

AM4531C
QZ4531C



Use

The connected socket module, wiring to a power outlet, allows to remotely control appliances and check the consumption (instantaneous, daily, monthly). It is also possible to receive notifications in case of anomalous consumption. The connected socket module is compatible with any device electric and large appliances up to 16A, 3680W max (protected against overloads). It is equipped with a LED light lit in blue when it is on. This option can be enabled or disabled in the "Home+Control" app. It can be associated with "wireless light switches". - 1 module.

Range

Designation	Cat. Nos.
Connected socket module.	<input type="checkbox"/> AM4531C
Equipped with an LED indicator.	<input type="checkbox"/> QZ4531C
Hidden reset button used to return to factory settings.	

Colours code:
 White

Connection

Terminal type: screw
 Terminal capacity: 2 x 2.5 mm²
 Stripping length: 7 mm
 Screwdriver: 3 mm flat

Technical characteristics

- Mechanical characteristics

Protection against impacts: IK 04
 Protection against solid bodies/liquids: IP 20

- Material characteristics

Mechanism casing: PC

Halogen-free

UV resistant

Self-extinguishing: + 850°C/30 s for insulating parts holding live parts in place.
 + 650°C/30 s for the other insulating components.

- Electrical characteristics

Voltage: 100/240 V~
 Current: 16 A
 Frequency: 50/60 Hz
 Power: 240 Vac - 3840 cosφ 0,8
 Standby consumption: 1 mA
Zigbee technology 2.4 GHz to 2.4835 GHz
 Power level: REC 70-03: < 20 dBm
 Range: 200 m of unobstructed space
 10 m between products

- Climate characteristics

Storage temperature: 0°C to +45°C
 Usage temperature: +5°C to +45°C

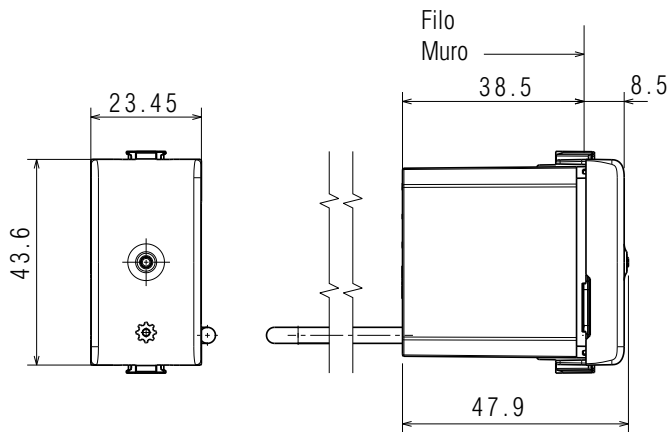
Standards and approvals

Compliant with installation and manufacturing standards.
 See e-catalogue.

The undersigned, BTICINO, declares that the radio-electric equipment type (AM531C-QZ4531C) complies with directive 2014/53/EU.

The full text of the EU declaration of conformity is available on the following website: www.bticino.it/red

Overall dimensions (mm)



Cleaning

Clean the surface with a cloth.
Do not use acetone, tar-removing cleaning agents or trichloroethylene.

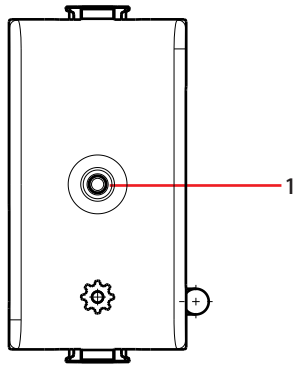
Caution: Always test before using special cleaning products.
The plates must not be painted.



RAEE/WEEE: bticino.com/disposal

Operation

Front view



Legend

1. LED indicator: useful during installation
2. RESET button: used to return to factory settings