

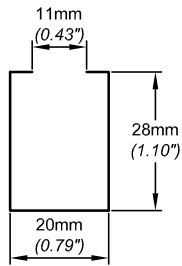
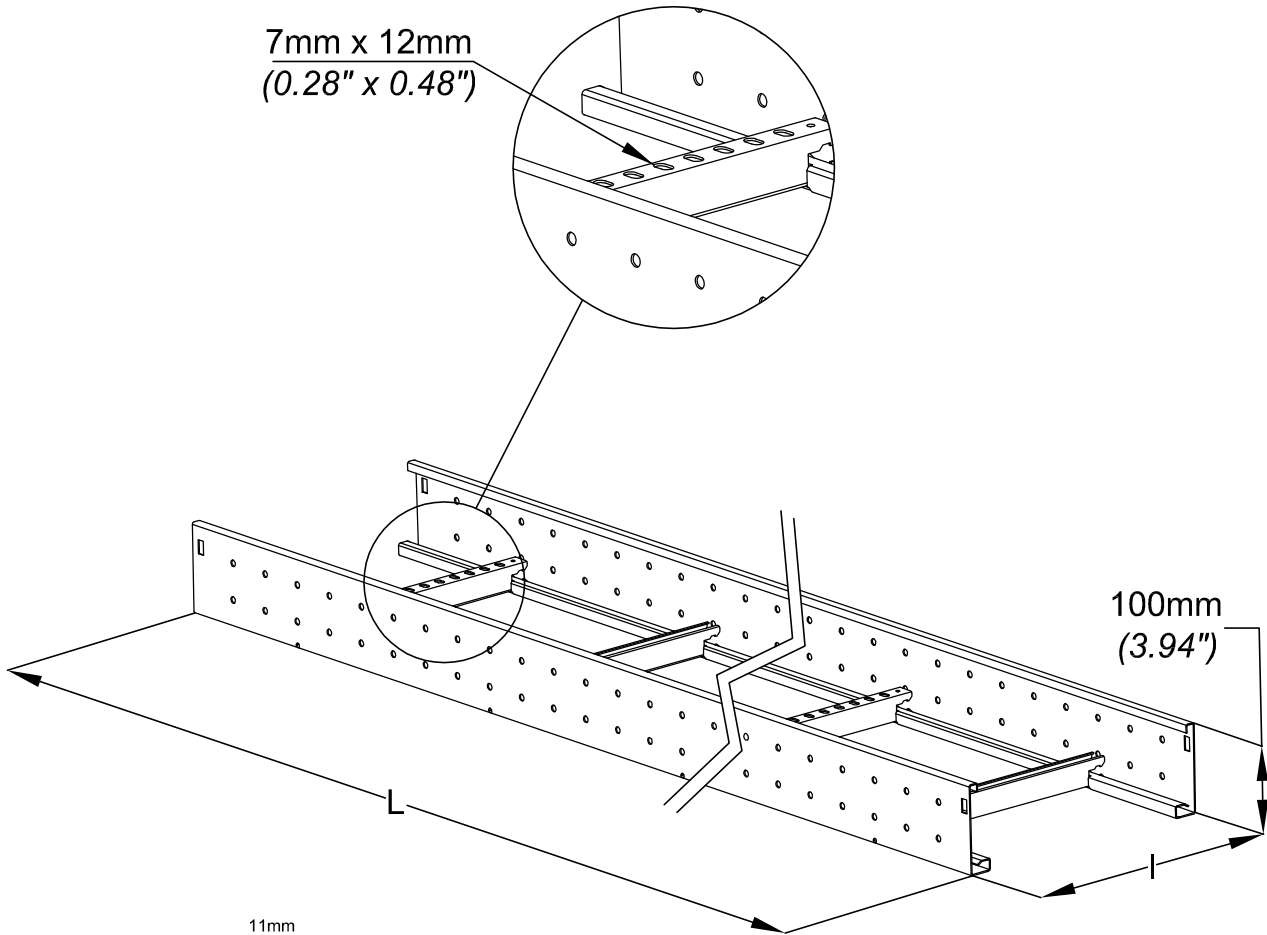
EAC GLO4M100
EAC GLO4M100

GS
PREGALV.

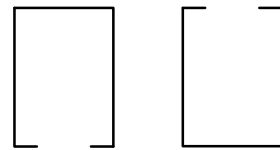
CABLOFIL®
INNOVATORS IN CABLE MANAGEMENT

FT0643-0

10 09



Version moyenne
(Medium version)



Renforts alternés
(reinforcement alternated)

REF	CODE	L (mm)	L (inch)	l (mm)	l (inch)	Poids (kg)	Weight (lb)
GLO4M100/3/200	83 115 32	3000	118,2	200	7,88	10,440	23,12
GLO4M100/3/300	83 115 33	3000	118,2	300	11,82	10,593	23,45
GLO4M100/3/400	83 115 34	3000	118,2	400	15,76	11,019	24,40
GLO4M100/3/500	83 115 35	3000	118,2	500	19,70	11,745	26,00
GLO4M100/3/600	83 115 36	3000	118,2	600	23,64	12,228	27,07
GLO4M100/6/200	83 115 62	6000	236,4	200	7,88	20,394	45,15
GLO4M100/6/300	83 115 63	6000	236,4	300	11,82	21,228	47,00
GLO4M100/6/400	83 115 64	6000	236,4	400	15,76	22,074	48,87
GLO4M100/6/500	83 115 65	6000	236,4	500	19,70	23,532	52,10
GLO4M100/6/600	83 115 66	6000	236,4	600	23,64	24,422	54,07

NORMES / STANDARD

MATIERE / MATERIAL DX 51 D Z235 MAC	EN 10346
PROTECTION / COATING GS / Pregalv.	EN 10346
Epaisseur / Thickness 1,25mm / 0.049"	

Propriété exclusive de CABLOFIL, ne peut être ni copié, ni transmis à des tiers sans autorisation écrite.

Exclusive property of CABLOFIL shouldn't be reproduced or transmitted to any people without written authorization