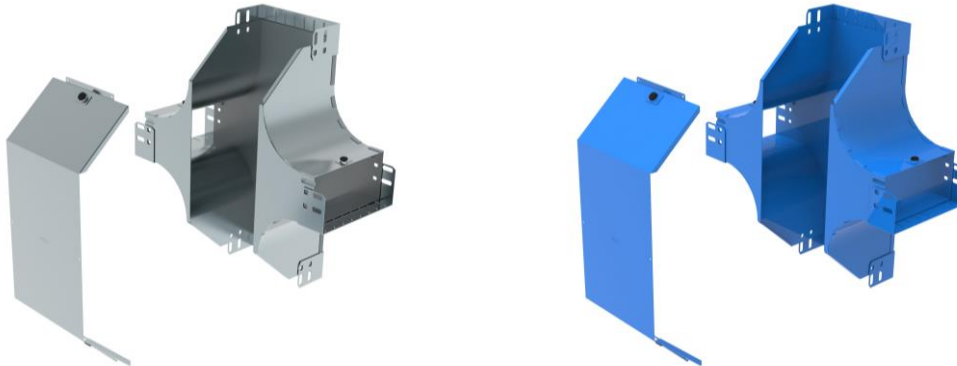


P31 - UPRIGHT CROSS PLANE VARIATION H100

Reference(s): 4803../98/99 / 4804../01/02/03/14
4823../98/99 / 4824../00/01/02/03
4843../98/99 / 4844../00/01/02/03



1. USE

Upright cross plane variation in H100 with cover.

2. RANGE

■ 2.1 Upright cross plane variation PG

Description	Code	Width		Weight		Thickness		Coating	Section	
		(mm)	(inch)	(Kg)	(lb)	(mm)	(inch)		(mm ²)	(inch ²)
P31-UPRIGHT CROSS PLANE VARIATION 100X100 PG	480398	100	3,94	2,22	4,89	1,0	0,04	PG	9506	14,73
P31-UPRIGHT CROSS PLANE VARIATION 100X150 PG	480399	150	5,91	3,81	8,39	1,0	0,04	PG	14356	22,25
P31-UPRIGHT CROSS PLANE VARIATION 100X200 PG	480401	200	7,87	4,71	10,38	1,0	0,04	PG	19206	29,77
P31-UPRIGHT CROSS PLANE VARIATION 100X300 PG	480402	300	11,81	8,11	17,88	1,0	0,04	PG	28906	44,80
P31-UPRIGHT CROSS PLANE VARIATION 100X400 PG	480403	400	15,75	12,94	28,54	1,0	0,04	PG	38606	59,84
P31-UPRIGHT CROSS PLANE VARIATION 100X500 PG	480414	500	19,69	16,44	36,24	1,0	0,04	PG	48306	74,87

■ 2.2 Upright cross plane variation HDG

Description	Code	Width		Weight		Thickness		Coating	Section	
		(mm)	(inch)	(Kg)	(lb)	(mm)	(inch)		(mm ²)	(inch ²)
P31-UPRIGHT CROSS PLANE VARIATION 100X100 HDG	482398	100	3,94	2,40	5,28	1,0	0,04	HDG	9506	14,73
P31-UPRIGHT CROSS PLANE VARIATION 100X150 HDG	482399	150	5,91	4,13	9,11	1,0	0,04	HDG	14356	22,25
P31-UPRIGHT CROSS PLANE VARIATION 100X200 HDG	482400	200	7,87	5,12	11,28	1,0	0,04	HDG	19206	29,77
P31-UPRIGHT CROSS PLANE VARIATION 100X300 HDG	482401	300	11,81	8,84	19,49	1,0	0,04	HDG	28906	44,80
P31-UPRIGHT CROSS PLANE VARIATION 100X400 HDG	482402	400	15,75	14,14	31,16	1,0	0,04	HDG	38606	59,84
P31-UPRIGHT CROSS PLANE VARIATION 100X500 HDG	482403	500	19,69	17,96	39,59	1,0	0,04	HDG	48306	74,87

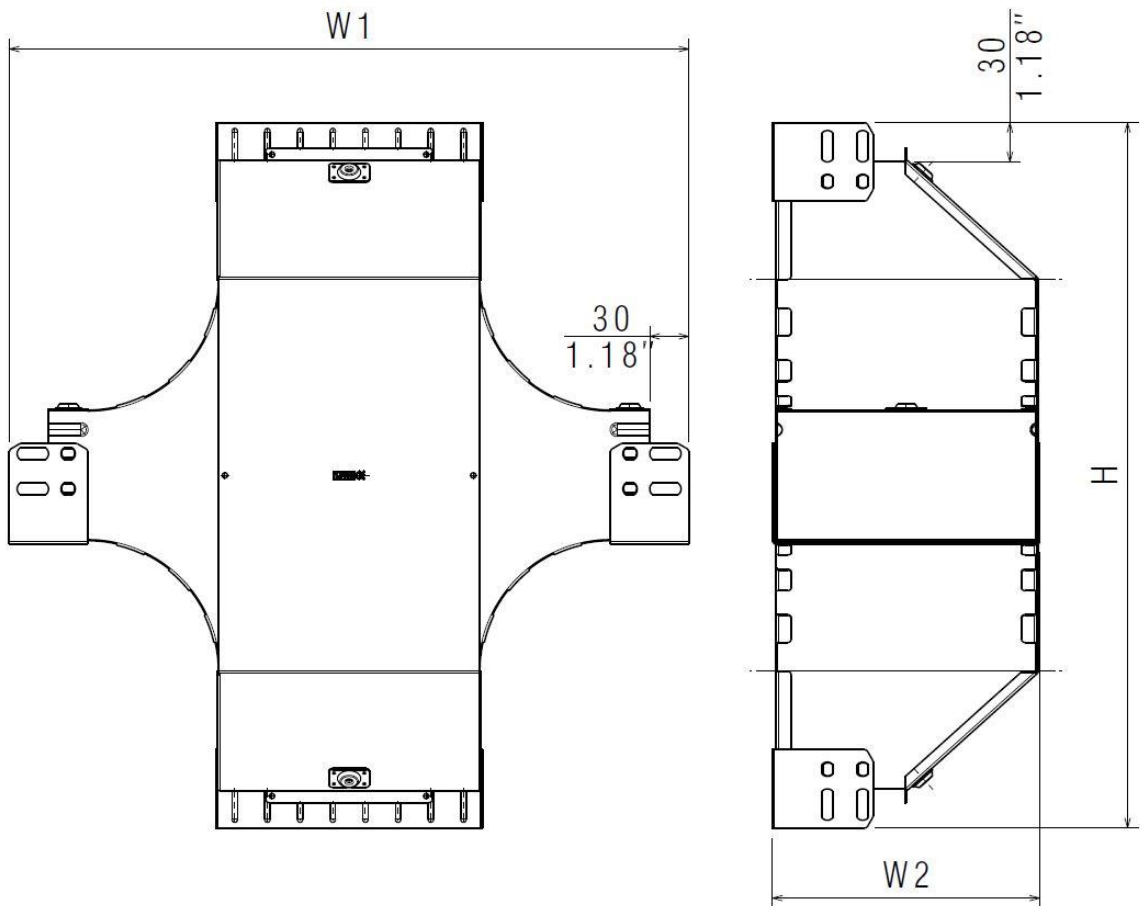
■ 2.3 Upright cross plane variation BLUE

Description	Code	Width		Weight		Thickness		Coating	Section	
		(mm)	(inch)	(Kg)	(lb)	(mm)	(inch)		(mm ²)	(inch ²)
P31-UPRIGHT CROSS PLANE VARIATION 100X100 BLUE	484398	100	3,94	2,22	4,89	1,0	0,04	BLUE	9506	14,73
P31-UPRIGHT CROSS PLANE VARIATION 100X150 BLUE	484399	150	5,91	3,81	8,39	1,0	0,04	BLUE	14356	22,25
P31-UPRIGHT CROSS PLANE VARIATION 100X200 BLUE	484400	200	7,87	4,71	10,38	1,0	0,04	BLUE	19206	29,77
P31-UPRIGHT CROSS PLANE VARIATION 100X300 BLUE	484401	300	11,81	8,11	17,88	1,0	0,04	BLUE	28906	44,80
P31-UPRIGHT CROSS PLANE VARIATION 100X400 BLUE	484402	400	15,75	12,94	28,54	1,0	0,04	BLUE	38606	59,84
P31-UPRIGHT CROSS PLANE VARIATION 100X500 BLUE	484403	500	19,69	16,44	36,24	1,0	0,04	BLUE	48306	74,87

3. DIMENSIONS

■ 3.1 Upright cross plane variation

Description	Width 1 (W1)		Width 2 (W2)		Height (H)	
	(mm)	(inch)	(mm)	(inch)	(mm)	(inch)
P31-UPRIGHT CROSS PLANE VARIATION 100X100	420	16,54	106	4,17	420	16,54
P31-UPRIGHT CROSS PLANE VARIATION 100X150	470	18,50	156	6,14	540	21,26
P31-UPRIGHT CROSS PLANE VARIATION 100X200	520	20,47	206	8,11	540	21,26
P31-UPRIGHT CROSS PLANE VARIATION 100X300	620	24,41	306	12,05	660	25,98
P31-UPRIGHT CROSS PLANE VARIATION 100X400	860	33,86	406	15,98	760	29,92
P31-UPRIGHT CROSS PLANE VARIATION 100X500	960	37,80	506	19,92	860	33,86



4. INSTALLATION

■ 4.1 Screw and tools

Use screws M6x12 tightened at 11Nm

Reference(s): 341895 / 03V1M610Z (PG)

485035 (Zn-Ni)

346895/ 03V1M610L (SS316L)

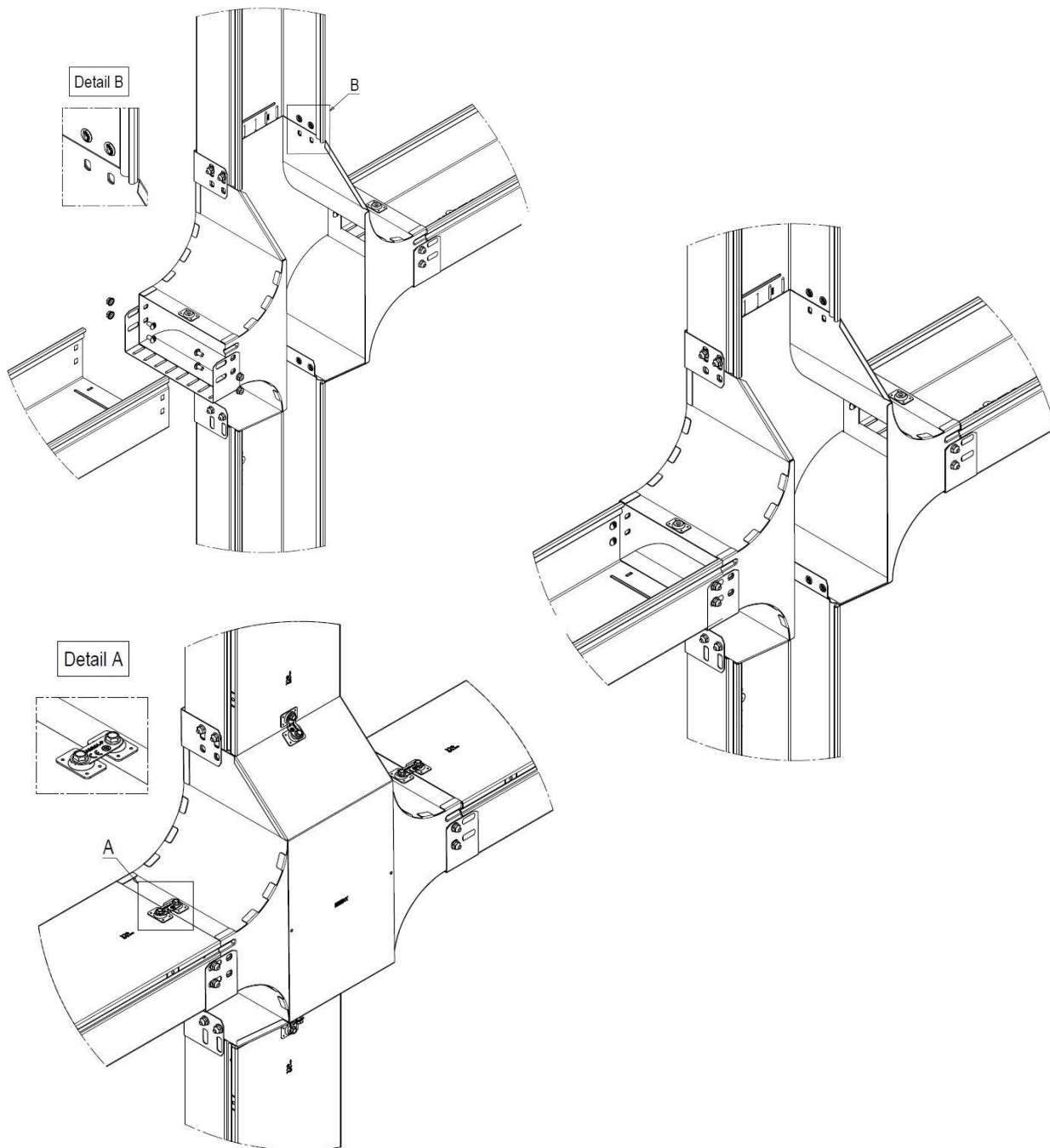
341708 / 31X99X999 (PG)

346474 / 31X99X99X (SS316L)

■ 4.2 Fitting to cable tray

Upright cross plane variation in height 100 are assembled using 16 screws M6x12 on the sides.

Join all covers by earth connection using copper plate or cable to guarantee electrical continuity.



5. TECHNICAL DATA

■ 5.1 Climatic characteristics

Storage and operating temperature: - 20° C à + 120° C

■ 5.2 Material characteristics

Material finish	Material	Standard	Resistance class against corrosion
PG	DX51D + Z200	EN 10346	Classe 3 - CEI 61537
BLUE	DX51D + Z200	EN 10346	Classe 3 - CEI 61537
HDG	DC 01	EN 10130	Classe 6 - CEI 61537
SS304	X5CrNi18-10	EN 10 088-2	Classe 9A - CEI 61537
SS316L	X2CrNiMo17-12-2	EN 10 088-2	Classe 9B - CEI 61537

6. CONFORMITY - CERTIFICATION

Comply with CEI 61537 Cable tray systems

Certification: CE, IMQ