

P31 - BRANCH H100 + COVER

Reference(s): 4807../61/62/63/64/65/66/67



1. USE

Branch in H100 with blind bottom.

2. RANGE BLIND

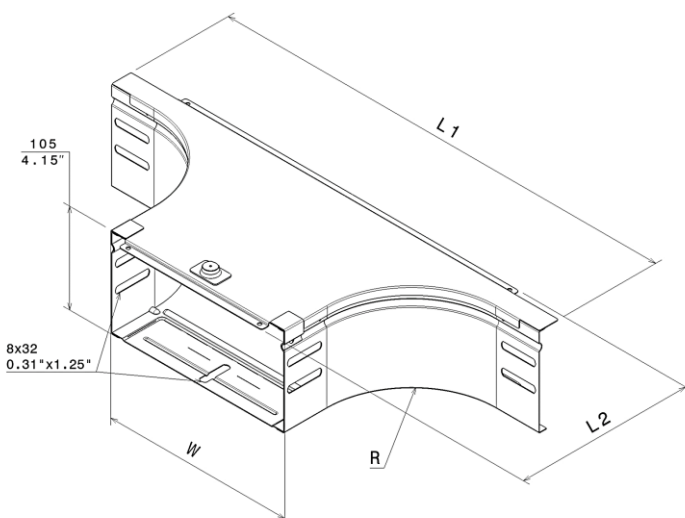
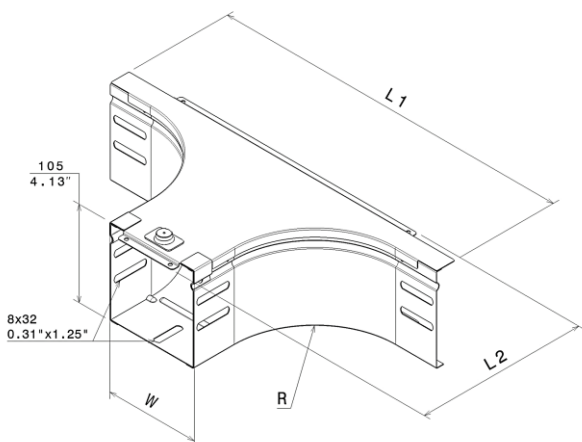
■ 2.1 BRANCH H100 blind PG

Description	Code	Width		Weight		Thickness		Coating	Section	
		(mm)	(inch)	(Kg)	(lb)	(mm)	(inch)		(mm ²)	(inch ²)
P31-BRANCH 100X100 PG	480761	100	3,94	0,70	1,55	0,7	0,03	PG	10193	15,80
P31-BRANCH 100X150 PG	480762	150	5,91	0,80	1,77	0,7	0,03	PG	15258	23,65
P31-BRANCH 100X200 PG	480763	200	7,87	0,91	2,00	0,7	0,03	PG	20323	31,50
P31-BRANCH 100X300 PG	480764	300	11,81	1,11	2,44	0,7	0,03	PG	30453	47,20
P31-BRANCH 100X400 PG	480765	400	15,75	1,31	2,88	0,7	0,03	PG	40583	62,90
P31-BRANCH 100X500 PG	480766	500	19,69	1,50	3,31	0,7	0,03	PG	50713	78,61
P31-BRANCH 100X600 PG	480767	600	23,62	1,70	3,75	0,7	0,03	PG	60843	94,31

3. DIMENSIONS (mm/inch)

■ **3.1 Fitting dimensions**

Description	Width		Radius		L1		L2	
	(mm)	(inch)	(mm)	(inch)	(mm)	(inch)	(mm)	(inch)
P31-BRANCH 100X100	104	4,09	100	3,94	401	15,79	190	7,48
P31-BRANCH 100X150	154	6,06	100	3,94	451	17,76	190	7,48
P31-BRANCH 100X200	204	8,03	100	3,94	501	19,72	190	7,48
P31-BRANCH 100X300	304	11,97	100	3,94	601	23,66	190	7,48
P31-BRANCH 100X400	404	15,91	100	3,94	701	27,60	190	7,48
P31-BRANCH 100X500	504	19,84	100	3,94	801	31,54	190	7,48
P31-BRANCH 100X600	604	23,78	100	3,94	901	35,47	190	7,48



4. INSTALLATION

■ 4.1 Screw and tools

Use screws M6x12 tightened at 11Nm

Reference(s): 341895 / 03V1M610Z (PG)

485035 (Zn-Ni)

346895/ 03V1M610L (SS316L)

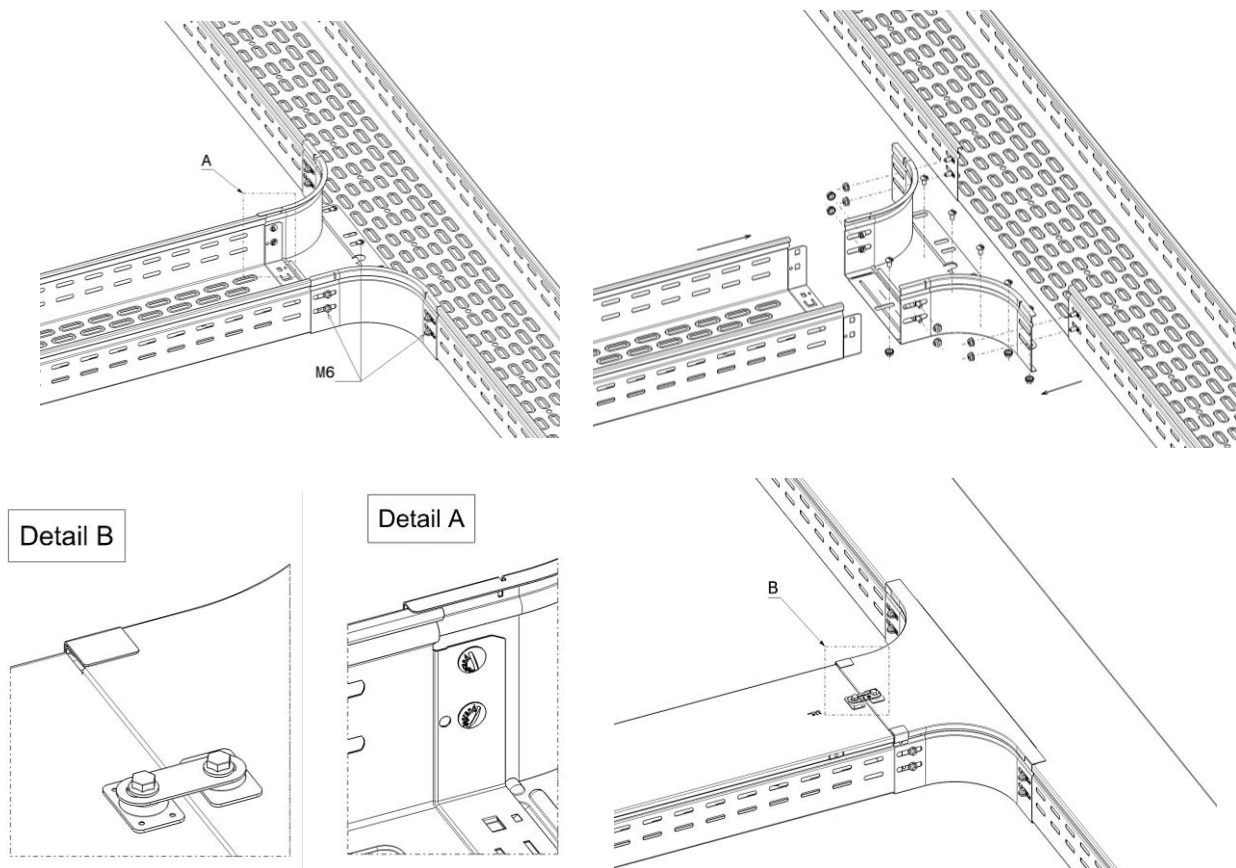
341708 / 31X99X999 (PG)

346474 / 31X99X99X (SS316L)

■ 4.2 Fitting to cable tray

Branch height 100 are assembled using 14 screws M6x12 on the side and on the bottom.

The screws in the middle is optional up to and included width 300mm.



5. TECHNICAL DATA

■ 5.1 Climatic characteristics

Storage and operating temperature: - 20° C à + 120° C

■ 5.2 Material characteristics

Material finish	Material	Standard	Resistance class against corrosion
PG	DX51D + Z200	EN 10346	Classe 3 - CEI 61537
BLUE	DX51D + Z200	EN 10346	Classe 3 - CEI 61537
HDG	DC 01	EN 10130	Classe 6 - CEI 61537
SS304	X5CrNi18-10	EN 10 088-2	Classe 9A - CEI 61537
SS316L	X2CrNiMo17-12-2	EN 10 088-2	Classe 9B - CEI 61537

6. CONFORMITY - CERTIFICATION

Comply with CEI 61537 Cable tray systems

Certification: CE, IMQ