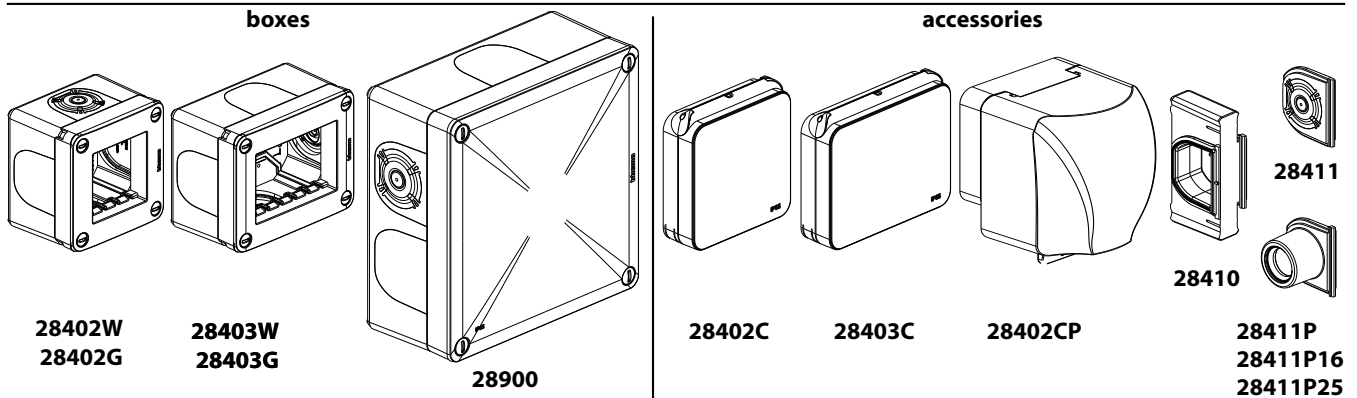


## MatixGo Wall-mounting boxes & accessories

28402W - 28402G  
28403W - 28403G  
28402C - 28403C - 28402CP  
28410  
28411 - 28411P - 28411P16 - 28411P25  
28900



### Use

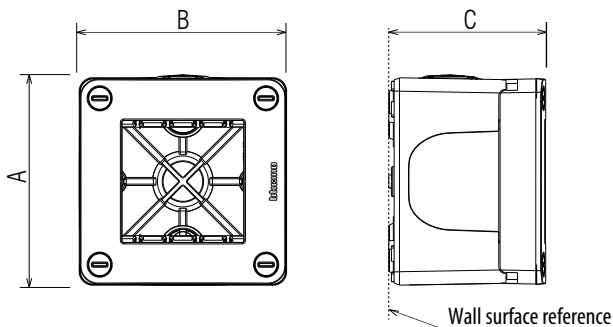
Wall-mounting boxes for installation MatixGo range wiring devices.  
Accessories can be added to improve waterproof protection to IP55 grade.  
Accessory can be used to quick join multiple boxes.  
Pipes can be fixed in directly through the cable gland supply with the box or by cable gland with conduit clamp accessory for pipes 16mm, 20mm and 25mm

### Range

Designation	Cat. Nos.
Box 2 modules	<input type="checkbox"/> 28402W
	<input checked="" type="checkbox"/> 28402G
Box 3 modules	<input type="checkbox"/> 28403W
	<input checked="" type="checkbox"/> 28403G
IP55 cover - 2 modules	<input checked="" type="checkbox"/> 28402C
IP55 cover - 3 modules	<input checked="" type="checkbox"/> 28403C
IP55 cover - 2 modules for plug inserted (the IP protection rate is guarantee when plugs is in and cover is closed)	<input checked="" type="checkbox"/> 28402CP
Coupler	<input checked="" type="checkbox"/> 28410
Cable gland	<input checked="" type="checkbox"/> 28411
Cable gland with conduit clamp 20 mm	<input checked="" type="checkbox"/> 28411P
Cable gland with conduit clamp 16 mm	<input checked="" type="checkbox"/> 28411P16
Cable gland with conduit clamp 25 mm	<input checked="" type="checkbox"/> 28411P25
IP55 wall-mounting junction boxes	<input checked="" type="checkbox"/> 28900

Colours code:  White  Grey

### Overall dimensions (mm)



	A	B	C
28402W, 28402G	77,3	77,3	57,5
28403W, 28403G	77,3	99,8	57,5
28900	124,8	124,8	57,5

### Technical characteristics

- **Protection index**
  - considering a complete installation, penetration by solid bodies/liquid: IP40
  - considering a complete installation with accessory IP55 cover, penetration by solid bodies/liquid: IP55

### - Mechanical characteristics

Impact test: IK 08

### - Material characteristics

Materials:

- Box, coupler and cable glands : PP (polypropylene) + SEBS for gasket
- IP55 cover 28402C and 28403C : body in PC (polycarbonate) with fiber glass + SEBS for gasket , door rigid part in PC (polycarbonate) + flexible part acrylic block copolymer elastomer.
- IP55 cover 28402CP: body and handle in PC (polycarbonate) with fiber glass , door in PC (polycarbonate) , gasket in SILICONE

UV resistant. Halogen free.

Self-extinguishing:

650° C / 30 s for parts made of insulating materials

### - Climatic characteristics

Storage temperature: - 10° C to + 70° C

Use temperature: - 5° C to + 35° C

### Standards and approvals

Compliance with standards IEC CEI EN 60670-1

Refer to e.catalogue.

### Cleaning

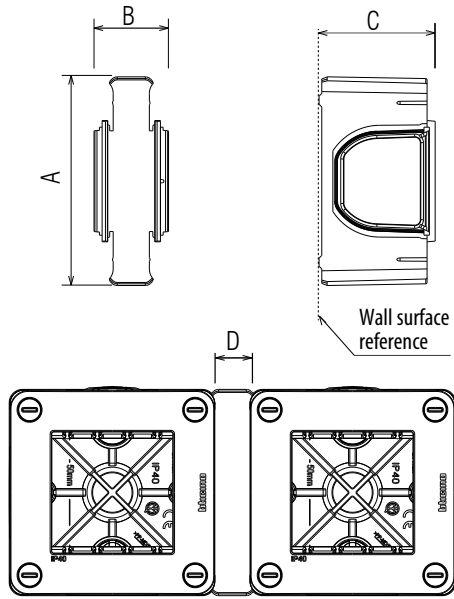
Clean the surface with a cloth.

Do not use acetone, tar-removing cleaning agents or trichloroethylene.

**Caution: Always test before using special cleaning products.**

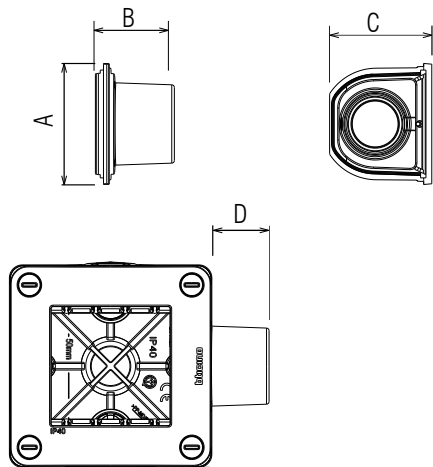
The plates must not be painted.

Accessory coupler 28410



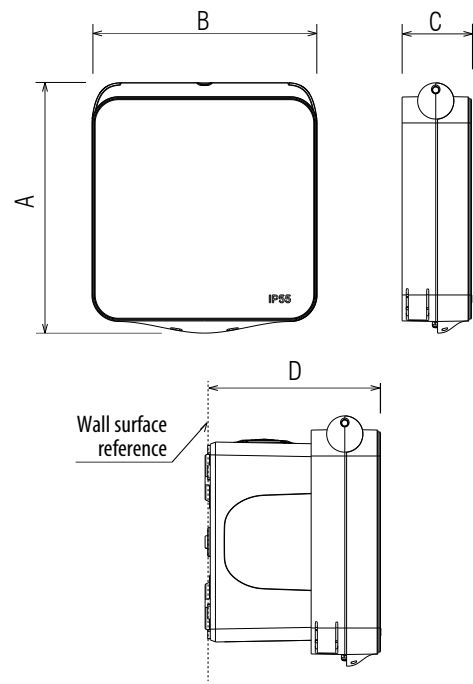
	A	B	C	D
28410	77,3	27,6	43	12,7

Accessory cable gland with conduit clamp 28411P..



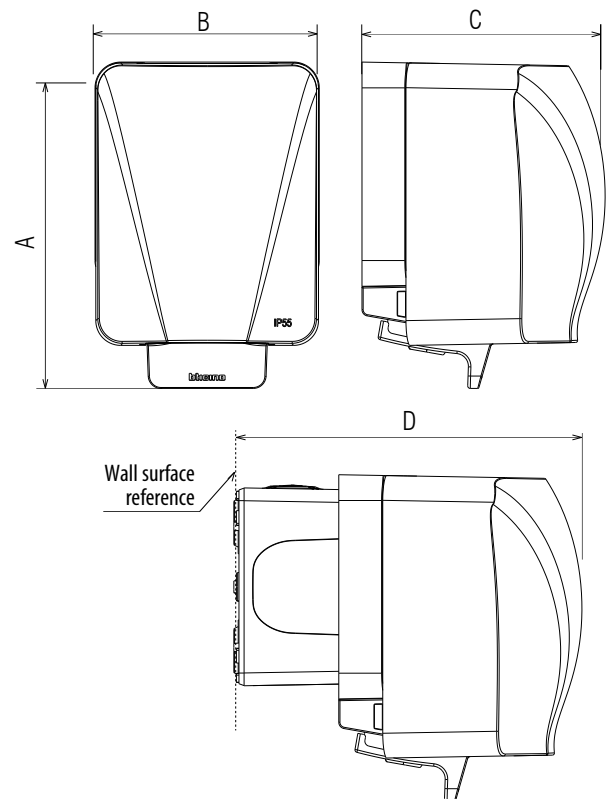
	A	B	C	D
28411P - 28411P16 - 28411P25	44,9	29,3	37,9	21,9

Accessory IP55 cover 28402C-28403C



	A	B	C	D
28402C	96,7	87	26,8	66,8
28403C	96,7	109,5	26,8	66,8

Accessory IP55 cover 28402CP



	A	B	C	D
28402CP	127,5	87	95	135