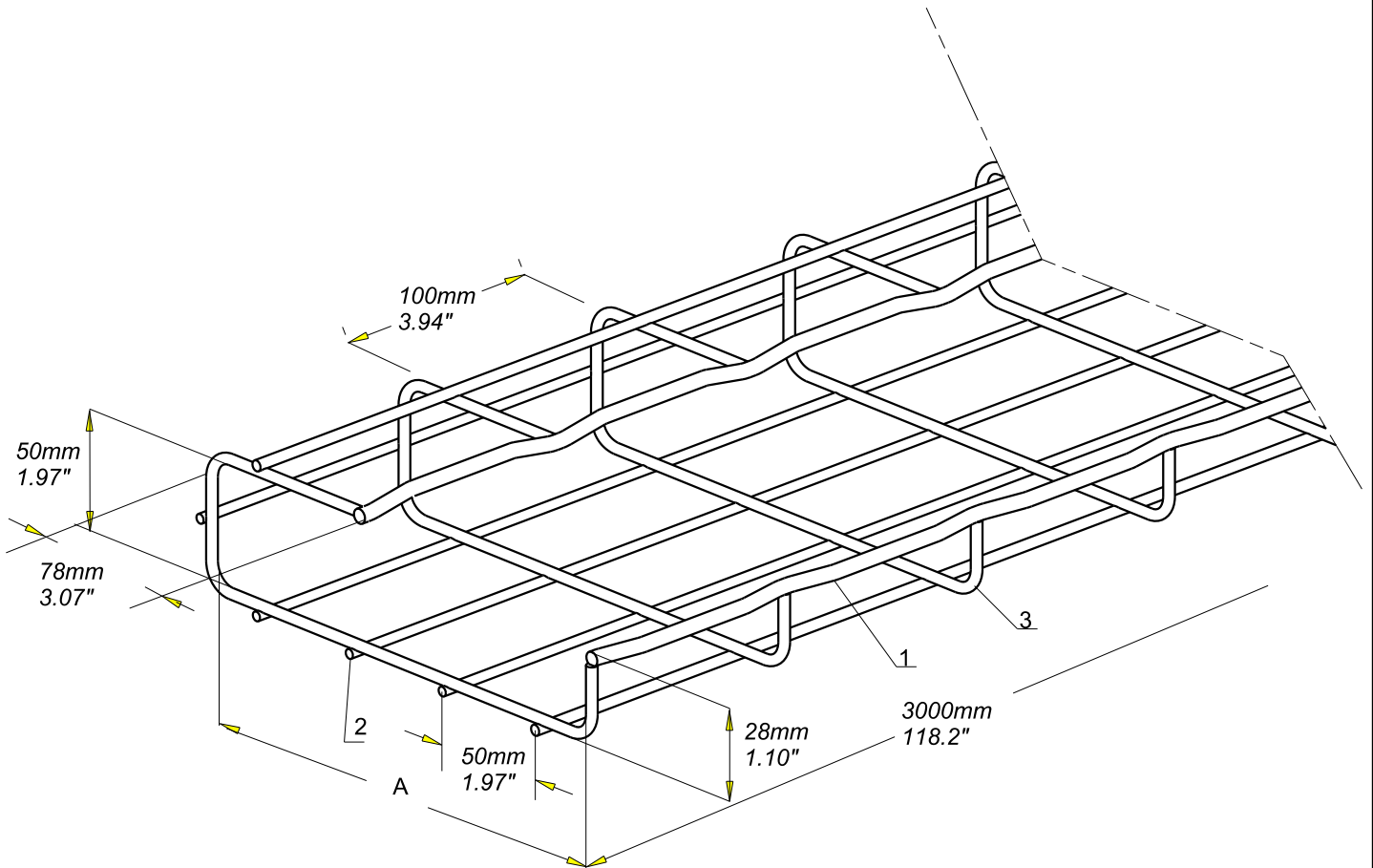


FT0025-1

07-17



	Ø 1		Ø 2		Ø 3	
	mm	inch	mm	inch	mm	inch
CFG50-100	4.4	0.173	3.9	0.154	4.4	0.173
CFG50-150	4.4	0.173	3.9	0.154	4.4	0.173
CFG50-200	5.9	0.232	3.9	0.154	4.4	0.173

REF	CODE	POIDS WEIGHT		A	
		kg/m	lb/ft	mm	inch
CFG50-100	003 221	0.945	0.636	100	3.937
CFG50-150	003 231	1.105	0.743	150	5.905
CFG50-200	003 241	1.409	0.948	200	7.874

NORME / STANDARD	
MATIERE / MATERIAL C4D TO C9D	EN ISO 16120-2
PROTECTION / COATING Fe / Zn12 / A	Class 3 according to CEI 61537