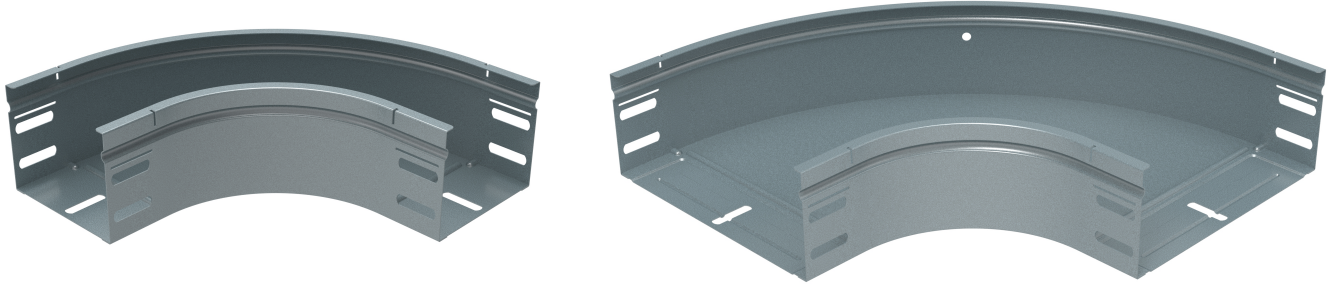


P31 - FLAT BEND 90° H75

Reference(s): BI../075Z/100Z/150Z/200Z/300Z/400Z/500Z/600Z
BI../075C/100C/150C/200C/300C/400C/500C/600C
BI../075L/100L/150L/200L/300L/400L/500L/600L



1. USE

Flat bend 90° in H75 with blind bottom

2. RANGE BLIND

■ 2.1 Flat bend 90° H75 PG

Description	Code	Width		Weight		Thickness		Coating	Section	
		(mm)	(inch)	(Kg)	(lb)	(mm)	(inch)		(mm ²)	(inch ²)
P31- FLAT BEND 90D 75X75 PG	BI075Z	77	3,03	0,47	1,03	0,7	0,028	PG	6107	9,47
P31- FLAT BEND 90D 75X100 PG	BI100Z	100	3,94	0,54	1,19	0,7	0,028	PG	7908	12,26
P31- FLAT BEND 90D 75X150 PG	BI150Z	150	5,91	0,71	1,56	0,7	0,028	PG	11823	18,33
P31- FLAT BEND 90D 75X200 PG	BI200Z	200	7,87	0,90	1,98	0,7	0,028	PG	15738	24,39
P31- FLAT BEND 90D 75X300 PG	BI300Z	300	11,81	1,34	2,96	0,7	0,028	PG	23568	36,53
P31- FLAT BEND 90D 75X400 PG	BI400Z	400	15,75	1,87	4,13	0,7	0,028	PG	31398	48,67
P31- FLAT BEND 90D 75X500 PG	BI500Z	500	19,69	2,49	5,49	0,7	0,028	PG	39228	60,80
P31- FLAT BEND 90D 75X600 PG	BI600Z	600	23,62	3,20	7,05	0,7	0,028	PG	47058	72,94

■ 2.2 Flat bend 90° H75 HDG

Description	Code	Width		Weight		Thickness		Coating	Section	
		(mm)	(inch)	(Kg)	(lb)	(mm)	(inch)		(mm ²)	(inch ²)
P31- FLAT BEND 90D 75X75 HDG	BI075C	77	3,03	0,52	1,14	0,7	0,028	HDG	6107	9,47
P31- FLAT BEND 90D 75X100 HDG	BI100C	100	3,94	0,59	1,31	0,7	0,028	HDG	7908	12,26
P31- FLAT BEND 90D 75X150 HDG	BI150C	150	5,91	0,78	1,72	0,7	0,028	HDG	11823	18,33
P31- FLAT BEND 90D 75X200 HDG	BI200C	200	7,87	0,99	2,18	0,7	0,028	HDG	15738	24,39
P31- FLAT BEND 90D 75X300 HDG	BI300C	300	11,81	1,48	3,26	0,7	0,028	HDG	23568	36,53
P31- FLAT BEND 90D 75X400 HDG	BI400C	400	15,75	2,06	4,55	0,7	0,028	HDG	31398	48,67
P31- FLAT BEND 90D 75X500 HDG	BI500C	500	19,69	2,74	6,05	0,7	0,028	HDG	39228	60,80
P31- FLAT BEND 90D 75X600 HDG	BI600C	600	23,62	3,52	7,75	0,7	0,028	HDG	47058	72,94

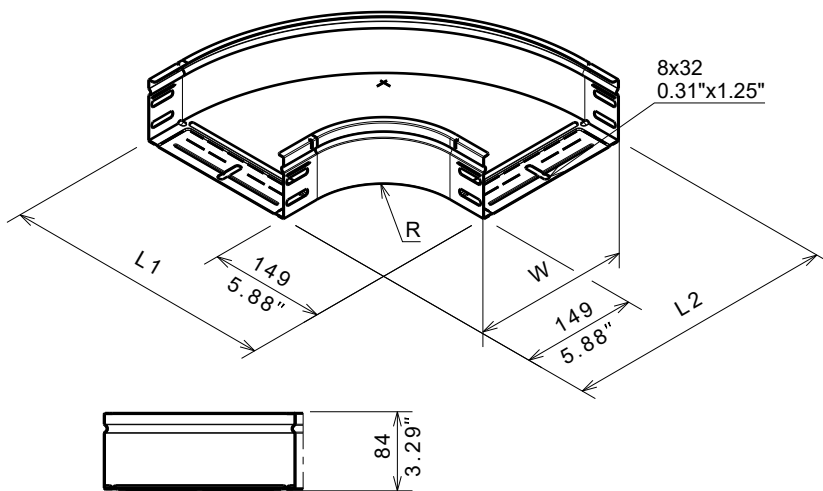
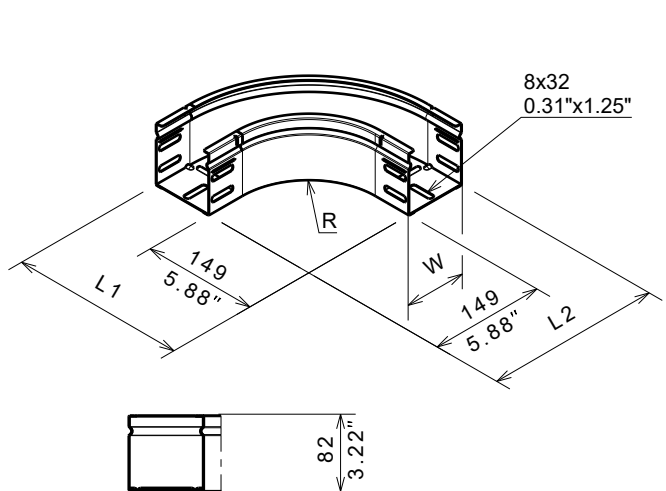
■ 2.4 Flat bend 90° H75 SS316L

Description	Code	Width		Weight		Thickness		Coating	Section	
		(mm)	(inch)	(Kg)	(lb)	(mm)	(inch)		(mm ²)	(inch ²)
P31- FLAT BEND 90D 75X75 SS 316L	BI075L	77	3,03	0,47	1,03	0,7	0,028	SS 316L	6107	9,47
P31- FLAT BEND 90D 75X100 SS 316L	BI100L	100	3,94	0,54	1,19	0,7	0,028	SS 316L	7908	12,26
P31- FLAT BEND 90D 75X150 SS 316L	BI150L	150	5,91	0,71	1,56	0,7	0,028	SS 316L	11823	18,33
P31- FLAT BEND 90D 75X200 SS 316L	BI200L	200	7,87	0,90	1,98	0,7	0,028	SS 316L	15738	24,39
P31- FLAT BEND 90D 75X300 SS 316L	BI300L	300	11,81	1,34	2,96	0,7	0,028	SS 316L	23568	36,53
P31- FLAT BEND 90D 75X400 SS 316L	BI400L	400	15,75	1,87	4,13	0,7	0,028	SS 316L	31398	48,67
P31- FLAT BEND 90D 75X500 SS 316L	BI500L	500	19,69	2,49	5,49	0,7	0,028	SS 316L	39228	60,80
P31- FLAT BEND 90D 75X600 SS 316L	BI600L	600	23,62	3,20	7,05	0,7	0,028	SS 316L	47058	72,94

3. DIMENSIONS (mm/inch)

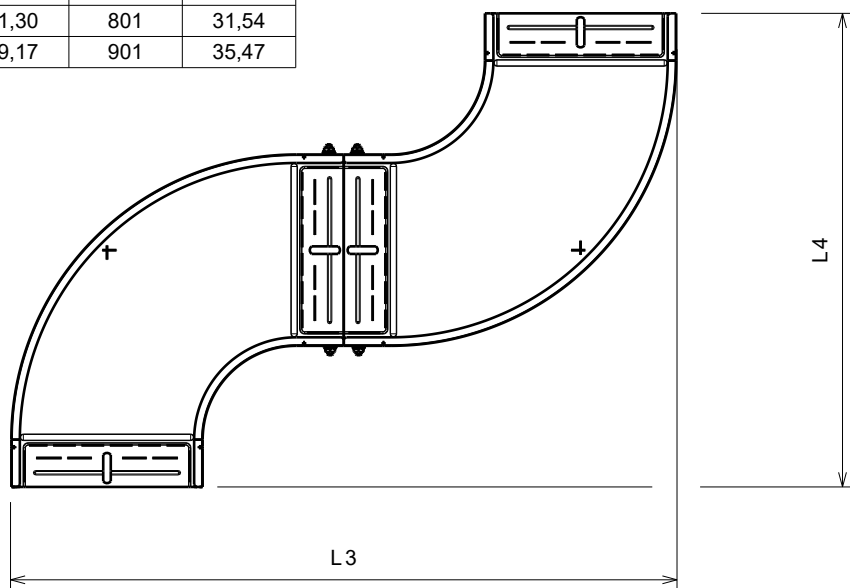
3.1 Fitting dimension

Description	Width		Radius		L1		L2	
	(mm)	(inch)	(mm)	(inch)	(mm)	(inch)	(mm)	(inch)
P31-FLAT BEND 90D 75X75	81	3,19	100	3,94	229	9,02	229	9,02
P31-FLAT BEND 90D 75X100	104	4,09	100	3,94	252	9,92	252	9,92
P31-FLAT BEND 90D 75X150	154	6,06	100	3,94	302	11,89	302	11,89
P31-FLAT BEND 90D 75X200	204	8,03	100	3,94	352	13,86	352	13,86
P31-FLAT BEND 90D 75X300	304	11,97	100	3,94	452	17,80	452	17,80
P31-FLAT BEND 90D 75X400	404	15,91	100	3,94	552	21,73	552	21,73
P31-FLAT BEND 90D 75X500	504	19,84	100	3,94	652	25,67	652	25,67
P31-FLAT BEND 90D 75X600	604	23,78	100	3,94	752	29,61	752	29,61



3.2 Fitting to fitting dimension

Description	L3		L4	
	(mm)	(inch)	(mm)	(inch)
P31-FLAT BEND 90D 75X75	457	17,99	378	14,88
P31-FLAT BEND 90D 75X100	503	19,80	401	15,79
P31-FLAT BEND 90D 75X150	603	23,74	451	17,76
P31-FLAT BEND 90D 75X200	703	27,68	501	19,72
P31-FLAT BEND 90D 75X300	903	35,55	601	23,66
P31-FLAT BEND 90D 75X400	1103	43,43	701	27,60
P31-FLAT BEND 90D 75X500	1303	51,30	801	31,54
P31-FLAT BEND 90D 75X600	1503	59,17	901	35,47



4. INSTALLATION

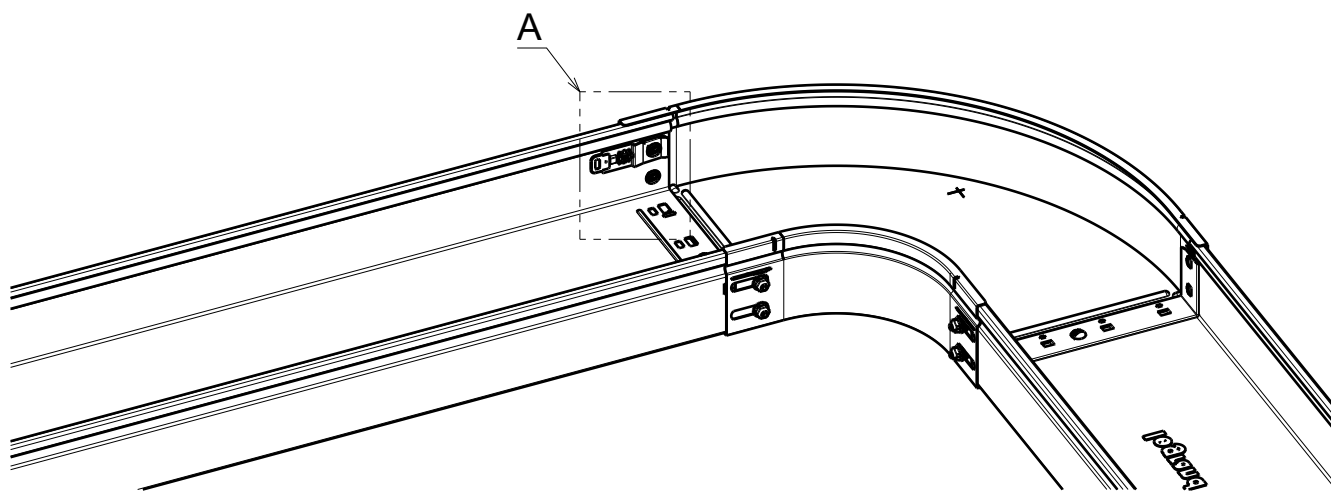
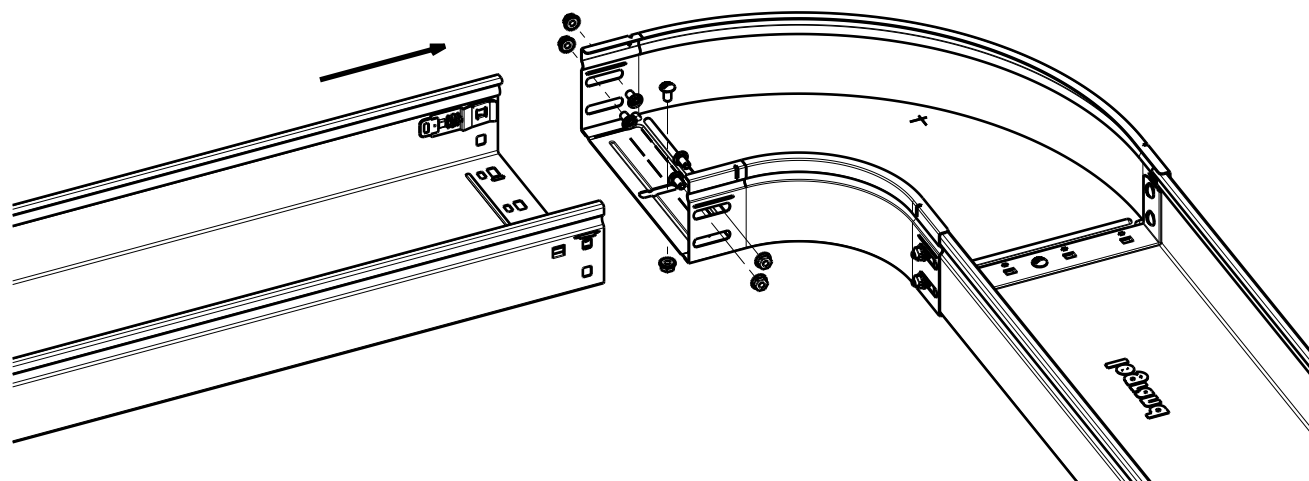
■ 4.1 Screw

Use screws M6x12 tightened at 11Nm

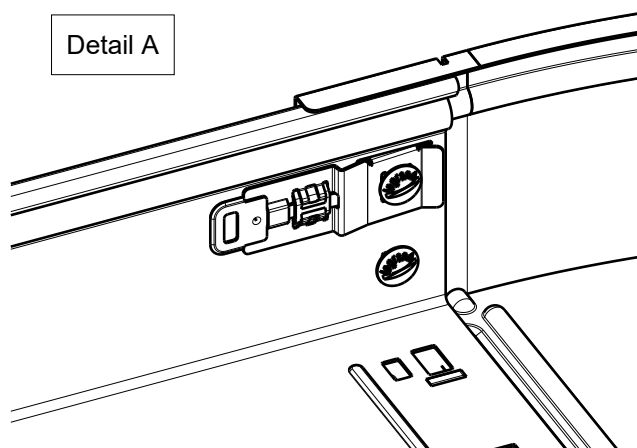
Reference(s): 341895/ 03V1M610Z (PG)
 485035 (Zn-Ni)
 346895/ 03V1M610L (SS316L)

■ 4.2 Fitting to cable tray

Flat bend height 75 are assembled using 10 screws M6x12 on the side and on the bottom.
 The screws in the middle are optional up to and included width 300mm.

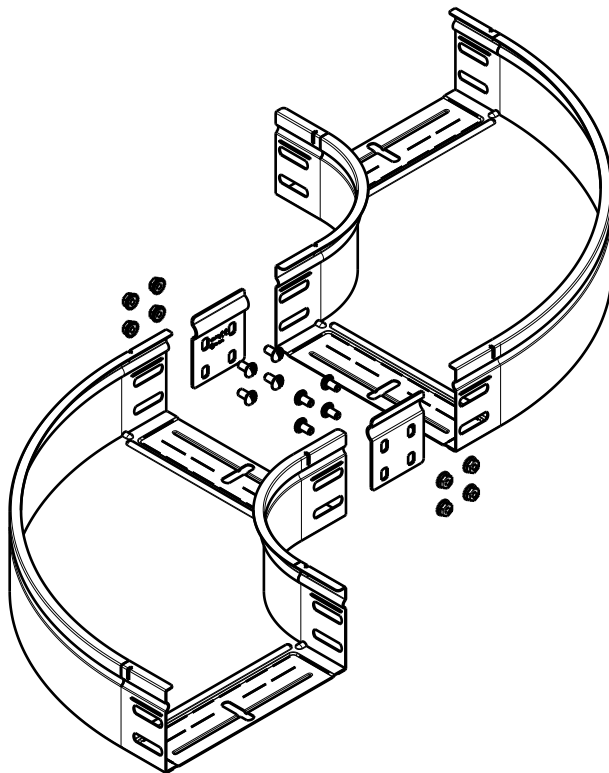


Detail A



■ 5.3 Fitting to fitting

Slide together the two fittings and add 2pc of EA height 75-100 (X9G71Z,C,L) coupler using 4 screws M6x12 on each coupler.



6. TECHNICAL DATA

■ 6.1 Climatic characteristics

Storage and operating temperture : - 20° C à + 120° C

■ 6.2 Material characteristics

Material finish	Material	Standard	Resistance class against corrosion
PG	DX51D + Z200	EN 10346	Classe 3 - CEI 61537
BLUE	DX51D + Z200	EN10346	Classe 3 - CEI 61537
HDG	DC 01	EN 10130	Classe 6 - CEI 61537
SS304	X5CrNi18-10	EN 10 088-2	Classe 9A - CEI 61537
SS316L	X2CrNiMo17-12-2	EN 10 088-2	Classe 9B - CEI 61537

7. CONFORMITY - CERTIFICATION

Comply with CEI 61537 Cable tray systems

Certification: CE, IMQ