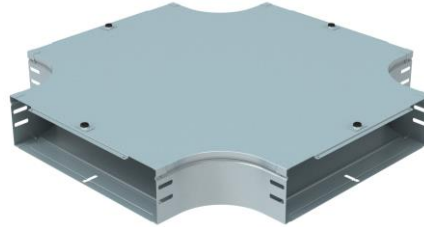


## P31- 4 WAY CROSSPIECE H100 + COVER

Reference(s): 4806../12/13/14/15/16/17/736  
4826../12/13/14/15/16/17/736  
4846../12/13/14/15/16/17



### 1. USE

4 Way Crosspiece in H100 with blind bottom.

### 2. RANGE BLIND

#### ■ 2.1 4 WAY CROSSPIECE H100 blind PG

Description	Code	Width		Weight		Thickness		Coating	Section	
		(mm)	(inch)	(Kg)	(lb)	(mm)	(inch)		(mm <sup>2</sup> )	(inch <sup>2</sup> )
P31-4 WAY CROSS. 100X100 PG	480612	100	3,94	1,66	3,66	0,7	0,03	PG	10193	15,80
P31-4 WAY CROSS. 100X150 PG	480613	150	5,91	2,15	4,73	0,7	0,03	PG	15258	23,65
P31-4 WAY CROSS. 100X200 PG	480614	200	7,87	2,69	5,93	0,7	0,03	PG	20323	31,50
P31-4 WAY CROSS. 100X300 PG	480615	300	11,81	3,93	8,66	0,7	0,03	PG	30453	47,20
P31-4 WAY CROSS. 100X400 PG	480616	400	15,75	5,37	11,83	0,7	0,03	PG	40583	62,90
P31-4 WAY CROSS. 100X500 PG	480617	500	19,69	7,03	15,49	0,7	0,03	PG	50713	78,61
P31-4 WAY CROSS. 100X600 PG	480736	600	23,62	8,90	19,63	0,7	0,03	PG	60843	94,31

#### ■ 2.2 4 WAY CROSSPIECE H100 blind HDG

Description	Code	Width		Weight		Thickness		Coating	Section	
		(mm)	(inch)	(Kg)	(lb)	(mm)	(inch)		(mm <sup>2</sup> )	(inch <sup>2</sup> )
P31-4 WAY CROSS. 100X100 HDG	482612	100	3,94	1,83	4,03	0,7	0,03	HDG	10193	15,80
P31-4 WAY CROSS. 100X150 HDG	482613	150	5,91	2,36	5,20	0,7	0,03	HDG	15258	23,65
P31-4 WAY CROSS. 100X200 HDG	482614	200	7,87	2,96	6,52	0,7	0,03	HDG	20323	31,50
P31-4 WAY CROSS. 100X300 HDG	482615	300	11,81	4,32	9,53	0,7	0,03	HDG	30453	47,20
P31-4 WAY CROSS. 100X400 HDG	482616	400	15,75	5,90	13,02	0,7	0,03	HDG	40583	62,90
P31-4 WAY CROSS. 100X500 HDG	482617	500	19,69	7,73	17,04	0,7	0,03	HDG	50713	78,61
P31-4 WAY CROSS. 100X600 HDG	482736	600	23,62	9,79	21,59	0,7	0,03	HDG	60843	94,31

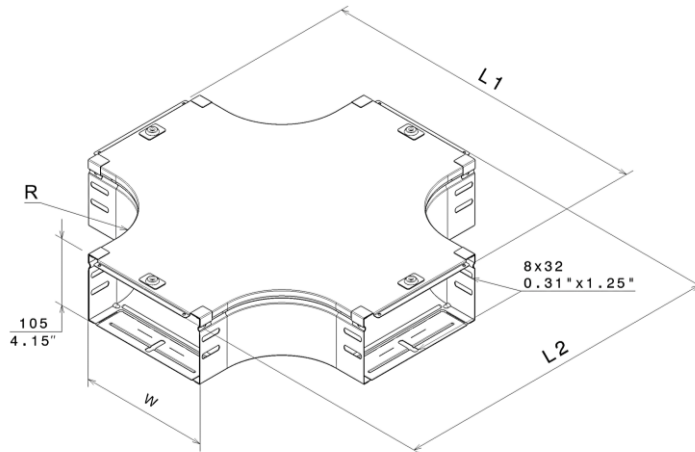
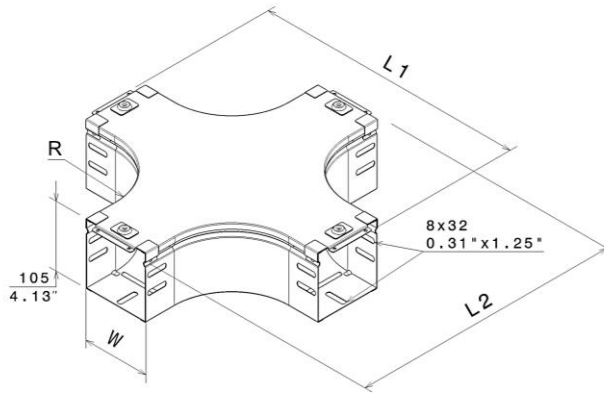
#### ■ 2.3 4 WAY CROSSPIECE H100 BLUE

Description	Code	Width		Weight		Thickness		Coating	Section	
		(mm)	(inch)	(Kg)	(lb)	(mm)	(inch)		(mm <sup>2</sup> )	(inch <sup>2</sup> )
P31-4 WAY CROSS. 100X100 BLUE	484612	100	3,94	1,66	3,66	0,7	0,03	BLUE	10193	15,80
P31-4 WAY CROSS. 100X150 BLUE	484613	150	5,91	2,15	4,73	0,7	0,03	BLUE	15258	23,65
P31-4 WAY CROSS. 100X200 BLUE	484614	200	7,87	2,69	5,93	0,7	0,03	BLUE	20323	31,50
P31-4 WAY CROSS. 100X300 BLUE	484615	300	11,81	3,93	8,66	0,7	0,03	BLUE	30453	47,20
P31-4 WAY CROSS. 100X400 BLUE	484616	400	15,75	5,37	11,83	0,7	0,03	BLUE	40583	62,90
P31-4 WAY CROSS. 100X500 BLUE	484617	500	19,69	7,03	15,49	0,7	0,03	BLUE	50713	78,61

**3. DIMENSIONS (mm/inch)**

■ **3.1 Fitting dimensions**

Description	Width		Radius		L1		L2	
	(mm)	(inch)	(mm)	(inch)	(mm)	(inch)	(mm)	(inch)
P31-4WAY CROSS. 100X100	104	4,09	100	3,94	419	16,50	419	16,50
P31-4WAY CROSS. 100X150	154	6,06	100	3,94	469	18,46	469	18,46
P31-4WAY CROSS. 100X200	204	8,03	100	3,94	519	20,43	519	20,43
P31-4WAY CROSS. 100X300	304	11,97	100	3,94	619	24,37	619	24,37
P31-4WAY CROSS. 100X400	404	15,91	100	3,94	719	28,31	719	28,31
P31-4WAY CROSS. 100X500	504	19,84	100	3,94	819	32,24	819	32,24
P31-4WAY CROSS. 100X600	604	23,78	100	3,94	919	36,18	919	36,18



## 4. INSTALLATION

### ■ 4.1 Screw and tools

Use screws M6x12 tightened at 11Nm

Reference(s): 341895 / 03V1M610Z (PG)

485035 (Zn-Ni)

346895/ 03V1M610L (SS316L)

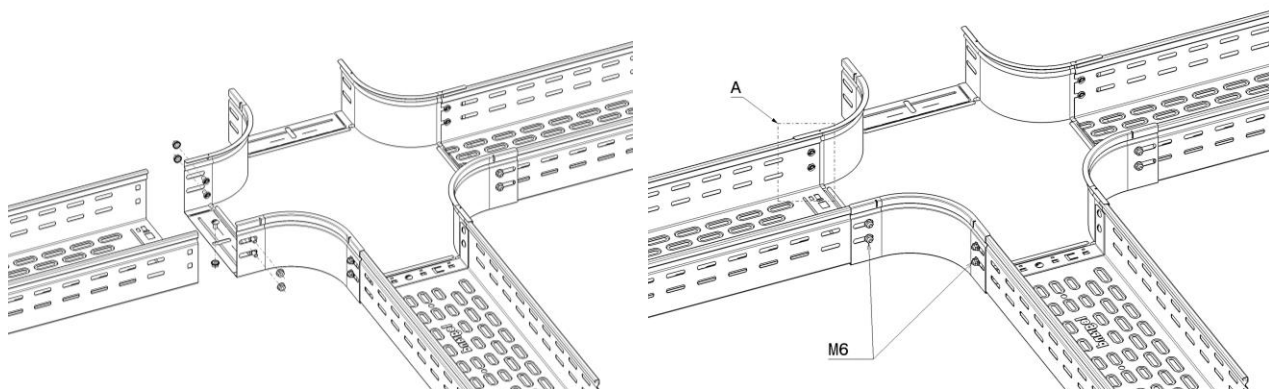
341708 / 31X99X999 (PG)

346474 / 31X99X99X (SS316L)

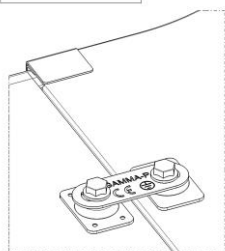
### ■ 4.2 Fitting to cable tray

4 Way Crosspiece height 100 are assembled using 20 screws M6x12 on the side and on the bottom.

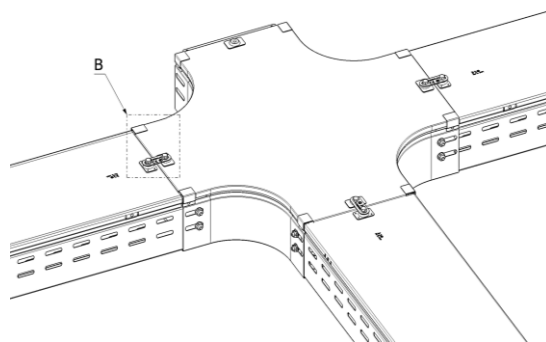
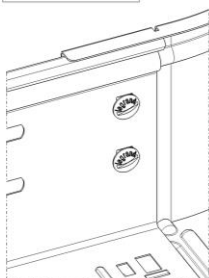
The screws in the middle is optional up to and included width 300mm.



Detail B



Detail A



## 5. TECHNICAL DATA

### ■ 5.1 Climatic characteristics

Storage and operating temperature: - 20° C à + 120° C

### ■ 5.2 Material characteristics

Material finish	Material	Standard	Resistance class against corrosion
PG	DX51D + Z200	EN 10346	Classe 3 - CEI 61537
BLUE	DX51D + Z200	EN 10346	Classe 3 - CEI 61537
HDG	DC 01	EN 10130	Classe 6 - CEI 61537
SS304	X5CrNi18-10	EN 10 088-2	Classe 9A - CEI 61537
SS316L	X2CrNiMo17-12-2	EN 10 088-2	Classe 9B - CEI 61537

## 6. CONFORMITY - CERTIFICATION

Comply with CEI 61537 Cable tray systems

Certification: CE, IMQ