

P31 - INSIDE RISER 45° H50

Reference(s): 4810../08/10/11/12/13/14/15
4819../09/10/11/12-4830../13/14/15



1. USE

Inside riser 45° in H50 with blind bottom.

2. RANGE BLIND

■ 2.1 Inside riser 45° H50 blind PG

Description	Code	Width		Weight		Thickness		Coating	Section	
		(mm)	(inch)	(Kg)	(lb)	(mm)	(inch)		(mm ²)	(inch ²)
P31-INSIDE RISER 45D 50X100 PG	481008	100	3,94	0,26	0,58	0,7	0,03	PG	5181	8,03
P31-INSIDE RISER 45D 50X150 PG	481010	150	5,91	0,33	0,72	0,7	0,03	PG	7708	11,95
P31-INSIDE RISER 45D 50X200 PG	481011	200	7,87	0,39	0,87	0,7	0,03	PG	10273	15,92
P31-INSIDE RISER 45D 50X300 PG	481012	300	11,81	0,52	1,15	0,7	0,03	PG	15403	23,87
P31-INSIDE RISER 45D 50X400 PG	481013	400	15,75	0,65	1,44	0,7	0,03	PG	20533	31,83
P31-INSIDE RISER 45D 50X500 PG	481014	500	19,69	0,78	1,73	0,7	0,03	PG	25663	39,78
P31-INSIDE RISER 45D 50X600 PG	481015	600	23,62	0,91	2,01	0,7	0,03	PG	30793	47,73

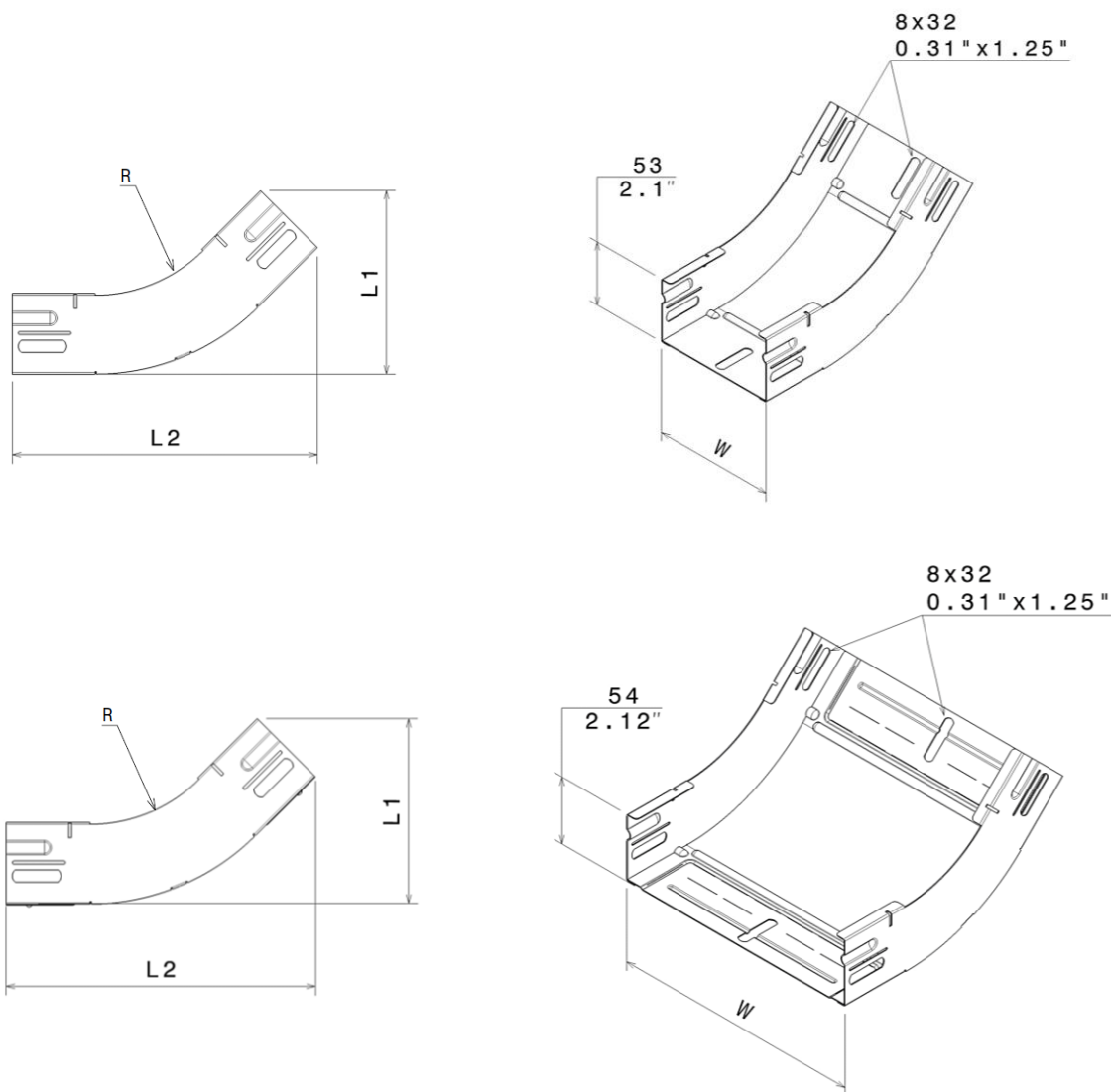
■ 2.2 Inside riser 45° H50 blind HDG

Description	Code	Width		Weight		Thickness		Coating	Section	
		(mm)	(inch)	(Kg)	(lb)	(mm)	(inch)		(mm ²)	(inch ²)
P31-INSIDE RISER 45D 50X100 HDG	481909	100	3,94	0,29	0,64	0,7	0,03	HDG	5181	8,03
P31-INSIDE RISER 45D 50X150 HDG	481910	150	5,91	0,36	0,79	0,7	0,03	HDG	7708	11,95
P31-INSIDE RISER 45D 50X200 HDG	481911	200	7,87	0,43	0,95	0,7	0,03	HDG	10273	15,92
P31-INSIDE RISER 45D 50X300 HDG	481912	300	11,81	0,58	1,27	0,7	0,03	HDG	15403	23,87
P31-INSIDE RISER 45D 50X400 HDG	483013	400	15,75	0,72	1,58	0,7	0,03	HDG	20533	31,83
P31-INSIDE RISER 45D 50X500 HDG	483014	500	19,69	0,86	1,90	0,7	0,03	HDG	25663	39,78
P31-INSIDE RISER 45D 50X600 HDG	483015	600	23,62	1,00	2,21	0,7	0,03	HDG	30793	47,73

3. DIMENSIONS (mm/inch)

■ 3.1 Fitting dimensions

Description	Width		Radius		L1		L2	
	(mm)	(inch)	(mm)	(inch)	(mm)	(inch)	(mm)	(inch)
P31-INSIDE RISER 45D 50X100	102	4,02	100	3,94	121	4,76	202	7,95
P31-INSIDE RISER 45D 50X150	152	5,98	100	3,94	121	4,76	202	7,95
P31-INSIDE RISER 45D 50X200	202	7,95	100	3,94	122	4,80	203	7,99
P31-INSIDE RISER 45D 50X300	302	11,89	100	3,94	122	4,80	203	7,99
P31-INSIDE RISER 45D 50X400	402	15,83	100	3,94	122	4,80	203	7,99
P31-INSIDE RISER 45D 50X500	502	19,76	100	3,94	122	4,80	203	7,99
P31-INSIDE RISER 45D 50X600	602	23,70	100	3,94	122	4,80	203	7,99



4. INSTALLATION

■ 4.1 Screw and tools

Use screws M6x12 tightened at 11Nm

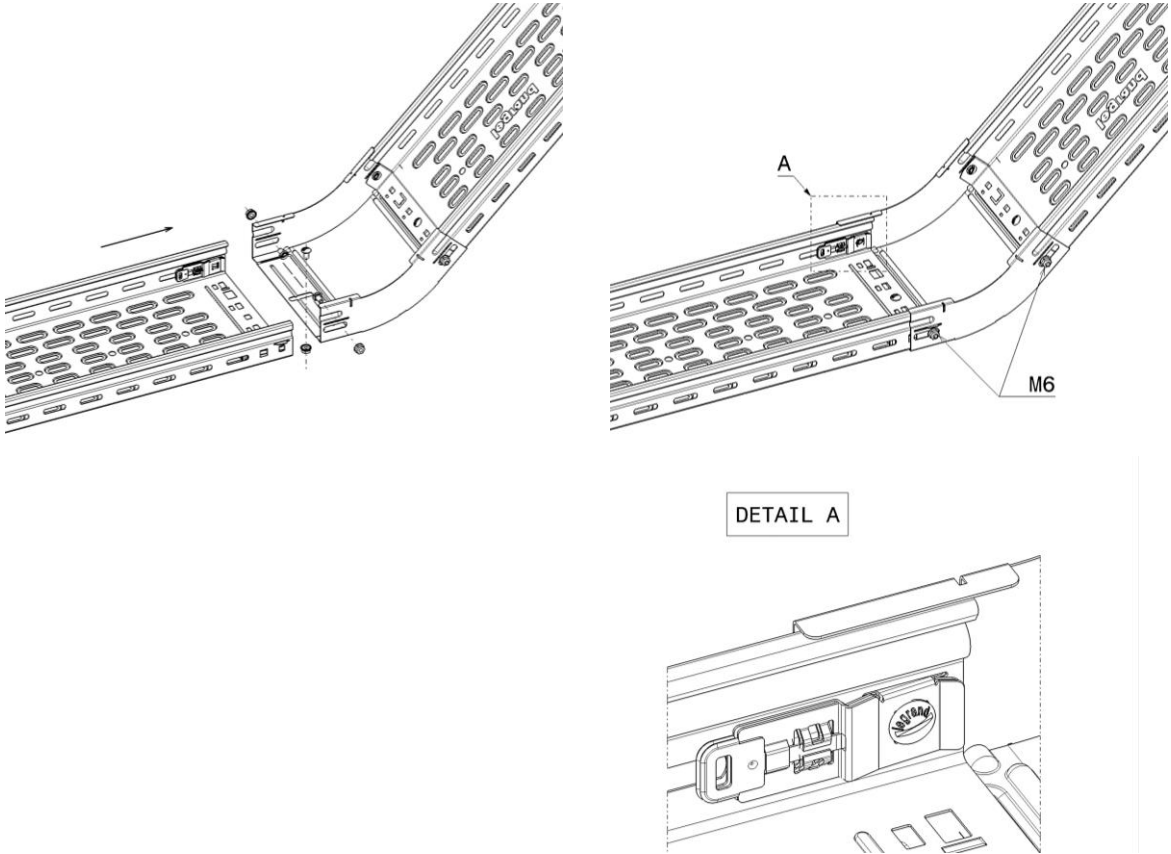
Reference(s): 341895 / 03V1M610Z (PG)

485035 (Zn-Ni)

346895/ 03V1M610L (SS316L)

■ 4.2 Fitting to cable tray

Inside riser height 50 are assembled using 6 screws M6x12 on the side and on the bottom.
The screws in the middle is optional up to and included width 300mm.



5. TECHNICAL DATA

■ 5.1 Climatic characteristics

Storage and operating temperature: - 20° C à + 120° C

■ 5.2 Material characteristics

Material finish	Material	Standard	Resistance class against corrosion
PG	DX51D + Z200	EN 10346	Classe 3 - CEI 61537
BLUE	DX51D + Z200	EN 10346	Classe 3 - CEI 61537
HDG	DC 01	EN 10130	Classe 6 - CEI 61537
SS304	X5CrNi18-10	EN 10 088-2	Classe 9A - CEI 61537
SS316L	X2CrNiMo17-12-2	EN 10 088-2	Classe 9B - CEI 61537

6. CONFORMITY - CERTIFICATION

Comply with CEI 61537 Cable tray systems.

Certification: CE, IMQ